

## HB Series • High Power Inductors

### Features

- High efficiency, high stability inductors
- Robust Construction
- Class F materials
- Manufactured in ISO 9001:2008, ISO/TS 16949:2009 and ISO 14001:2004 certified Talema facility
- Fully RoHS & REACH Compliant

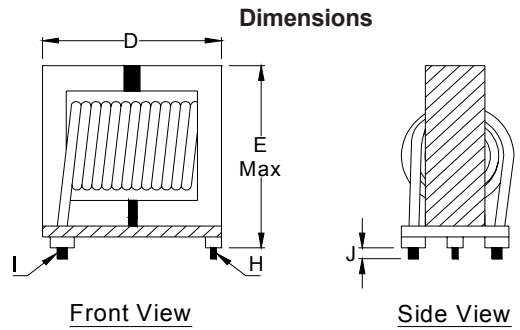
### Application

- Renewable energy
- Battery charger
- Automotive

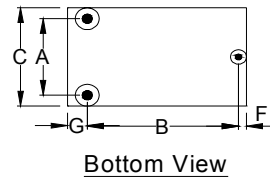


### Electrical Specifications @ 25°C:

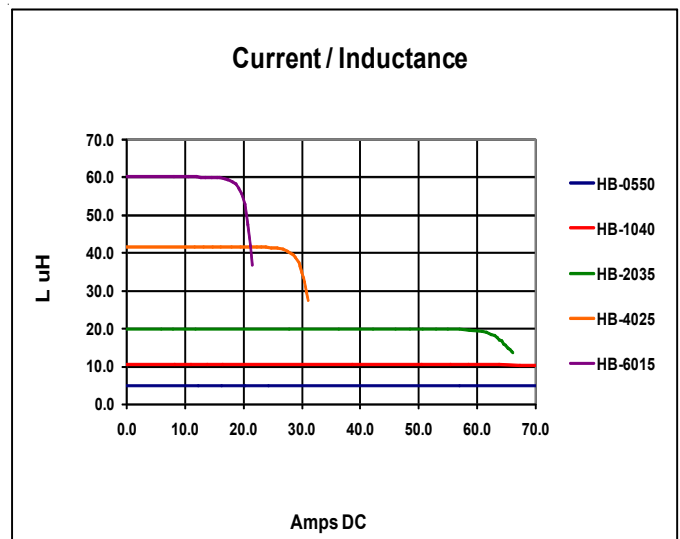
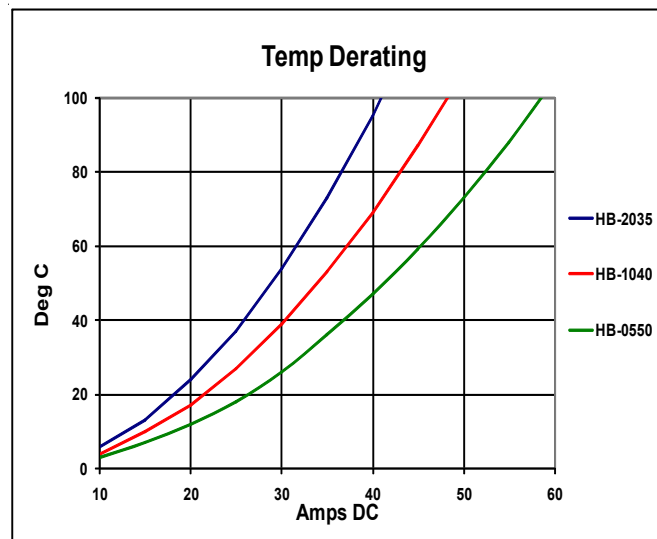
Part Number	Inductance $\mu\text{H}$ $\pm 10\%$	Current Rating Amps DC	DCR (mOhm) Typical
HB-6015	60	15	5.4
HB-4025	40	25	5.4
HB-3030	30	30	5.4
HB-2035	50	35	5.4
HB-1040	10	40	3.9
HB-0550	5	50	2.7



	A	B	C	D	E	F	G	H ( $\theta$ )	I ( $\theta$ )	J
Dimensions in "mm"	21.0	37.0	27.0	45.5	52.0	2.0	5.0	1.30	2.50	3.2



Dimensions in : mm  
Tolerance:  $\pm 0.25$   
unless specified otherwise



### Note:

- Temperature de-rating curves not shown for saturation limited types
- Current Vs Inductance curves are typical at 100°C

**Regional Locations - Design, Manufacturing, Sales & Marketing**

**Talema Group Regional Offices**

**North America**

**United States  
(Sales & Marketing)**

**Talema Group, LLC**  
 PO Box 935  
 900 Innovation Drive  
 Suite 120, Rolla  
 Missouri 65402  
 Tel: +1 573-303-3675  
 E-Mail:  
 sales@talemagroup.com  
 Web: www.talema.com

**Asia**

**India  
(Design, Manufacturing, Sales & Marketing)**

**Administrative Office**  
**Talema Electronic India Private Limited**  
 Door No. 221, 1st and 2nd Floor  
 KJ Plaza, Opp.to Vidya Mandir School  
 Meyanur Main Road  
 Salem - 636 004 Tamil Nadu INDIA.  
 Tel: +91 427 - 243 3100  
 Fax: +91 427 - 243 3109  
 E-Mail: talema@talemaindia.net  
 Web: www.talema.com

**Factory Premises**  
**Talema Electronic India Private Limited**  
 No. 31 & 31, Electronic Industrial Estate  
 Suramangalam Post  
 Salem - 636 005 Tamil Nadu INDIA  
 Tel: +91 427 - 243 3000  
 E-Mail: talema@talemaindia.net  
 Web: www.talema.com

**Europe**

**Germany  
(Design, Sales & Marketing)**

**Talema Elektronik GmbH**  
 Sembdnerstr. 5  
 82110 Germering  
 Tel: +49 89 - 841 00 - 0  
 Fax: +49 89 - 841 00 25  
 E-Mail: info@talema.de  
 Web: www.talema.com

**Ireland  
(Design, Sales & Marketing)**

**Nuvotem TEO**  
 Units W & X, Gweedore Business Park  
 Derrybeg, Letterkenny, Co. Donegal  
 Tel: +353 (0) 74 95 48666  
 Fax: +353 (0) 74 95 48139  
 E-Mail: info@nuvotem.com  
 Web: www.nuvotem.com

**Czech Republic  
(Design, Manufacturing, Sales & Marketing)**

**NT Magnetics s.r.o.**  
 Chebská 27  
 322 00 Plzeň  
 Tel: +420 377 - 338 351  
 Fax: +420 377 - 338 350  
 E-Mail: talema@talema.cz  
 Web: www.ntmagnetics.cz

**Locations of Talema Group Regional Offices**

