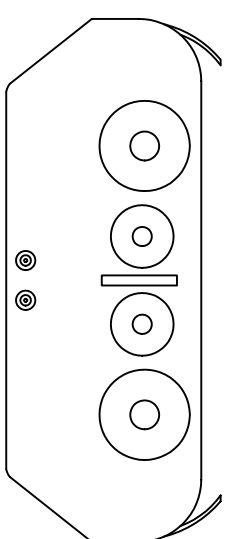
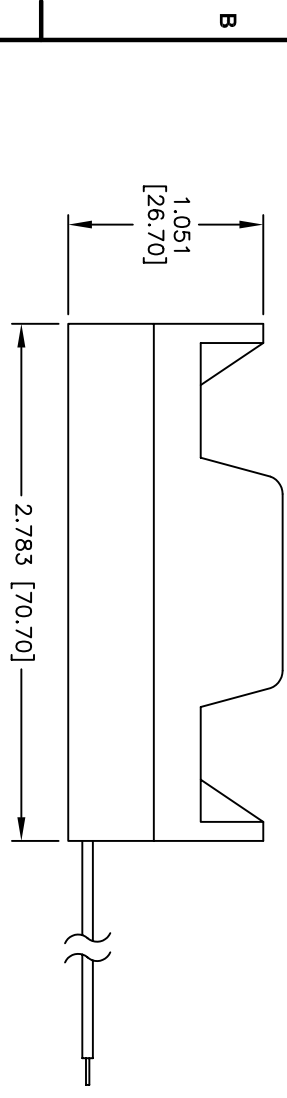
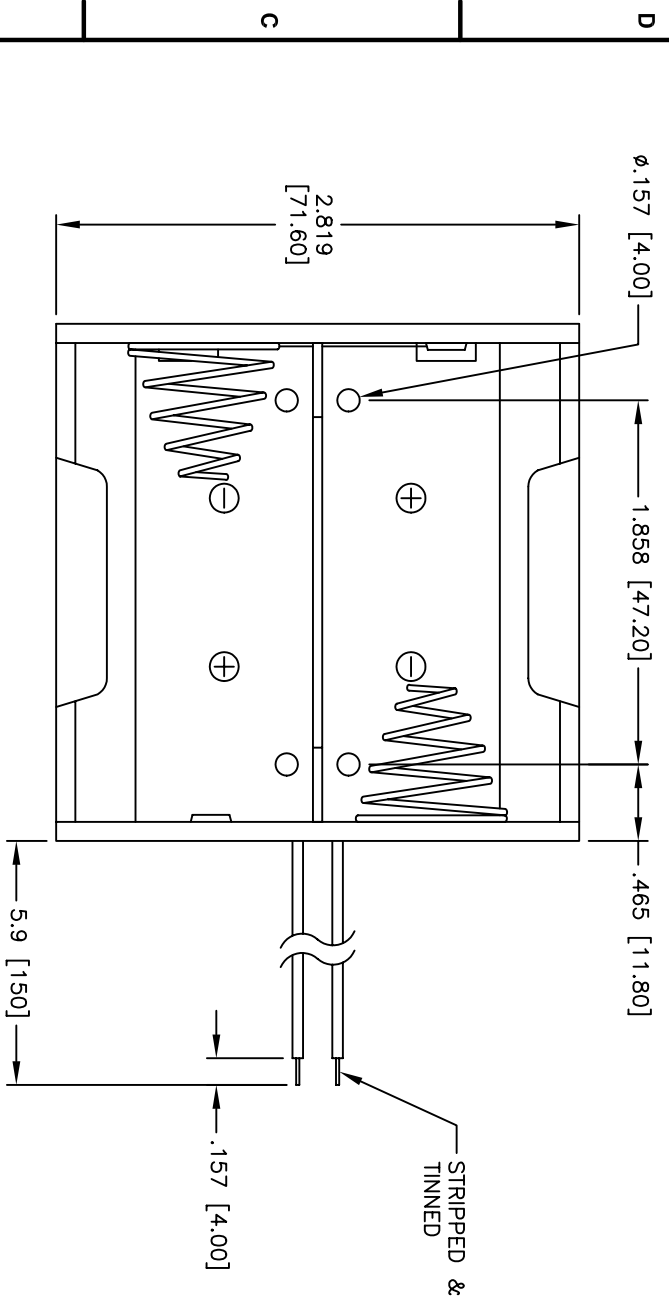


APPROVED: _____
 DATE: _____ TITLE: _____

Rev	AWO #	Description	Date	Appr
-		RELEASED	1/21/05	



SPECIFICATIONS:

Material:
 Insulator: Impact resistant Polypropylene, rated UL94-HB
 Insulator color: Black
 Springs: Steel, Nickel plated
 Contacts: Steel, Nickel plated
 Wire: 26 AWG, PVC

Electrical:
 Operating voltage: 1.5 VDC max.
 Temperature Rating:
 Operating temperature: -10°C to +80°C

Environmental:
 Lead free, RoHS compliant



UNLESS OTHERWISE SPECIFIED
 ALL DIMENSIONS ARE INCHES [MM]
 TOLERANCES: EXCEPT AS NOTED

INCHES	HOLES
.X ± .10	ØX ± .10
.XX ± .020	ØXX ± .015
.XXX ± .015	ØXXX ± .010

APPROVALS

DATE	DATE
SS	1/21/05

ADAM TECH
 909 Rahway Avenue, Union, NJ 07083
 Phone: 908-687-5000 Fax: 908-687-5710

TITLE: BATTERY HOLDER, WIRE LEADS
 FOR TWO "D" CELLS

SIZE	PART NO.	REV.
X	BH-194	-

REF: SCALE: NTS SHEET 1 OF 1