

PLEASE CHECK WWW.MOLEX.COM FOR LATEST PART INFORMATION

Part Number: [0678038021](#)
Status: **Active**
Overview: [usb_otg_onthego](#)
Description: Universal Serial Bus (USB) On-The-Go (OTG) Mini-AB Receptacle, Right Angle, Surface Mount Solder Tails and Shell Tabs, with Plastic Pegs, Color Gray, Lead Free

Documents:

[3D Model](#) [Product Specification PS-67803-001 \(PDF\)](#)
[Drawing \(PDF\)](#) [RoHS Certificate of Compliance \(PDF\)](#)

General

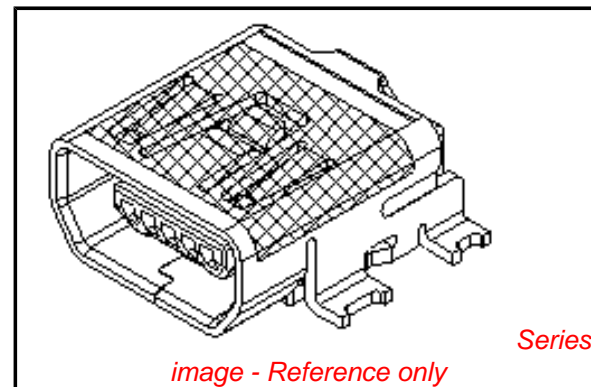
Product Family	I/O Connectors
Series	67803
Application	Wire-to-Board
Component Type	Receptacle
Overview	usb_otg_onthego
Product Name	USB, USB OTG (On-The-Go)
Type	Mini-AB (OTG)

Physical

Boot Color	N/A
Circuits (Loaded)	5
Circuits (maximum)	5
Color - Resin	Gray
Lock to Mating Part	Yes
Material - Metal	Copper Alloy
Material - Plating Mating	Gold
Material - Plating Termination	Tin
Material - Resin	Nylon
Number of Rows	1
Orientation	Right Angle
PCB Locator	Yes
PCB Retention	Yes
Packaging Type	Embossed Tape on Reel
Panel Mount	No
Pitch - Mating Interface (in)	0.031 In
Pitch - Mating Interface (mm)	0.80 mm
Pitch - Term. Interface (in)	0.031 In
Pitch - Term. Interface (mm)	0.80 mm
Plating min: Mating (µin)	30
Plating min: Mating (µm)	0.75
Plating min: Termination (µin)	150
Plating min: Termination (µm)	3.80
Polarized to Mating Part	Yes
Polarized to PCB	Yes
Ports	1
Temperature Range - Operating	0°C to +50°C
Termination Interface: Style	Surface Mount
Waterproof / Dustproof	No
Wire Size AWG	N/A

Electrical

Current - Maximum per Contact	1A
Shielded	Yes
Voltage - Maximum	30V



EU RoHS

**ELV and RoHS
Compliant**

REACH SVHC

Contains SVHC: No

Halogen-Free

Status

Not Reviewed

China RoHS



**Need more information on product
environmental compliance?**

Email productcompliance@molex.com
 For a multiple part number RoHS Certificate of Compliance, [click here](#)

Please visit the [Contact Us](#) section for any non-product compliance questions.

Search Parts in this Series

[67803Series](#)

Mates With

USB OTG mini-A plug, USB OTG mini-B plug, [88753](#) Cable Assembly

Solder Process Data

Lead-free Process Capability
Process Temperature max. C

Reflow Capable (SMT only)
250

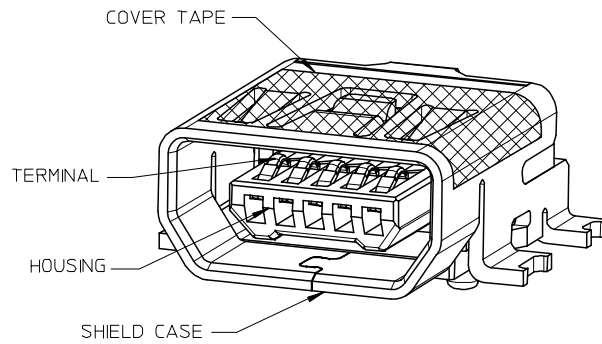
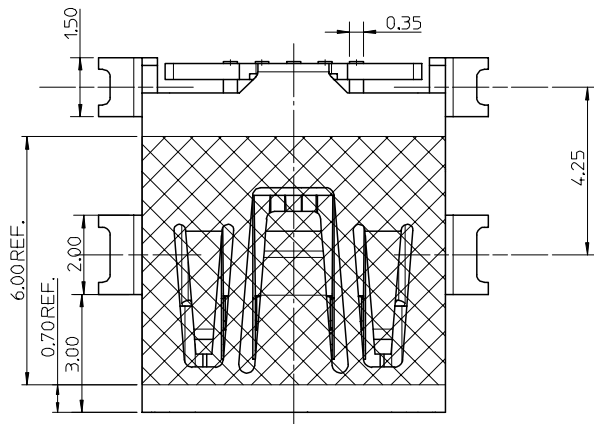
Material Info**Reference - Drawing Numbers**

Packaging Specification
Product Specification
Sales Drawing

PK-67503-001
PS-67803-001
SD-67803-002

This document was generated on 05/19/2010

PLEASE CHECK WWW.MOLEX.COM FOR LATEST PART INFORMATION



NOTE :

1. MATERIAL :

HOUSING : NYLON GLASS FILLED , GRAY,UL94V-0
 TERMINAL : COPPER ALLOY THICKNESS = 0.2 MM
 SHIELD CASE : COPPER ALLOY THICKNESS = 0.4 MM

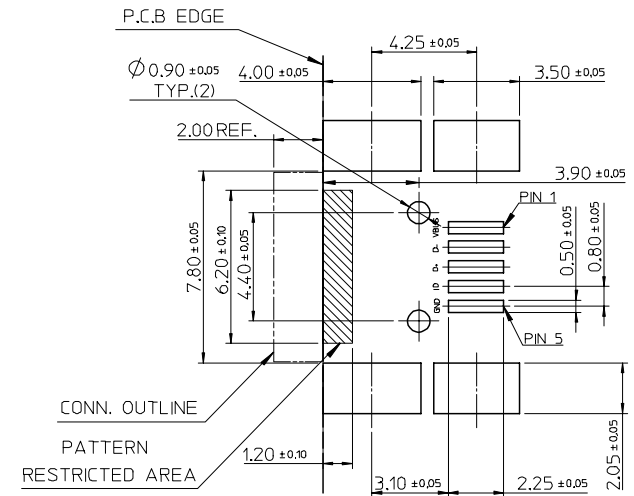
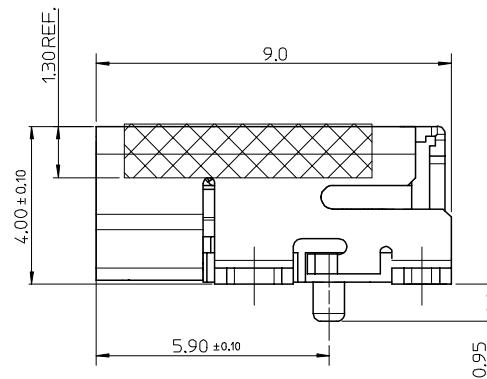
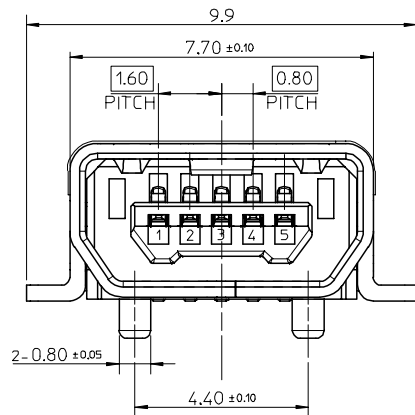
2. PLATING :

TERMINAL:
 CONTACT AREA : GOLD 0.75 MICROMETER MINIMUM.
 SOLDER TAIL AREA : PURE TIN 3.8 MICROMETER MINIMUM.
 UNDER PLATING : NICKEL 1.25 MICROMETER MINIMUM.

SHIELD CASE :

PURE TIN 1~3 MICROMETER MINIMUM.
 UNDER PLATING : NICKEL 1.0 MICROMETER MINIMUM.

3. TAIL & NAIL COPLANARITY 0.1 mm MAXIMUM.



RECOMMENDED P.C.B. PATTERN LAYOUT

COMPONENT	REMARK
P/N	
67803-8020	WITH COVER TAPE
67803-8021	WITHOUT COVER TAPE

REVISE	DESCRIPTION
EC NO: SH2006-0852	
DRWN: J SONG	2006/06/30
CHKD: WANG	2006/07/04
APPR: INCHEH	2006/07/05

QUALITY SYMBOLS	QUALITY SYMBOLS
▽=0	▽=0
△=0	△=0

GENERAL TOLERANCES (UNLESS SPECIFIED)	MM ONLY	INCH
4 PLACES	± ---	± ---
3 PLACES	± ---	± ---
2 PLACES	± 0.25	± ---
1 PLACE	± 0.25	± ---
ANGULAR ± 3 °		
DRAFT WHERE APPLICABLE MUST REMAIN WITHIN DIMENSIONS		

DIMENSION STYLE	SCALE	DESIGN UNITS	THIRD ANGLE PROJECTION
MM ONLY	8:1	METRIC	
DRAWN BY	DATE	TITLE	
JACK	2004/11/23	USB SERIES MINI-AB REC. ASS'Y SMT TYPE (LEAD-FREE)	
CHECKED BY	DATE		
HARVEY	2004/11/23		
APPROVED BY	DATE		
YTYAP	2004/11/23		
MATERIAL NO.	DOCUMENT NO.	SHEET NO.	
SEE TABLE	SD-67803-002	1 OF 1	

SIZE	THIS DRAWING CONTAINS INFORMATION THAT IS PROPRIETARY TO MOLEX INCORPORATED AND SHOULD NOT BE USED WITHOUT WRITTEN PERMISSION	
A3		