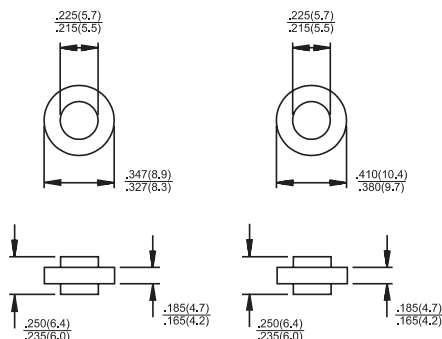




## Features

- ✧ Plastic material used carries Underwriters Laboratory Classification 94V-0
- ✧ Low cost construction utilizing void-free molded plastic technique
- ✧ Low cost
- ✧ Diffused junction
- ✧ Low leakage
- ✧ High surge capability
- ✧ High temperature soldering guaranteed: 260°C for 10 seconds



## Mechanical Data

- ✧ Case: Molded plastic case
- ✧ Terminals: Pure tin plated, lead free., solderable per MIL-STD-202, Method 208
- ✧ Polarity: Color ring denotes cathode
- ✧ Weight: 0.07 ounce, 1.8 grams
- ✧ Mounting position: Any

Dimensions in inches and (millimeters)

## Maximum Ratings and Electrical Characteristics

Rating at 25 °C ambient temperature unless otherwise specified.

Single phase, half wave, 60 Hz, resistive or inductive load.

For capacitive load, derate current by 20%

Type Number	Symbol	ARS 35A	ARS 35B	ARS 35D	ARS 35G	ARS 35J	ARS 35K	ARS 35M	Units
		AR 35A	AR 35B	AR 35D	AR 35G	AR 35J	AR 35K	AR 35M	
Maximum Recurrent Peak Reverse Voltage	$V_{RRM}$	50	100	200	400	600	800	1000	V
Maximum RMS Voltage	$V_{RMS}$	35	70	140	280	420	560	700	V
Maximum DC Blocking Voltage	$V_{DC}$	50	100	200	400	600	800	1000	V
Maximum Average Forward Rectified Current @ $T_c = 150^\circ\text{C}$	$I_{(AV)}$	35							A
Peak Forward Surge Current, 8.3 ms Single Half Sine-wave Superimposed on Rated Load (JEDEC method ) at $T_j = 150^\circ\text{C}$	$I_{FSM}$	500							A
Maximum Instantaneous Forward Voltage @ 35A	$V_F$	1.0							V
Maximum DC Reverse Current @ $T_c = 25^\circ\text{C}$ at Rated DC Blocking Voltage @ $T_c = 125^\circ\text{C}$	$I_R$	5.0 250							$\mu\text{A}$ $\mu\text{A}$
Typical Reverse Recovery Time (Note 2)	$T_{rr}$	3.0							$\mu\text{s}$
Typical Junction Capacitance ( Note 1 ) $T_j = 25^\circ\text{C}$	$C_j$	300							pF
Typical Thermal Resistance ( Note 3 )	$R_{\theta JC}$	1.0							$^\circ\text{C}/\text{W}$
Operating and Storage Temperature Range	$T_j, T_{STG}$	-50 to +175							$^\circ\text{C}$

- Notes:
1. Measured at 1 MHz and Applied Reverse Voltage of 4.0 V D.C.
  2. Reverse Recovery Test Conditions:  $I_F = 0.5\text{A}$ ,  $I_R = 1.0\text{A}$ ,  $I_{RR} = 0.25\text{A}$
  3. Thermal Resistance from Junction to Case, Single Side Cooled.

## RATINGS AND CHARACTERISTIC CURVES (AR(S)35 SERIES)

FIG.1- MAXIMUM FORWARD CURRENT DERATING CURVE

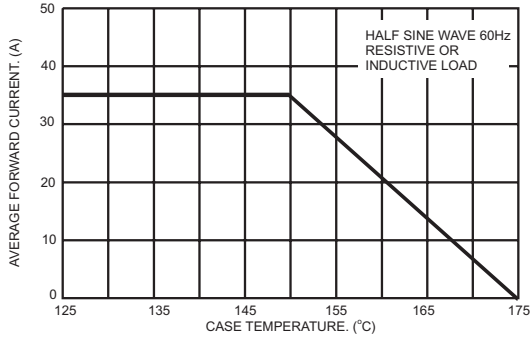


FIG.2- TYPICAL REVERSE CHARACTERISTICS

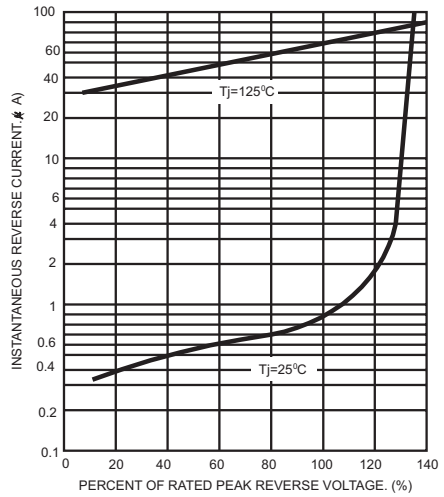


FIG.3- MAXIMUM NON-REPETITIVE PEAK FORWARD SURGE CURRENT

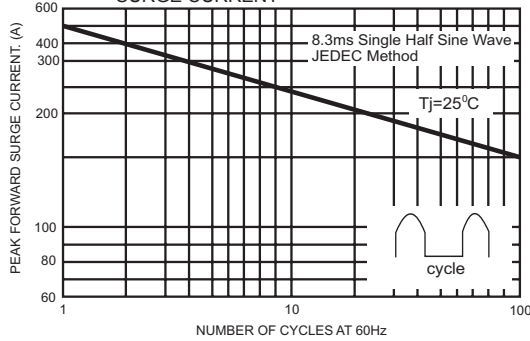


FIG.5- TYPICAL FORWARD CHARACTERISTICS

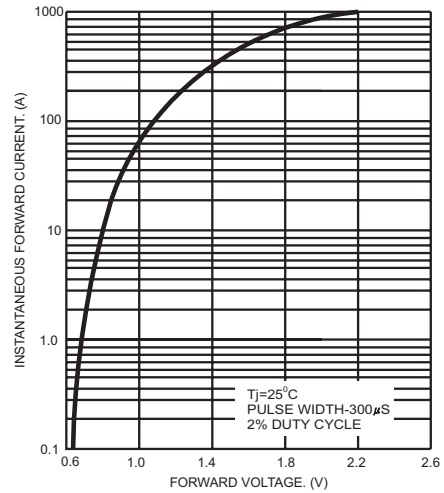


FIG.4- TYPICAL JUNCTION CAPACITANCE

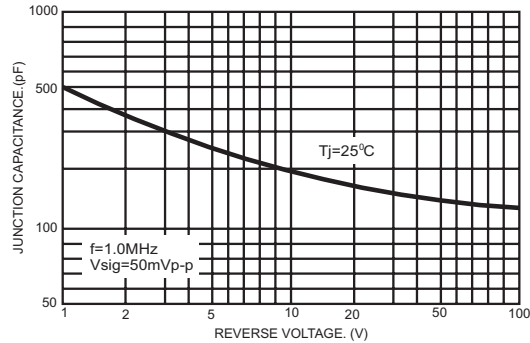


FIG.6- REVERSE RECOVERY TIME CHARACTERISTIC AND TEST CIRCUIT DIAGRAM

