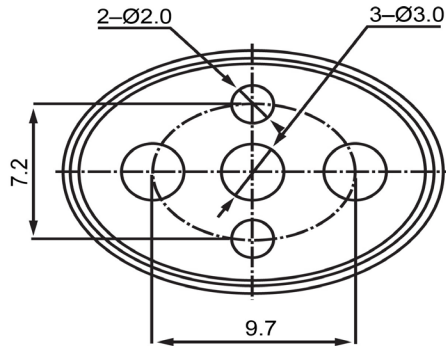
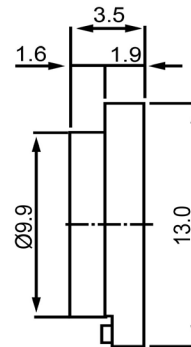


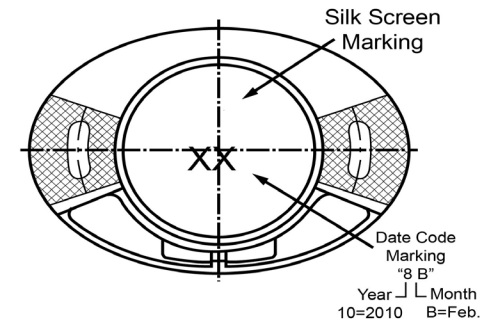
TOP VIEW





SIDE VIEW



BOTTOM VIEW



Specifications			Notes	Revision History							
Description	Value	Unit		Version	Description		Date	Approved			
Shape	Oval		1) All dimensions are in mm unless otherwise noted 2) All parts meet RoHS	1	Released from Engineering		2/5/2014	J.S			
Resonant Frequency	850	(Hz)									
Frequency Range	200 ~ 10,000	(Hz)									
SPL @ 10cm	89	(dBA)									
Impedance	8	(Ohm)									
Cone Material	Mylar										
Nominal Power	0.8	(W)									
Max Power	1	(W)									
Mount Type	Flush Mount										
Operating Temperature	- 30 ~ + 70	°C									
Storage Temperature	- 30 ~ + 70	°C									
Weight	1.3	(g)									
 DB UNLIMITED			 DB UNLIMITED			Dynamic Speaker			SM180808-1		
						Drawn by: G.W. Date: 10/31/2013 Checked by: C.E. Date: 10/21/2013 Approved by: J.S Date: 2/5/2014					