

M85049/28
EMI/RFI Strain-Relief Backshell
 for Superceded M83733/15

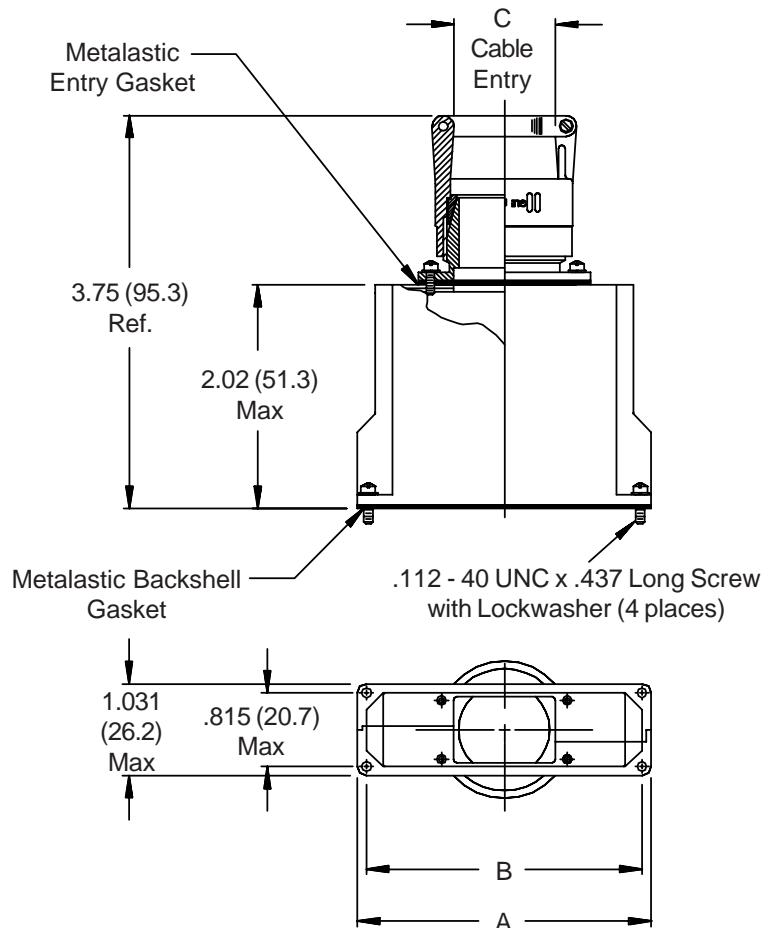


MIL-C-83733
 Backshells

M85049/28-2
 Basic Part No. _____
 Dash No. _____

Superceded Part Number

M83733/15-2
 Basic Part No. _____
 Dash No. _____



| TABLE I: CONNECTOR INTERFACE & CABLE ENTRY | | | | |
|--|--------------|--------------|---------------|-------------|
| Dash No. | A Max | B Max | C Cable Entry | |
| | | | Min | Max |
| 1 | 2.126 (54.0) | 1.900 (48.3) | .500 (12.7) | .625 (15.9) |
| 2 | 2.126 (54.0) | 1.900 (48.3) | .625 (15.9) | .750 (19.1) |
| 3 | 3.426 (87.0) | 3.200 (81.3) | .500 (12.7) | .625 (15.9) |
| 4 | 3.426 (87.0) | 3.200 (81.3) | .625 (15.9) | .750 (19.1) |

1. For complete dimensions see applicable Military Specification.
2. Metric dimensions (mm) are indicated in parentheses.
3. Cable entry is defined as the accommodation range for the wire bundle or cable. Dimensions shown are not intended for inspection criteria.