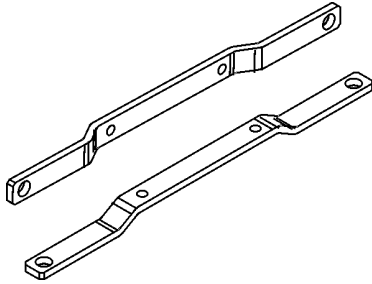


1. GENERAL DESCRIPTION

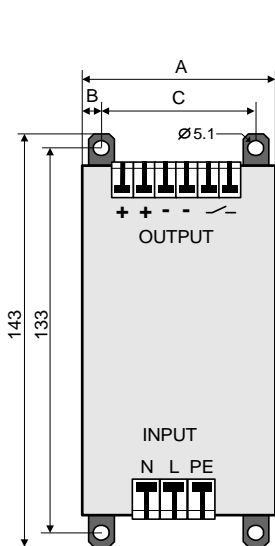


BRACKET FOR WALL MOUNTING

This bracket is used to mount the unit onto a flat surface without utilizing a DIN-Rail.

The bracket is suitable for all DIMENSION units, which have the bracket listed as an accessory in the device datasheets.

2. DIMENSIONS AND INSTALLATION DATA



	A	B	C
CD5	32mm	4.8mm	22.5mm
CS3	32mm	4.8mm	22.5mm
CS5	32mm	4.8mm	22.5mm
CS10	60mm	5.8mm	48.5mm
CT5	40mm	5.0mm	30.0mm
CT10	62mm	5.7mm	50.6mm
QS3	32mm	4.8mm	22.5mm
QS5	40mm	5.3mm	29.5mm
QS10	60mm	5.8mm	48.5mm
QT20	65mm	6.3mm	40.0mm
QTD20	65mm	6.3mm	40.0mm
QS20	82mm	8.0mm	66.0mm
QS20.244	70mm	8.0mm	54.0mm
UF20	64mm	12.0mm	40.0mm
UB10	49mm	5.3mm	38.4mm
YR2	32mm	4.8mm	22.5mm
YRM2	2mm	4.8mm	22.5mm

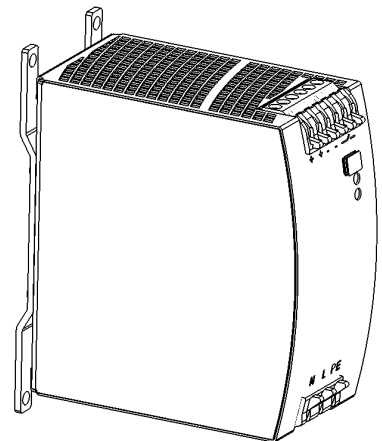
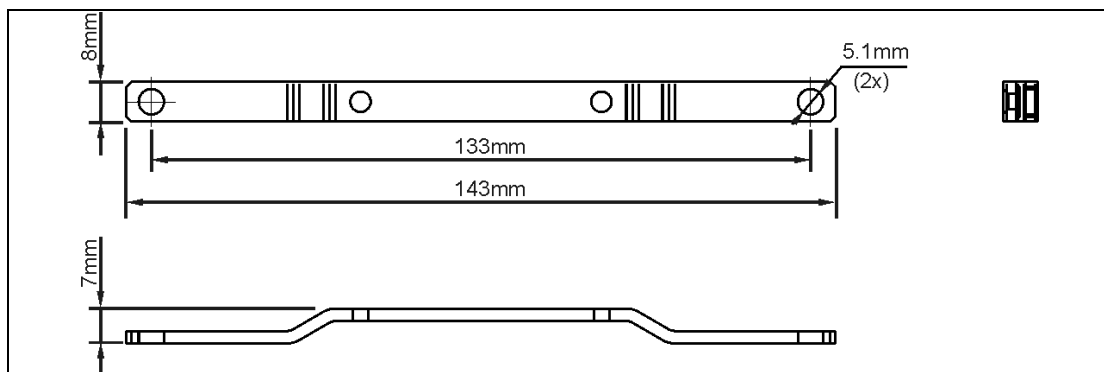
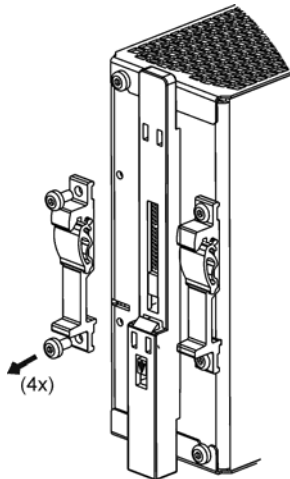


Fig. 2-1 Physical dimensions



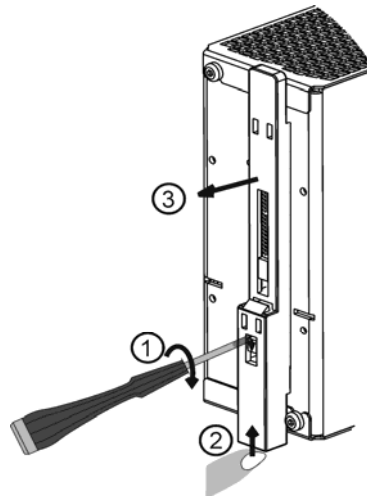
3. ASSEMBLY AND MOUNTING INSTRUCTIONS

Fig. 3-1 Detaching DIN-Rail brackets



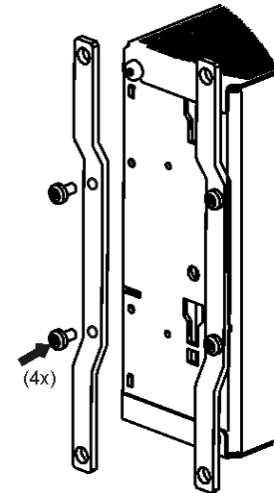
Detach the two aluminium brackets by removing the four screws with a Torx screwdriver (Torx 10).

Fig. 3-2 Detach slide



Remove the plastic lock mechanism by using a flat-blade screwdriver to move the lock downwards while at the same time push the plastic slider upwards. Detach the plastic slider.

Fig. 3-3 Mounting steel bracket



Mount the steel brackets with the same screws from the DIN-Rail brackets. Be careful not to over-tighten the screws! Recommended tightening torque is 0.6Nm/ 5.3lb.in.

⚠ WARNING

Risk of electrical shock, fire, personal injury or death.
Do not use other screws than the one from the DIN-Rail bracket. The unit might become unsafe when using longer screws as contact with live electrical circuits may occur.

4. ORDER NUMBERS

Accessory **ZM1.WALL** Wall-mounting Bracket Kit (2pcs.)