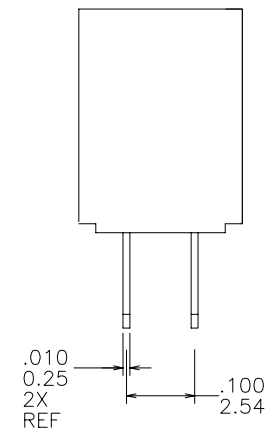
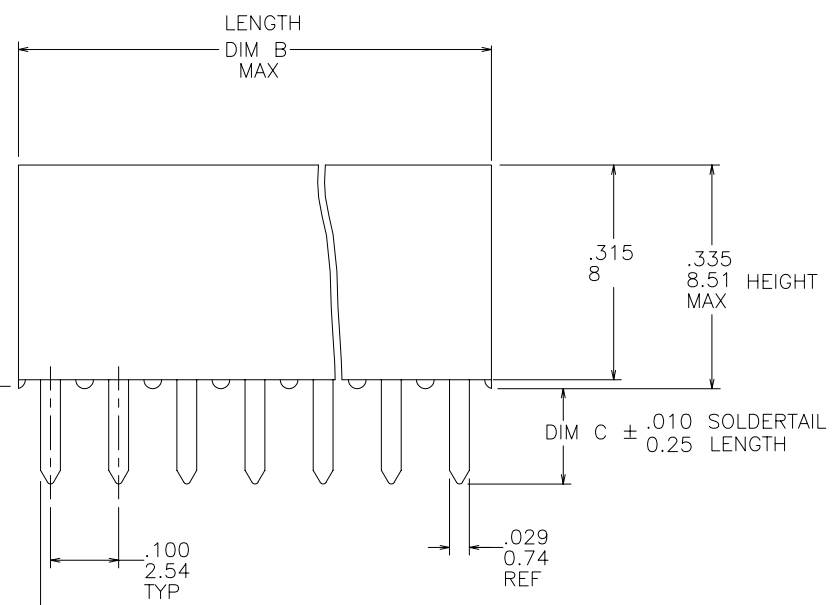
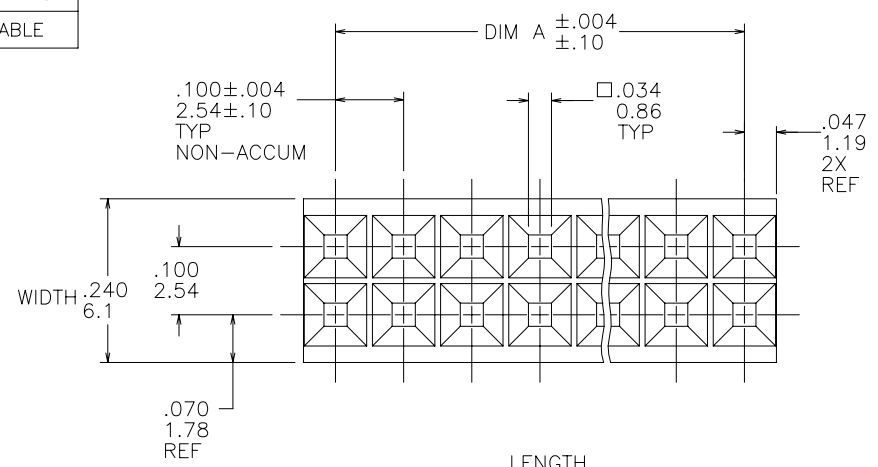




FCIconnect.com

Copyright FCI

PRODUCT NO.
SEE TABLE



.005/.13 X
TYP

mat'l. code SEE NOTE 1 & 2		surface ISO 1302 ✓	tolerance ISO 406 ISO 1101	projection ⊕	product family CARD CONN														
ltr	ecn	no	dr	date	tolerances unless otherwise specified														
N	V41514	LSS	11/15/94	angles	.XX±.01/.X±.3														
P	V70080	MDF	2/27/97	linear	.XXX±.0.005/.XX±.13														
R	V94468	MDF	1/11/00	0'±2'	.XXXX±.0020/.XXX±.051														
S	v03-1072	LP	9/25/03	dr	M.CLOUSER 3/25/94														
T	M05-0216	ERE	10/11/05	engr	H. SUNDY 3/25/94														
U	M06-0210	MHT	6/03/06	chr	H. SUNDY 3/25/94														
V	M07-0143	ERE	03/03/07	appd	H. SUNDY 3/25/94														
sheet	revision	V	V	V	V	V	V												
index	sheet	1	2	3	4	5	6												



title
VERT. CARD CONNECTOR
.100/2.54 CTR., DBL ROW

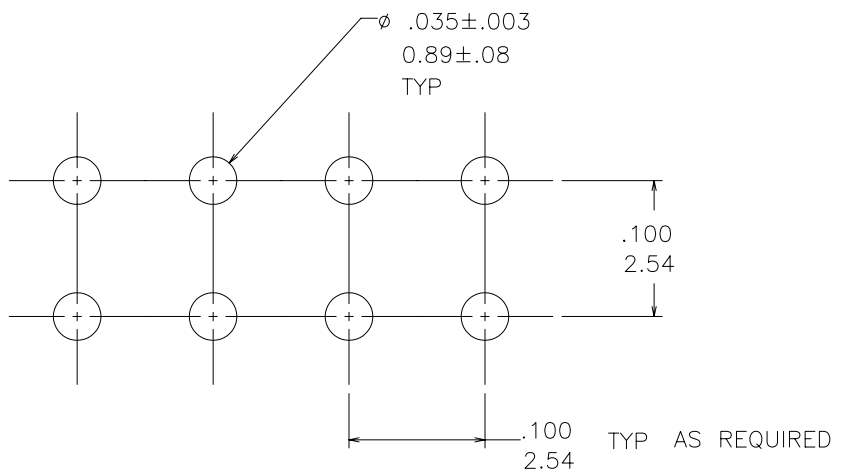
dwg no
65781

sheet 1 of 6 size
A3

type Product Customer Drawing

form: A3

PRODUCT NO.
SEE TABLE



RECOMMENDED HOLE PATTERN
SCALE 4:1

NOTES:

- ① HOUSING MAT'L: FILLED POLYESTER.
FLAME RETARDANT PER UL 94V-0.
COLOR: BLACK.
- ② TERMINAL MATERIAL AND PLATING: SEE TABULATION.
3. RECOMMENDED PIN SIZE: .025±.001/.64±.03 SQUARE.
RECOMMENDED PIN LENGTH: .210±.020/5.33±.51.
4. MARK FCJ PART NUMBER AND DATE CODE LEGIBLE
ON TUBE LABEL.
- ⑤ ADD "LF" SUFFIX AT THE END OF PART NUMBER
FOR LEAD FREE OPTION.
- ⑥ THESE PRODUCTS MEET EUROPEAN UNION DIRECTIVES
AND OTHER COUNTRY REGULATIONS AS DESCRIBED
IN GS-22-008.
7. THIS PART WILL WITHSTAND EXPOSURE TO 260°C PEAK
TEMPERATURE FOR 20 SECONDS IN WAVE SOLDER,
INFRA-RED OR VAPOR PHASE SOLDER PROCESS.
- ⑧ "THIS PRODUCT HAS 100% TIN PLATING IN THE
INTERFACE AND HAS NOT BEEN TESTED FOR WHISKER
GROWTH IN ALL INTERCONNECT ENVIRONMENTS."



Copyright FCJ

mat'l. code		surface ISO 1302 ✓		tolerance ISO 406 ISO 1101		projection ⊕		product family CARD CONN	
ltr	ecn	no	dr	date		tolerances unless otherwise specified		title	
V						.XX±.01/.X±.3		VERT. CARD CONNECTOR	
						linear .XXX±.0.005/.XX±.13		.100/2.54 CTR., DBL ROW	
						0'±2'		scale 4:1	
						.XXXX±.0020/.XXX±.051		dwg no	
				dr		M.CLOUSER 3/25/94		sheet 2 of 6 size	
				enr		H. SUNDY 3/25/94		65781 A3	
				chr		H. SUNDY 3/25/94		type	
				appd		H. SUNDY 3/25/94		Product Customer Drawing	
sheet index		revision sheet							

PRODUCT NUMBER	SIZE	DIM A	DIM B	MATERIAL AND PLATING	DIM C	LEAD FREE OPTION
65781-001				UNASSIGNED		
-002	2X2	.100 / 2.54	.200 / 5.08	BODY MAT'L: BRASS, BODY PLATING: 40u"/1.02u MIN THICK C.I. GOLD INSIDE CONTACT AREA, 2u"/.051u GOLD FLASH MIN ON REST OF TERMINAL BODY, OVER 50u"/ 1.27u MIN NICKEL SPRING MAT'L: BeCu HEAT TREATED SPRING PLATING: GOLD FLASH	.140/3.56	NOTE 5,6
-003	2X3	.200 / 5.08	.300 / 7.62			
-004	2X4	.300 / 7.62	.400 / 10.16			
-005	2X5	.400 / 10.16	.500 / 12.70			
-006	2X6	.500 / 12.70	.600 / 15.24			
-007	2X7	.600 / 15.24	.700 / 17.78			
-008	2X8	.700 / 17.78	.800 / 20.32			
-009	2X9	.800 / 20.32	.900 / 22.86			
-010	2X10	.900 / 22.86	1.000 / 25.40			
-011	2X11	1.000 / 25.40	1.100 / 27.94			
-012	2X12	1.100 / 27.94	1.200 / 30.48			
-013	2X13	1.200 / 30.48	1.300 / 33.02			
-014	2X14	1.300 / 33.02	1.400 / 35.56			
-015	2X15	1.400 / 35.56	1.500 / 38.10			
-016	2X16	1.500 / 38.10	1.600 / 40.64			
-017	2X17	1.600 / 40.64	1.700 / 43.18			
-018	2X18	1.700 / 43.18	1.800 / 45.72			
-019	2X19	1.800 / 45.72	1.900 / 48.26			
-020	2X20	1.900 / 48.26	2.000 / 50.80			
-021	2X21	2.000 / 50.80	2.100 / 53.34			
-022	2X22	2.100 / 53.34	2.200 / 55.88			
-023	2X23	2.200 / 55.88	2.300 / 58.42			
-024	2X24	2.300 / 58.42	2.400 / 60.96			
-025	2X25	2.400 / 60.96	2.500 / 63.50			
-026	2X26	2.500 / 63.50	2.600 / 66.04			
-027	2X27	2.600 / 66.04	2.700 / 68.58			
-028	2X28	2.700 / 68.58	2.800 / 71.12			
-029	2X29	2.800 / 71.12	2.900 / 73.66			
-030	2X30	2.900 / 73.66	3.000 / 76.20			
-031	2X31	3.000 / 76.20	3.100 / 78.74			
-032	2X32	3.100 / 78.74	3.200 / 81.28	BODY MAT'L: BRASS, BODY PLATING: 40u"/1.02u MIN THICK C.I. GOLD INSIDE CONTACT AREA, 2u"/.051u GOLD FLASH MIN ON REST OF TERMINAL BODY, OVER 50u"/ 1.27u MIN NICKEL SPRING MAT'L: BeCu HEAT TREATED SPRING PLATING: GOLD FLASH		
-033	2X33	3.200 / 81.28	3.300 / 83.82			
-034	2X34	3.300 / 83.82	3.400 / 86.36			
-035	2X35	3.400 / 86.36	3.500 / 88.90			
65781-036	2X36	3.500 / 88.90	3.600 / 91.44		.140/3.56	NOTE 5,6

OBS



Copyright FCI

mat'l. code		surface ISO 1302 <input checked="" type="checkbox"/>	tolerance ISO 406 ISO 1101	projection 	product family CARD CONN
ltr	ecn no	dr	date	tolerances unless otherwise specified	title
V				linear .XX±.01/.X±.3	VERT. CARD CONNECTOR
				linear .XXX±.0.005/.XX±.13	.100/2.54 CTR., DBL ROW
				linear .XXXX±.0020/.XXX±.051	scale 4:1
		dr	M.CLOUSER	3/25/94	dwg no
		enr	H. SUNDY	3/25/94	sheet 3 of 6 size
		chr	H. SUNDY	3/25/94	65781 A3
		appd	H. SUNDY	3/25/94	type Product Customer Drawing
sheet index	revision sheet				

PRODUCT NUMBER	SIZE	DIM A	DIM B	MATERIAL AND PLATING	DIM C	LEAD FREE OPTION
65781-037				UNASSIGNED		
-038	2X2	.100 / 2.54	.200 / 5.08	BRASS 100u"/2.54u THICK SN PLATE SPRING MAT'L: BeCu HEAT TREATED SPRING PLATING: 30u"/76u MIN ELECTROLESS TIN	.140/3.56	OBS NOTES 5,6,8
-039	2X3	.200 / 5.08	.300 / 7.62			
-040	2X4	.300 / 7.62	.400 / 10.16			
-041	2X5	.400 / 10.16	.500 / 12.70			
-042	2X6	.500 / 12.70	.600 / 15.24			
-043	2X7	.600 / 15.24	.700 / 17.78			
-044	2X8	.700 / 17.78	.800 / 20.32			
-045	2X9	.800 / 20.32	.900 / 22.86			
-046	2X10	.900 / 22.86	1.000 / 25.40			
-047	2X11	1.000 / 25.40	1.100 / 27.94			
-048	2X12	1.100 / 27.94	1.200 / 30.48			
-049	2X13	1.200 / 30.48	1.300 / 33.02			
-050	2X14	1.300 / 33.02	1.400 / 35.56			
-051	2X15	1.400 / 35.56	1.500 / 38.10			
-052	2X16	1.500 / 38.10	1.600 / 40.64			
-053	2X17	1.600 / 40.64	1.700 / 43.18			
-054	2X18	1.700 / 43.18	1.800 / 45.72			
-055	2X19	1.800 / 45.72	1.900 / 48.26			
-056	2X20	1.900 / 48.26	2.000 / 50.80			
-057	2X21	2.000 / 50.80	2.100 / 53.34			
-058	2X22	2.100 / 53.34	2.200 / 55.88			
-059	2X23	2.200 / 55.88	2.300 / 58.42			
-060	2X24	2.300 / 58.42	2.400 / 60.96			
-061	2X25	2.400 / 60.96	2.500 / 63.50			
-062	2X26	2.500 / 63.50	2.600 / 66.04			
-063	2X27	2.600 / 66.04	2.700 / 68.58			
-064	2X28	2.700 / 68.58	2.800 / 71.12			
-065	2X29	2.800 / 71.12	2.900 / 73.66			
-066	2X30	2.900 / 73.66	3.000 / 76.20			
-067	2X31	3.000 / 76.20	3.100 / 78.74			
-068	2X32	3.100 / 78.74	3.200 / 81.28			
-069	2X33	3.200 / 81.28	3.300 / 83.82			
-070	2X34	3.300 / 83.82	3.400 / 86.36			
-071	2X35	3.400 / 86.36	3.500 / 88.90			
65781-072	2X36	3.500 / 88.90	3.600 / 91.44	BRASS 100u"/2.54u THICK SN PLATE SPRING MAT'L: BeCu HEAT TREATED SPRING PLATING: 30u"/76u MIN ELECTROLESS TIN	.140/3.56	NOTES 5,6,8



FCIconnect.com

Copyright FCI

mat'l. code		surface ISO 1302 <input checked="" type="checkbox"/>		tolerance ISO 406 ISO 1101		projection 		product family CARD CONN	
ltr	ecn	no	dr	date	tolerances unless otherwise specified		title		
V					angles	linear	INCH/MM		VERT. CARD CONNECTOR
					0°±2'		scale 4:1		.100/2.54 CTR., DBL ROW
					dr	M.CLOUSER	3/25/94	dwg no	
					enr	H. SUNDY	3/25/94	sheet 4 of 6 size	
					chr	H. SUNDY	3/25/94	65781 A3	
					appd	H. SUNDY	3/25/94	type Product Customer Drawing	
sheet index	revision sheet								



PRODUCT NUMBER	SIZE	DIM A	DIM B	MATERIAL AND PLATING	DIM C	LEAD FREE OPTION
65781-073				UNASSIGNED		
-074	2X2	.100 / 2.54	.200 / 5.08	BODY MAT'L: Cu Ni 10u"/.25u Au FLASH INSIDE BODY CONTACT AREA ONLY WITH .001/.03 MIN HIGH GOLD DOT. SPRING PLATING: GOLD FLASH SPRING MAT'L: BeCu HEAT TREAT	.140/3.56	NOTE 5,6
-075	2X3	.200 / 5.08	.300 / 7.62			
-076	2X4	.300 / 7.62	.400 / 10.16			
-077	2X5	.400 / 10.16	.500 / 12.70			
-078	2X6	.500 / 12.70	.600 / 15.24			
-079	2X7	.600 / 15.24	.700 / 17.78			
-080	2X8	.700 / 17.78	.800 / 20.32			
-081	2X9	.800 / 20.32	.900 / 22.86			
-082	2X10	.900 / 22.86	1.000 / 25.40			
-083	2X11	1.000 / 25.40	1.100 / 27.94			
-084	2X12	1.100 / 27.94	1.200 / 30.48			
-085	2X13	1.200 / 30.48	1.300 / 33.02			
-086	2X14	1.300 / 33.02	1.400 / 35.56			
-087	2X15	1.400 / 35.56	1.500 / 38.10			
-088	2X16	1.500 / 38.10	1.600 / 40.64			
-089	2X17	1.600 / 40.64	1.700 / 43.18			
-090	2X18	1.700 / 43.18	1.800 / 45.72			
-091	2X19	1.800 / 45.72	1.900 / 48.26			
-092	2X20	1.900 / 48.26	2.000 / 50.80			
-093	2X21	2.000 / 50.80	2.100 / 53.34			
-094	2X22	2.100 / 53.34	2.200 / 55.88			
-095	2X23	2.200 / 55.88	2.300 / 58.42			
-096	2X24	2.300 / 58.42	2.400 / 60.96			
-097	2X25	2.400 / 60.96	2.500 / 63.50			
-098	2X26	2.500 / 63.50	2.600 / 66.04			
-099	2X27	2.600 / 66.04	2.700 / 68.58			
-100	2X28	2.700 / 68.58	2.800 / 71.12			
-101	2X29	2.800 / 71.12	2.900 / 73.66			
-102	2X30	2.900 / 73.66	3.000 / 76.20			
-103	2X31	3.000 / 76.20	3.100 / 78.74			
-104	2X32	3.100 / 78.74	3.200 / 81.28			
-105	2X33	3.200 / 81.28	3.300 / 83.82			
-106	2X34	3.300 / 83.82	3.400 / 86.36			
-107	2X35	3.400 / 86.36	3.500 / 88.90			
65781-108	2X36	3.500 / 88.90	3.600 / 91.44	BODY MAT'L: Cu Ni 10u"/.25u Au FLASH INSIDE BODY CONTACT AREA ONLY WITH .001/.03 MIN HIGH GOLD DOT. SPRING PLATING: GOLD FLASH SPRING MAT'L: BeCu HEAT TREAT	.140/3.56	NOTE 5,6



FCJconnect.com

Copyright FCJ

mat'l. code		surface ISO 1302 ✓		tolerance ISO 406 ISO 1101		projection ⊕		product family CARD CONN	
ltr		ecn no dr		date		tolerances unless otherwise specified		title	
V						.XX±.01/.X±.3		VERT. CARD CONNECTOR	
						linear .XXX±.0.005/.XX±.13		.100/2.54 CTR., DBL ROW	
						0'±2'		scale 4:1	
								dwg no sheet5 of 6 size	
								65781 A3	
								type Product Customer Drawing	
sheet index		revision sheet							



PRODUCT NUMBER	SIZE	DIM A	DIM B	MATERIAL AND PLATING	DIM C	LEAD FREE OPTION
65781-149	2X5	.400/10.16	.500/12.70	BRASS 100u"/2.54u THICK SN PLATE SPRING MAT'L: BeCu HEAT TREATED SPRING PLATING: 30u"/76u MIN ELECTROLESS TIN	.115/2.92	NOTES 5,6,8
65781-151	2X7	.600/15.24	.700/17.78		.115/2.92	
65781-152	2X8	.700/17.78	.800/20.32		.115/2.92	



Copyright FCI

mat'l. code		surface ISO 1302	tolerance ISO 406 ISO 1101	projection 	product family CARD CONN
ltr	ecn no	dr	date	tolerances unless otherwise specified	title
V				linear .XX±.01/.X±.3 .XXX±.0.005/.XX±.13 XXXX±.0020/XXX±.051	VERT. CARD CONNECTOR .100/2.54 CTR., DBL ROW
				0'±2'	scale 4:1
		dr	M.CLOUSER	3/25/94	dwg no
		enr	H. SUNDY	3/25/94	sheet 6 of 6 size
		chr	H. SUNDY	3/25/94	65781
		appd	H. SUNDY	3/25/94	A3
sheet index	revision sheet				type Product Customer Drawing

