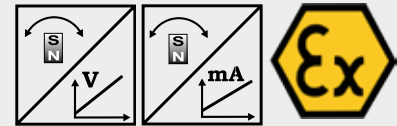


POSIROT® PRAS2EX - Dust-Ex-proof Magnetic Angle Sensor with Analog Output



Magnetic angle sensor 0 - 360° in a flat housing with 36 mm dia.

- Measurement range 0 to 360°
- Protection class IP65
- Analog output
- Flat housing – 20 mm thickness
- Non-contact with external position magnet
- Dust-Ex-proof: II 3D Ex tD A22 IP65 T80°C X
- Wear free
- SIL in preparation



Specifications	Outputs	
		U6
	U2	Voltage 0.5 ... 10 V
	I1	Current 4 ... 20 mA, 3 wire
Measurement range	0 ... 15° to 0 ... 360° in increments of 15°	
Resolution	0.03 % (60 ... 360); 0.1 % (15 ... 45°)	
Repeatability	±0.03 % (60 ... 360°); ±0.1 % (15 ... 45°)	
Linearity	±0.3 % f.s. (typ.)	
Rated distance sensor / magnet	Depending on the position magnet	
Protection class	IP65	
Signal characteristics	CW, CCW	
Material	Stainless steel	
Mounting	Clamps, mounting plate	
Temperature	-20 to +40 °C	
Shock	EN60068-2-27:1993, 100 g/11 ms, 100 shocks	
Vibration	EN60068-2-6:1995, 20 g 10 Hz-2 kHz, 10 cycles	
Dust-Ex-proof standard	DIN EN61241-0, DIN EN61241-1	

Order Code PRAS2EX

Model name

Measurement range 15 ... 360° in increments of 15°

15 / 30 / 45 / ... / 345 / 360

Output (see page 46)

U6 = 0.5 ... 4.5 V ratiometric

U2 = 0.5 ... 10 V

I1 = 4 ... 20 mA, 3 wire

Signal characteristics

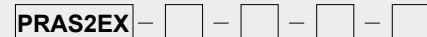
CW = Signal increasing CW

CCW = Signal increasing CCW

Connection

M12A5 = 5-pin socket M12 axial (compatible with 4-pin connector)

M12R5 = 5-pin socket M12 radial (compatible with 4-pin connector)



Dust-Ex-proof explanation (see page 55)

Order code mounting clamps (set of 3 pieces)

PRPT-BFS1

Order code position magnet (see accessories page 55)

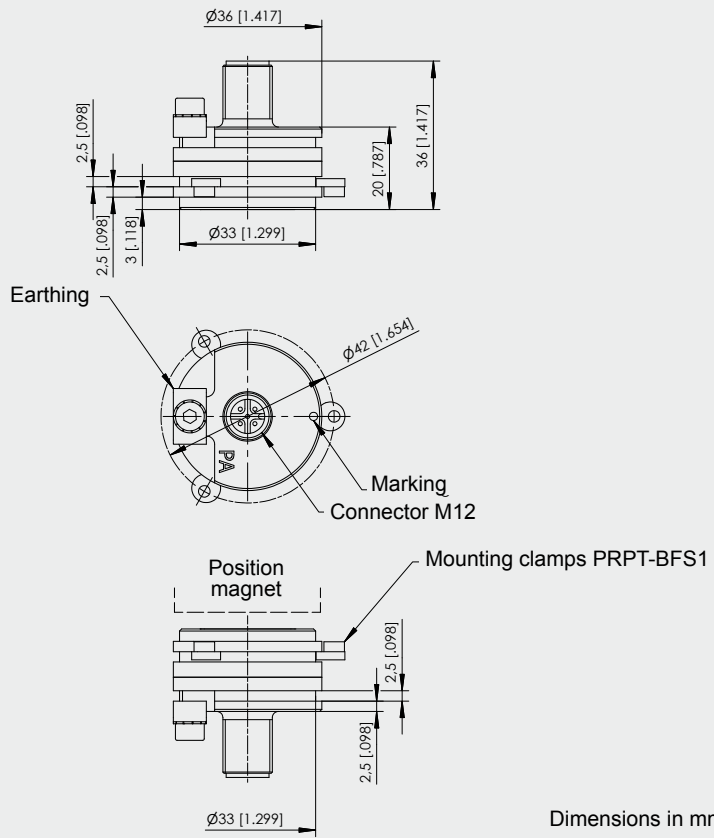
PRMAG ...

Order example: PRAS2EX - 360 - I1 - CW - M12A5

POSIROT®
PRAS2EX - Dust-Ex-proof
Dimensions



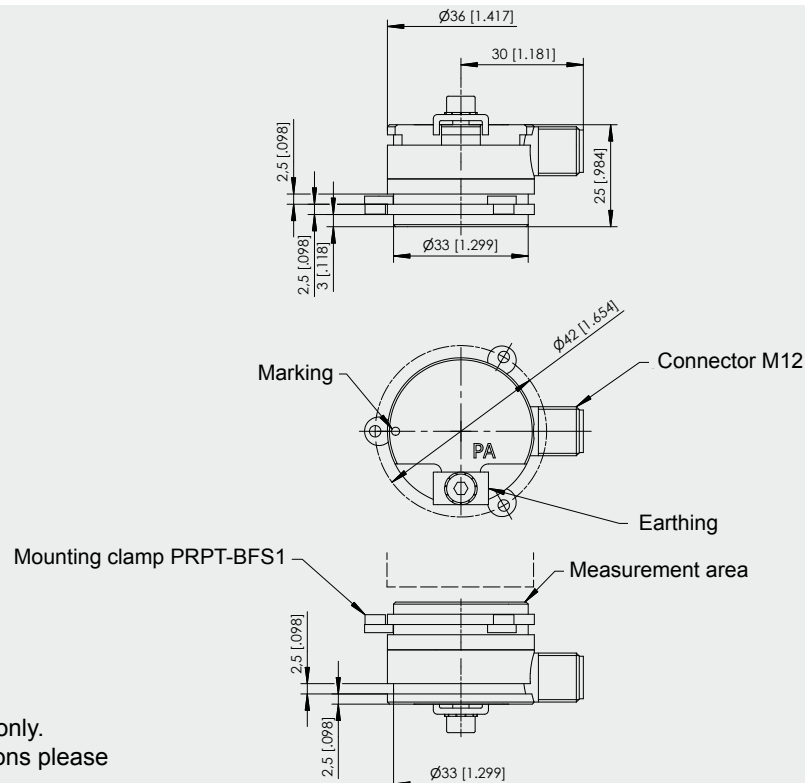
**Outline drawing
 sensor M12 axial**



Weight approx. 110 g.
 Dimensions informative only.
 For guaranteed dimensions please
 consult factory.

Dimensions in mm [inch]

**Outline drawing
 sensor M12 radial**



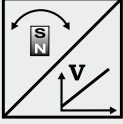
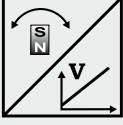
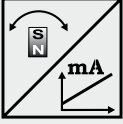
Weight approx. 140 g.
 Dimensions informative only.
 For guaranteed dimensions please
 consult factory.

Dimensions in mm [inch]

POSIROT® PRAS

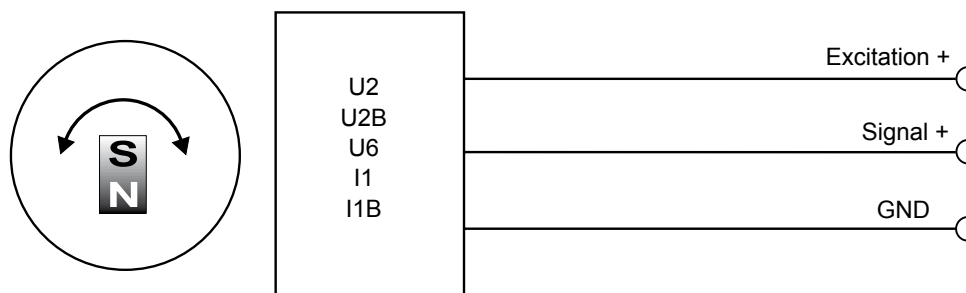
Analog outputs U2(B), U6 and I1(B)



U2; U2B Voltage Output 0.5 ... 10 V 	Excitation voltage	U2: 18 ... 36 V DC; U2B: 11.5 ... 27 V DC
	Excitation current	12 mA typ., 16 mA max.
	Output voltage	0.5 ... 10 V DC
	Output current	2 mA max.
	Measuring rate	1 kHz standard
	Stability (temperature)	±50 x 10 ⁻⁶ / °C f.s. (typ.) for 90°...360° ±100 x 10 ⁻⁶ / °C f.s. (typ.) for <90°
	Operating temperature	-40 ... +85 °C
	Protection	Reverse polarity, short circuit
EMC	EN61326-1:2006	
U6/5; U6/8,25 Voltage Output 10 ... 90% ratiometr. 	Excitation voltage	5V DC ±10 % / 8.25 V DC ±10 %
	Excitation current	8 mA typ., 12 mA max.
	Output voltage	10 ... 90 % of the excitation voltage
	Output current	2 mA max.
	Measuring rate	1 kHz standard
	Stability (temperature)	±50 x 10 ⁻⁶ / °C f.s. (typ.) for 90°...360° ±100 x 10 ⁻⁶ / °C f.s. (typ.) for <90°
	Operating temperature	-40 ... +85 °C
	Protection	Reverse polarity, short circuit
EMC	EN61326-1:2006	
I1; I1B Current Output 4 ... 20 mA, 3 wire 	Excitation voltage	I1: 18 ... 36 V DC; I1B: 10 ... 18 V DC
	Excitation current	32 mA typ., 36 mA max.
	Load resistor	I1: 500 Ω max.; I1B: 250 Ω max.
	Output current	4 ... 20 mA
	Measuring rate	1 kHz standard
	Stability (temperature)	±50 x 10 ⁻⁶ / °C f.s. (typ.) for 90°...360° ±100 x 10 ⁻⁶ / °C f.s. (typ.) for <90°
	Operating temperature	-40 ... +85 °C
	Protection	Reverse polarity, short circuit
EMC	EN61326-1:2006	

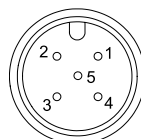
Other outputs available on request.

Output signals



Signal Wiring	Output signals	Connector pin	Cable color
	Excitation +	1	brown
	Signal	2	white
	GND	3	blue
	Do not connect!	4	black
	Do not connect!	5	-

Connection



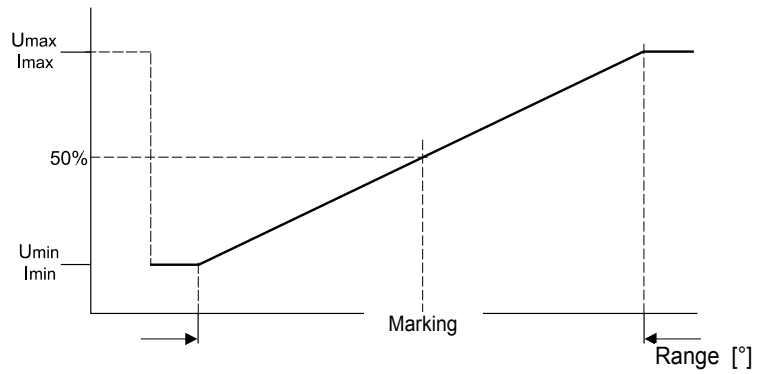
M12A5 / M12R5

View to sensor
connector

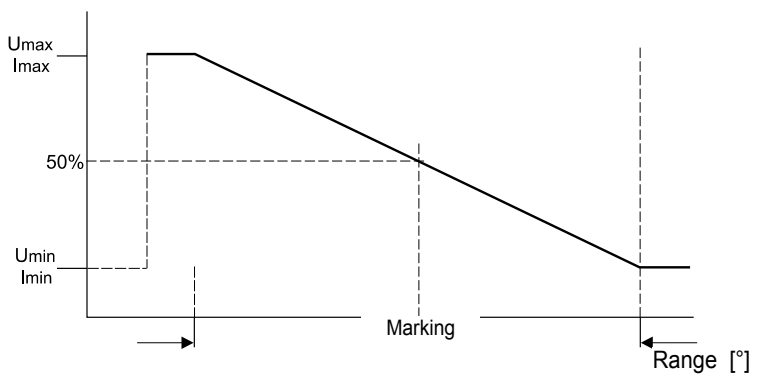
POSIROT®
PRAS/PRDS
Characteristics for magnetic angle sensors



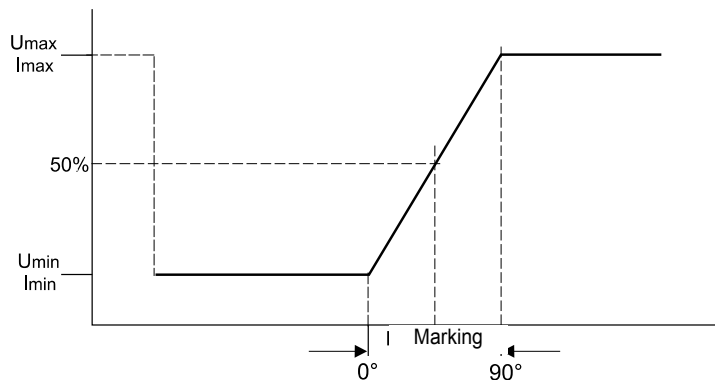
Output signal
 (CW increasing)



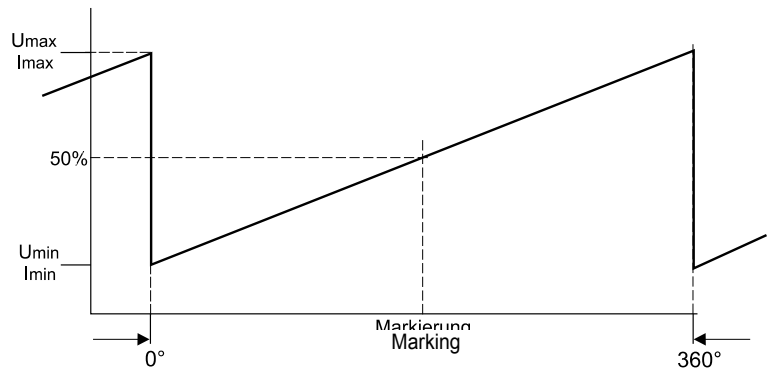
Output signal
 (CCW increasing)



Example angular
range 90°

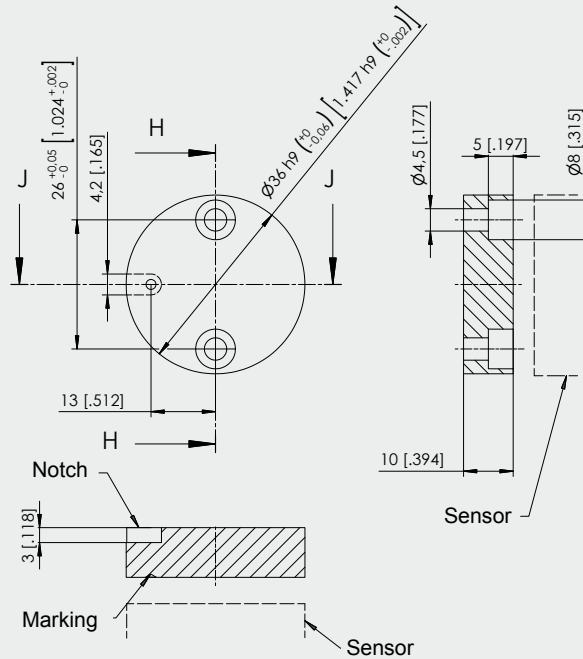


Example angular
range 360°



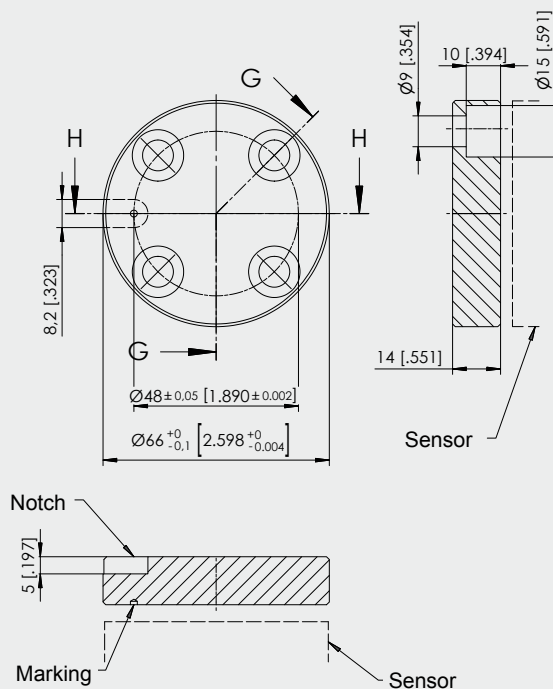
PRMAG2Z-EX

Weight ca. 22 g approx.
 moment of inertia 4.5 kgmm²
 A misalignment of the position magnet
 has an effect on the linearity



PRMAG5-EX

Weight ca. 275 g approx.
 moment of inertia 150 kgmm²
 A misalignment of the position magnet
 has an effect on the linearity

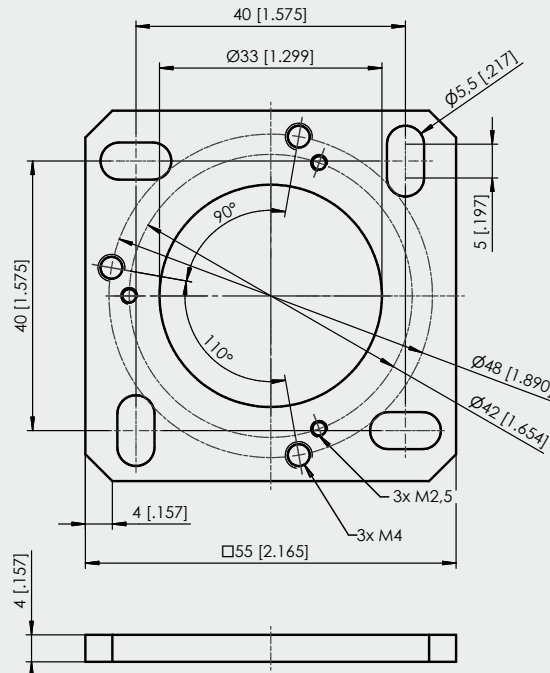


EX - Explanation (II 3D Ex tD A22 IP65 T80°C X)

- II** = for all Explosive Areas, excluding Surface and Underground Mining Systems
- 3D** = Equipment Category 3, applicable in Zone 22; D = dust
- Ex** = meets the requirements of the European Ex-Directive
- tD** = type of ignition protection: protection by enclosure "tD"
- A22** = measurement of the surface temperature acc. to procedure A for applications in Zone 22
- IP65** = IP Protection Class
- T80°C** = maximum surface temperature
- X** = tested with low impact energy

PRPT-BPL1

(screw mounting)
 For PRAS2, PRDS2,
 PRAS3, PRDS3



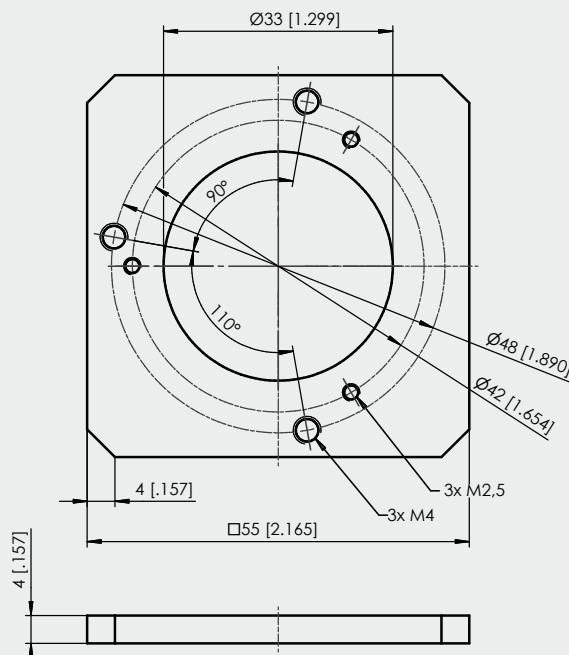
In combination with the
 mounting clamps
 PRPT-BFS1 (3 x M2.5)
 or
 in combination with the
 mounting bracket
 PRPT-BFS2 (3 x M4).

Dimensions in mm [inch]

Weight 30 g approx.
 Dimensions informative only.
 For guaranteed dimensions please consult factory.

PRPT-BPL2

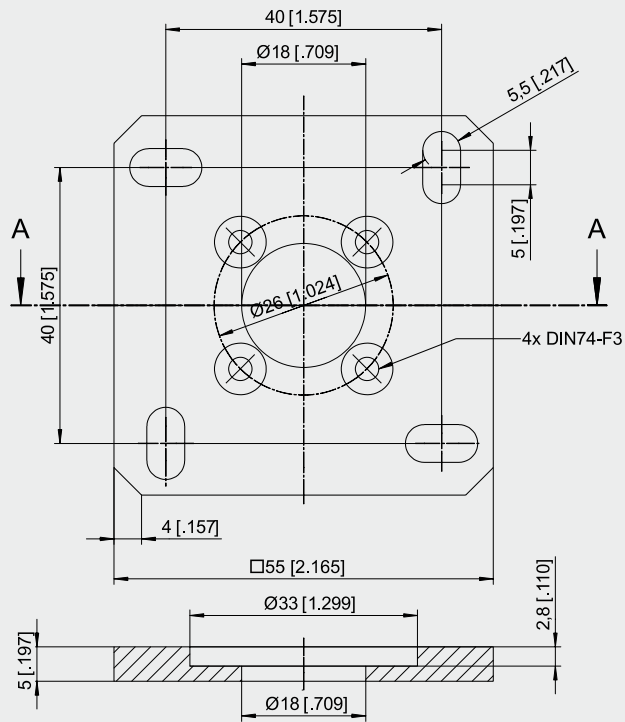
(welding assembly)
 For PRAS2, PRDS2,
 PRAS3, PRDS3



In combination with the
 mounting clamps
 PRPT-BFS1 (3 x M2.5)
 or
 in combination with the
 mounting bracket
 PRPT-BFS2 (3 x M4).

PRPT-BPL3

For PRAS3, PRDS3



Dimensions in mm [inch]

Weight 30 g approx.

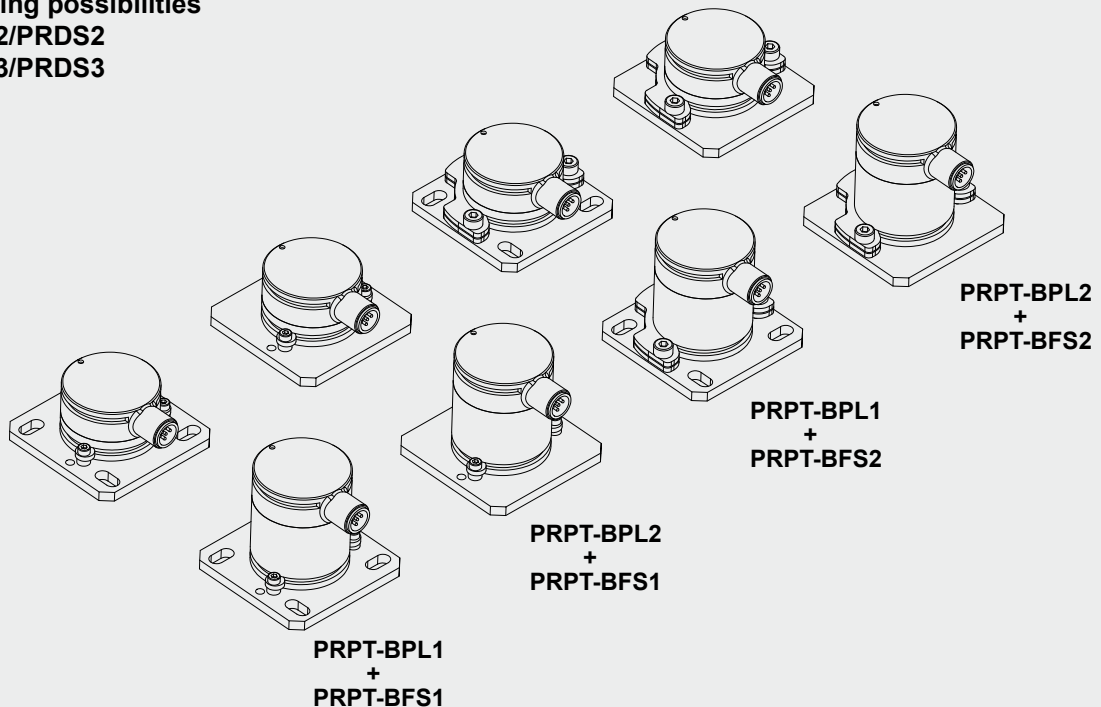
Dimensions informative only.

For guaranteed dimensions please consult factory.

Mounting possibilities

PRAS2/PRDS2

PRAS3/PRDS3



**Connector cable for
POSIROT®-
POSITILT® sensors**
4 pins M12

Suitable for 5-pin
sensor connectors
M12A5 and M12R5

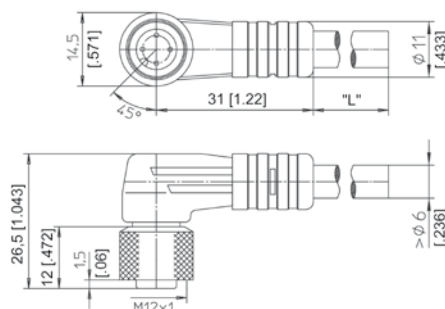
The 4-core screened cable is supplied with a mating 4-pin 90° M12 connector at one end and 4 wires at the other end. Available lengths are 2, 5 and 10 m.

Order code:

KAB - XM - M12/4F/W - LITZE

IP69K: **KAB - XM - M12/4F/W/69K - LITZE**

Length in m



**Connector cable for
POSIROT®-
POSITILT® sensors**
4 pins M12

Suitable for 5-pin
sensor connectors
M12A5 and M12R5

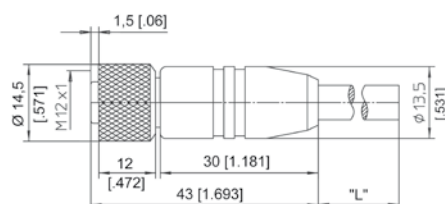
The 4-core screened cable is supplied with a mating 4-pin M12 connector at one end and 4 wires at the other end. Available lengths are 2, 5 and 10 m.

Order code:

KAB - XM - M12/4F/G - LITZE

IP69K: **KAB - XM - M12/4F/G/69K - LITZE**

Length in m



Signal wiring M12, 4 pin	Connector pin / cable color			
	1	2	3	4
	Brown	White	Blue	Black

**Connector cable for
POSIROT®-
POSITILT® sensors**
8 pins M12

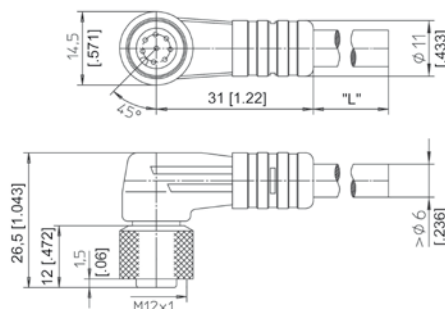
The 8-core screened cable is supplied with a mating 8-pin 90° M12 connector at one end and 8 wires at the other end. Available lengths are 2, 5 and 10 m.

Order code:

KAB - XM - M12/8F/W - LITZE

IP69K: **KAB - XM - M12/8F/W/69K - LITZE**

Length in m



**Connector cable for
POSIROT®-
POSITILT® sensors**
8 pins M12

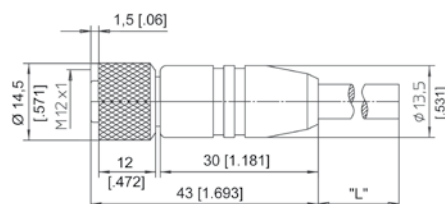
The 8-core screened cable is supplied with a mating 8-pin M12 connector at one end and 8 wires at the other end. Available lengths are 2, 5 and 10 m.

Order code:

KAB - XM - M12/8F/G - LITZE

IP69K: **KAB - XM - M12/8F/G/69K - LITZE**

Length in m



Signal wiring M12, 8 pin	Connector pin / cable color							
	1	2	3	4	5	6	7	8
	White	Brown	Green	Yellow	Grey	Pink	Blue	Red