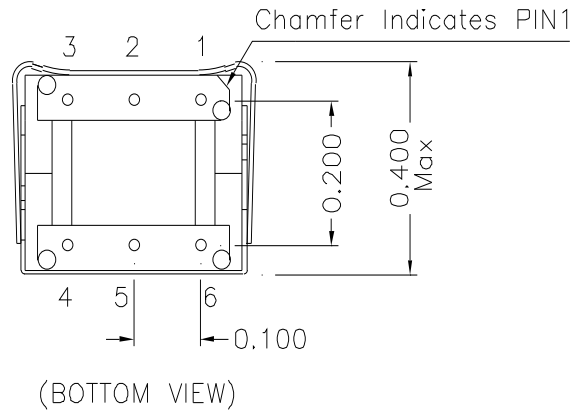
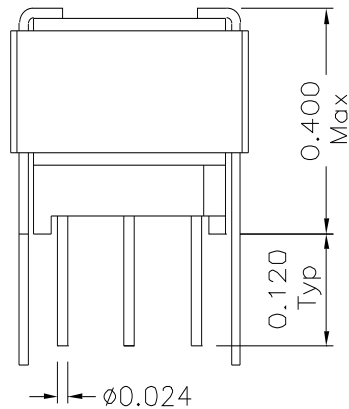
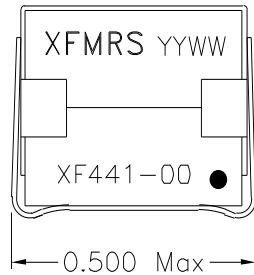
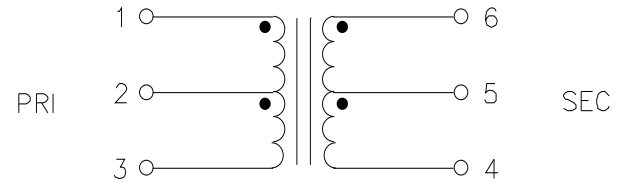


1. Mechanical Dimensions:



2. Schematic:



3. Electrical Specifications: @25°C

Isolation Voltage: 1000VAC (PRI to SEC)&(PRI&SEC to CORE)

Turn Ratio: 1 : 1 (PRI:SEC)

PRI. OCL: 40mH Minimum @1KHz 1.0V

PRI LL: 43uH Maximum @10KHz 0.1V (SEC Shorted)

PRI DCR: 5.12 Ohms $\pm 15\%$

SEC DCR: 6.0 Ohms $\pm 15\%$

LONG. BAL.: 1K-15KHz -40dB Minimum

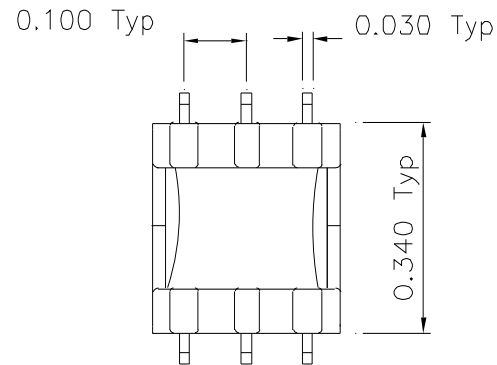
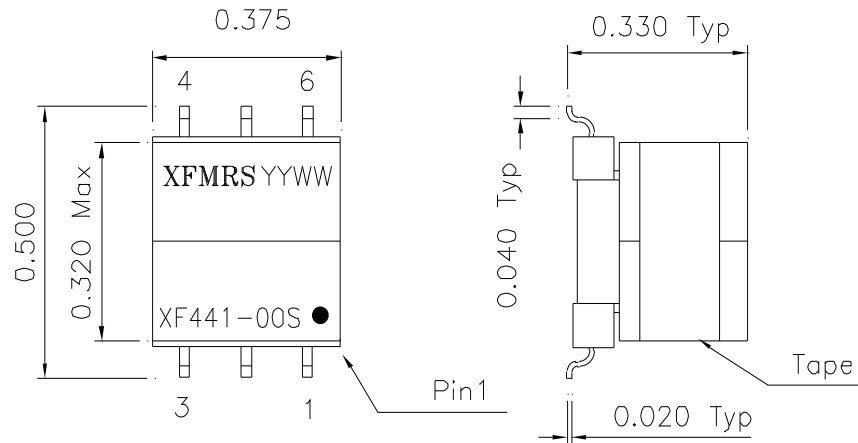
15KHz-100KHz -35dB Minimum

@PIN6 GROUNDED

DOC. REV A/1

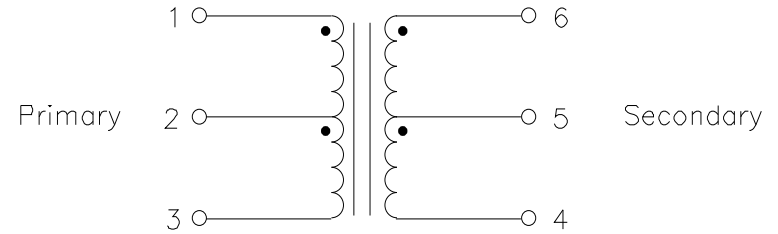
XFMRS Inc	Title: TRANSFORMER	
	P/N: XF441-00	REV. A
UNLESS OTHERWISE SPECIFIED TOLERANCES: .xxx ± 0.005 Dimensions in INCH	DWN.	李清儿 May-13-99
	CHK.	孙小松 May-13-99
	APP.	Joe Huff May-13-99
SCALE 2.5:1 SHT 1 OF 1		

1. Mechanical Dimensions:



BOTTOM VIEW

2. Schematic:



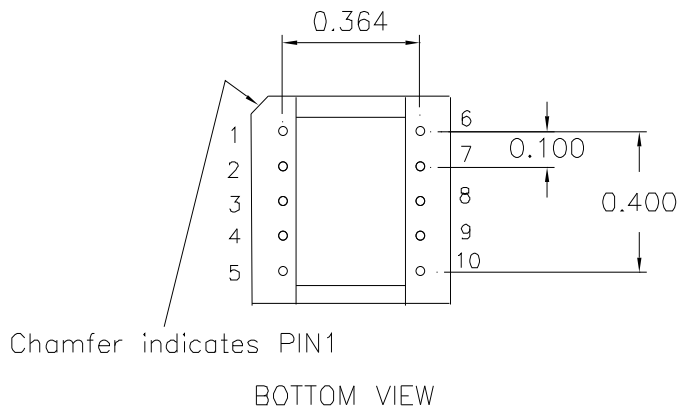
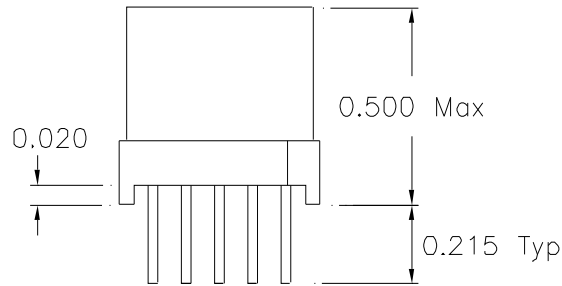
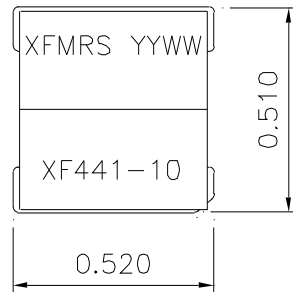
3. Electrical Specifications:

- Turns Ratio : 1 : 1 ±1% (PRI:SEC)
- Isolation Voltage: 1000VAC (PRI to SEC)
- Pri. LL : 43uH Max. @10KHz , 0.1V (Sec Shorted)
- Pri. OCL: 40mH Min. @1KHz ,1.0V
- Pri. DCR: 5.12 Ohms ±15%
- Sec. DCR: 6.0 Ohms ±15%
- Long. Bal. : 1K-15KHz -40dB Min.
15K-100KHz -35dB Min.
@Pin6 Grounded

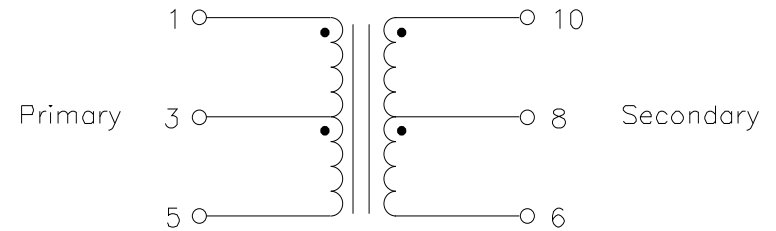
DOC. REV A/1

XFMRS Inc	Title: TRANSFORMER	
	P/N: XF441-00S	REV. A
UNLESS OTHERWISE SPECIFIED TOLERANCES: .xxx ±0.010 Dimensions in INCH	DWN.	李清儿 May-13-99
	CHK.	孙小松 May-13-99
	APP.	Joe Huff May-13-99
Scale 1.5:1 SHT 1 OF 1		

1. Mechanical Dimensions:



2. Schematic:



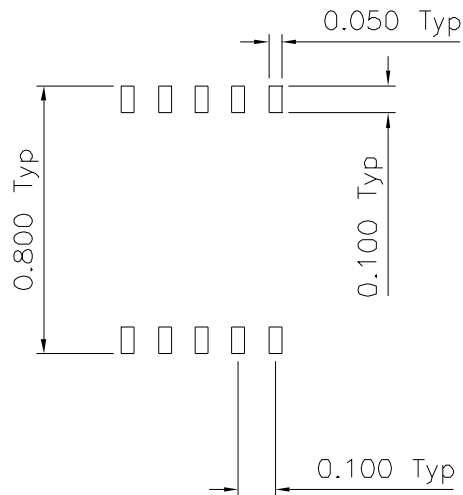
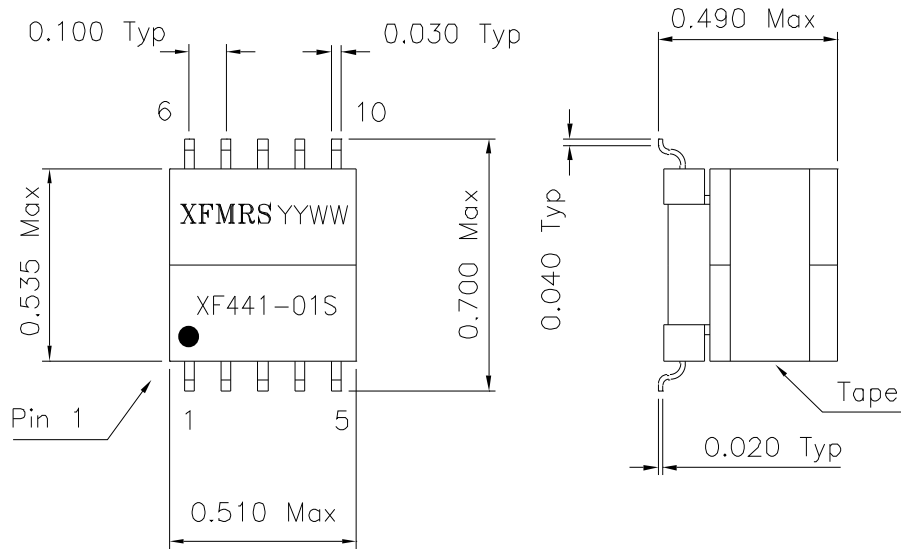
3. Electrical Specifications:

Turns Ratio : 1 : 1 ±1% (PRI:SEC)
 Isolation Voltage: 2000VAC (Pin1-10)
 PRI LL : 40uH Max. @10KHz , 0.1V (Sec Shorted)
 PRI OCL: 40mH Min. @1KHz ,1.0V
 PRI DCR: 2.87 Ohms ±15%
 SEC DCR: 5.92 Ohms ±15%
 LONG BAL. : 1K-15KHz -40dB Min.
 15K-100KHz -35dB Min.
 @Pin10 Grounded

DOC. REV A/1

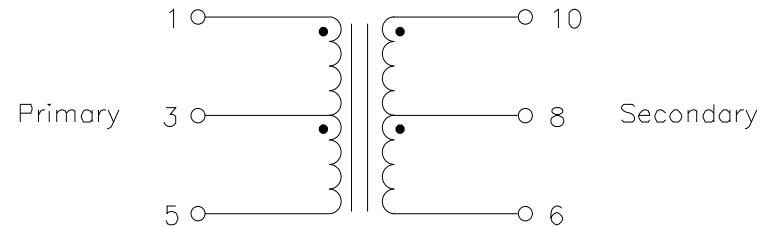
XFMRS		Title: TRANSFORMER	
UNLESS OTHERWISE SPECIFIED TOLERANCES: .xxx ±0.010 Dimensions in INCH	P/N: XF441-01		REV. A
	DWN.	李清儿	May-13-99
	CHK.	孙小悦	May-13-99
Scale 1.5:1 SHT 1 OF 1	APP.	Joe Huff	May-13-99

1. Mechanical Dimensions:



Suggested PCB Layout

2. Schematic:



3. Electrical Specifications:

- Turns Ratio : 1 : 1 ±1% (PRI:SEC)
- Isolation Voltage: 2000VAC (Pin1-10)
- Pri. LL : 40uH Max. @10KHz , 0.1V (Sec Shorted)
- Pri. OCL: 40mH Min. @1KHz 1.0V
- Pri. DCR: 2.87 Ohms ±15%
- Sec. DCR: 5.92 Ohms ±15%
- Long. Bal. : 1K-15KHz -40dB Min.
- 15K-100KHz -35dB Min.
- @Pin10 Grounded

DOC. REV A/1

XFMR5 Inc	Title: TRANSFORMER	
	P/N: XF441-01S	REV. A
UNLESS OTHERWISE SPECIFIED TOLERANCES: .xx ±0.010 Dimensions in INCH	DWN.	李清儿 May-13-99
	CHK.	孙小松 May-13-99
	APP.	Joe Huff May-13-99