

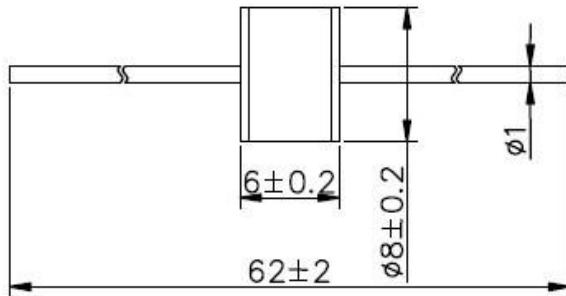
## 2-Electrode Gas Discharge Tubes

20KA

Axial Lead Wire



1: Dimension(mm)



### 2: Main Applications

- PCI Cards protection
- Telephone/Fax/Modem protection
- single line protection
- ADSL/XDSL Splitter, Power Supply
- Surge Protection Device/Surge Protector

### 3: Features

- 100% Lead-Free (RoHS Compliant)
- Non-Radioactive
- Low capacitance:  $\leq 1\text{pF}$
- Small size :  $\Phi 8 \times 6(\text{mm})$
- Safety certification: File number: E505240

### 4 Electrical Characteristics

Part Number	DC Spark-over Voltage	Impulse Spark-over Voltage	Impulse Spark-over Voltage	Insulation Resistance	Impulse discharge current	Impulse Life	AC discharge current	Delivery time	UL Certificate
	@100V/S	@100V/ $\mu\text{s}$	@1KV/ $\mu\text{s}$	G $\Omega$	8/20 $\mu\text{s}$ 10 Times	300 hits 10x1000 $\mu\text{s}$	50Hz, 1s 10times	days	UL497B
HA2R8-75HL	75V $\pm 20\%$	$\leq 500\text{V}$	$\leq 600\text{V}$	$> 1\text{G}\Omega$	20KA	100A	20A	12days	E505240
HA2R8-90HL	90V $\pm 20\%$	$\leq 500\text{V}$	$\leq 600\text{V}$	$> 1\text{G}\Omega$	20KA	100A	20A	12days	E505240
HA2R8-140HL	140V $\pm 20\%$	$\leq 500\text{V}$	$\leq 600\text{V}$	$> 1\text{G}\Omega$	20KA	100A	20A	12days	E505240
HA2R8-150HL	150V $\pm 20\%$	$\leq 500\text{V}$	$\leq 600\text{V}$	$> 1\text{G}\Omega$	20KA	100A	20A	12days	E505240
HA2R8-200HL	200V $\pm 20\%$	$\leq 600\text{V}$	$\leq 700\text{V}$	$> 1\text{G}\Omega$	20KA	100A	20A	12days	E505240
HA2R8-230HL	230V $\pm 20\%$	$\leq 600\text{V}$	$\leq 700\text{V}$	$> 1\text{G}\Omega$	20KA	100A	20A	12days	E505240
HA2R8-250HL	250V $\pm 20\%$	$\leq 600\text{V}$	$\leq 700\text{V}$	$> 1\text{G}\Omega$	20KA	100A	20A	12days	E505240
HA2R8-260HL	260V $\pm 20\%$	$\leq 700\text{V}$	$\leq 800\text{V}$	$> 1\text{G}\Omega$	20KA	100A	20A	12days	E505240
HA2R8-300HL	300V $\pm 20\%$	$\leq 800\text{V}$	$\leq 900\text{V}$	$> 1\text{G}\Omega$	20KA	100A	20A	12days	E505240
HA2R8-350HL	350V $\pm 20\%$	$\leq 900\text{V}$	$\leq 1000\text{V}$	$> 1\text{G}\Omega$	20KA	100A	20A	12days	E505240
HA2R8-400HL	400V $\pm 20\%$	$\leq 900\text{V}$	$\leq 1000\text{V}$	$> 1\text{G}\Omega$	20KA	100A	20A	12days	E505240
HA2R8-420HL	420V $\pm 20\%$	$\leq 900\text{V}$	$\leq 1000\text{V}$	$> 1\text{G}\Omega$	20KA	100A	20A	12days	E505240
HA2R8-470HL	470V $\pm 20\%$	$\leq 1100\text{V}$	$\leq 1200\text{V}$	$> 1\text{G}\Omega$	20KA	100A	20A	12days	E505240
HA2R8-500HL	500V $\pm 20\%$	$\leq 1100\text{V}$	$\leq 1200\text{V}$	$> 1\text{G}\Omega$	20KA	100A	20A	12days	E505240
HA2R8-550HL	550V $\pm 20\%$	$\leq 1300\text{V}$	$\leq 1400\text{V}$	$> 1\text{G}\Omega$	20KA	100A	20A	12days	E505240
HA2R8-600HL	600V $\pm 20\%$	$\leq 1300\text{V}$	$\leq 1400\text{V}$	$> 1\text{G}\Omega$	20KA	100A	20A	12days	E505240
HA2R8-800HL	800V $\pm 20\%$	$\leq 1400\text{V}$	$\leq 1500\text{V}$	$> 1\text{G}\Omega$	20KA	100A	20A	12days	--

4 Electrical Characteristics

Continue

Part Number	DC Holdover Voltage	On-State Voltage	Impulse discharge current 8/20μs	Peak Current @10/350μs	Weight
	Per ITU K.12 (<150ms)	Nominal @ 1A	1time	1time	g
HA2R8-75HL	<52V	20V	25KA	4KA	~1.8g
HA2R8-90HL	<52V	20V	25KA	4KA	~1.8g
HA2R8-140HL	<80V	20V	25KA	4KA	~1.8g
HA2R8-150HL	<80V	20V	25KA	4KA	~1.8g
HA2R8-200HL	<135V	20V	25KA	4KA	~1.8g
HA2R8-230HL	<135V	20V	25KA	4KA	~1.8g
HA2R8-250HL	<135V	20V	25KA	4KA	~1.8g
HA2R8-260HL	<135V	20V	25KA	4KA	~1.8g
HA2R8-300HL	<150V	20V	25KA	4KA	~1.8g
HA2R8-350HL	<150V	20V	25KA	4KA	~1.8g
HA2R8-400HL	<150V	20V	25KA	4KA	~1.8g
HA2R8-420HL	<150V	20V	25KA	4KA	~1.8g
HA2R8-470HL	<150V	20V	25KA	4KA	~1.8g
HA2R8-500HL	<150V	20V	25KA	4KA	~1.8g
HA2R8-550HL	<150V	20V	25KA	4KA	~1.8g
HA2R8-600HL	<150V	20V	25KA	4KA	~1.8g
HA2R8-800HL	<150V	20V	25KA	4KA	~1.8g

1:At delivery AQL 0.65 leave II Military Standard 105 E

2:In ionized mode

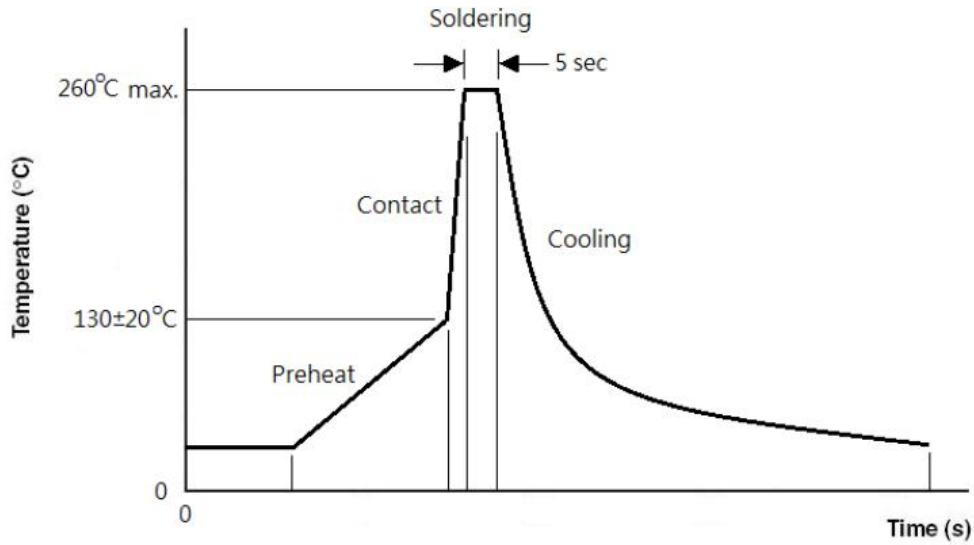
3:Test according to ITU-T Rec.k.12

Environmental resistance

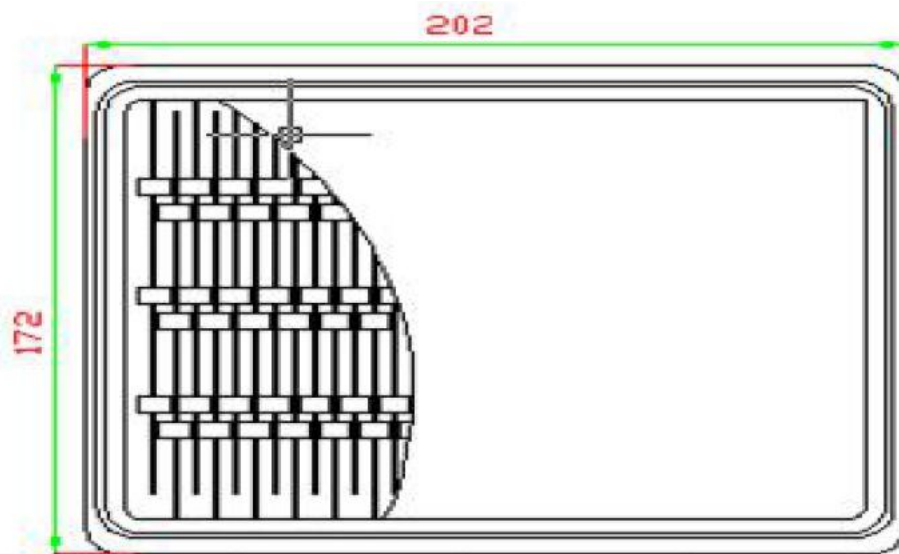
Storage temperature:	-40°C----+90°C
Operating temperature:	-40°C----+90°C
Electrode:	Tin Plated

Example Part Number: HA2R8-90HL

HA	=	HUAAN
2	=	2 Electrode device
R	=	Gas Discharge Tube
8	=	8mm Diameter
90	=	90V
H	=	High Surge 20KA
L	=	Axial Lead Wire



## Packaging Information



## Packaging Quantity

Part Number	Quantity	
	Per Tray	Per Carton
HA2R8-xxxHL Series	100PCS	5000PCS