



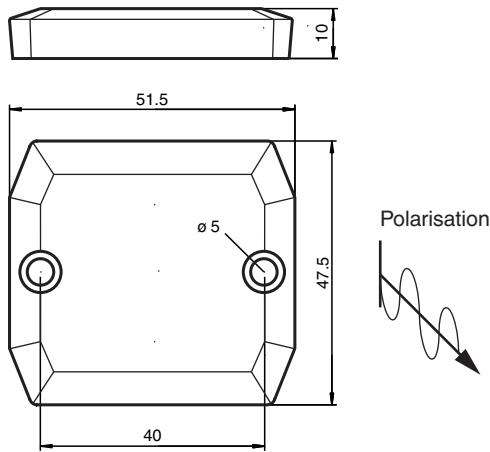
RFID Transponder

IUC77-F151-M-GBL

- Operating frequency 865 ... 928 MHz
- Complies with EPC Gen2 (ISO/IEC 18000-63)
- Sturdy housing, suitable for rough industrial use

Data carrier

Dimensions



Technical Data

General specifications

Operating frequency	865 ... 928 MHz
Polarization	linear

Memory

Chip Type	Monza 4QT (Impinj)
Memory Bank 00 (Reserved)	64 Bit
Memory Bank 01 (EPC/UII)	128 Bit
Memory Bank 10 (TID)	96 Bit
Memory Bank 11 (User memory)	512 Bit
Read cycles	unlimited
Write cycles	> 100000
Data retention period	10 years

Directive conformity

Radio equipment	
Directive 2014/53/EU	EN 302208
RoHS	
Directive 2011/65/EU (RoHS)	IEC/EN 63000

Release date: 2021-04-22 Date of issue: 2021-04-22 Filename: 258356_eng.pdf

Refer to "General Notes Relating to Pepperl+Fuchs Product Information".

Pepperl+Fuchs Group
www.pepperl-fuchs.com

USA: +1 330 486 0001
fa-info@us.pepperl-fuchs.com

Germany: +49 621 776 1111
fa-info@de.pepperl-fuchs.com

Singapore: +65 6779 9091
fa-info@sg.pepperl-fuchs.com

PF PEPPERL+FUCHS

Technical Data

Standard conformity	
Degree of protection	EN 60529
RFID	ISO/IEC 18000-63
Ambient conditions	
Ambient temperature	-40 ... 85 °C (-40 ... 185 °F)
Storage temperature	-40 ... 85 °C (-40 ... 185 °F)
Mechanical specifications	
Housing length	47.5 mm
Housing width	51.5 mm
Housing height	10 mm
Degree of protection	IP68
Material	
Housing	Impact-resistant plastic material
Installation	
On metal	yes
Mass	22 g
Construction type	Rectangular type