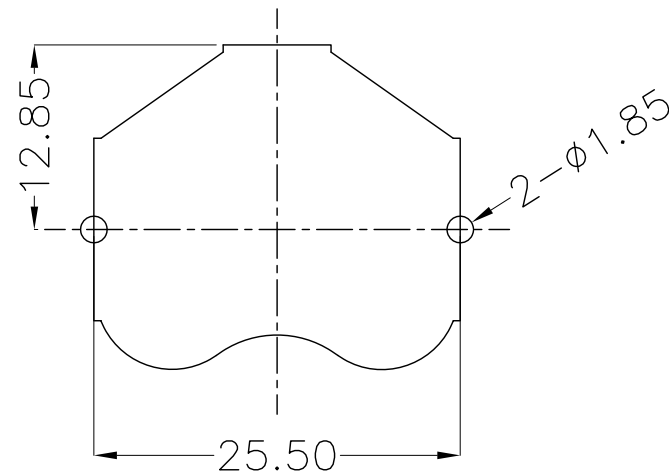
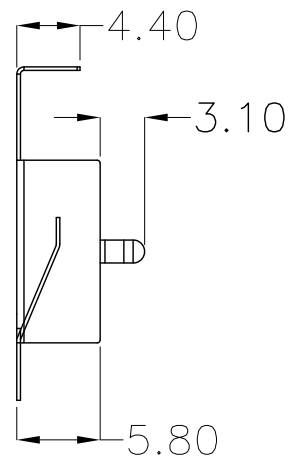
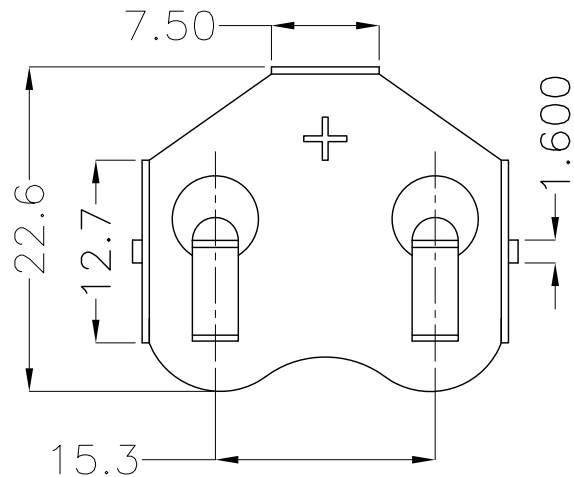


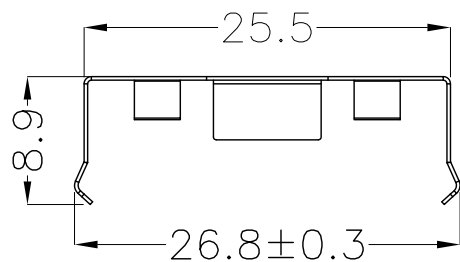


A型

REV.	ECN NO.	REVISED	DATE



PCB Layout Diagram  
Top View



工程部  
2019-06-27  
LQ. HUANG

UNLESS OTHERWISE SPECIFIED TOLERANCES		<b>MYOUNG 美阳</b> <a href="http://www.meiyangdz.com">www.meiyangdz.com</a>			
DECIMALS: X :±0.30 X.X :±0.25 X.XX :±0.20 X.XXX :±0.10	ANGLES: X :±1° X.X :±0.5°	DSND	YangFeng	DATE	2019-06-27
WEIGHT:1.4g		CHKD	ZhouRuicai	DATE	2019-06-27
SHEET 1 OF 1		APVD	XueShunyong	DATE	2019-06-27
		SCALE:	2:1	SIZE:	A4
		VIEW:	⊙ ←	UNIT:	mm
		REV.:	A/2	OBJECT:	MY
		TITLE:		电池扣CR2450-A	
		PART NO.:		MY-2450-02	
		DRAW NO.:WD-CP-0045			

1	TERMINAL(+)	1	PHOSPHOR BRONZE, T=0.25mm	Ni-Plating
NO.	PART NAME	Q'TY	MATERIAL	PLATING & COLOR