

Linear/Saturating Choke



Description

- Linear/saturating choke
- THT-terminals
- Low noise development by using iron powder toroids instead of conventional iron lamination cores
- Flange for mounting onto printed circuit board
- Fully potted resign

Standards

- EN 60938

Applications

- Phase angle control circuits with thyristors, triacs or transistors
- The choke acts at its optimum when it is mounted directly at the interference originator (thyristor, triac)

References

[General Product Information](#)

Weblinks

[Approvals](#), [RoHS](#), [CHINA-RoHS](#), [e-Store](#), [Distributor-Stock-Check](#)

Technical Data

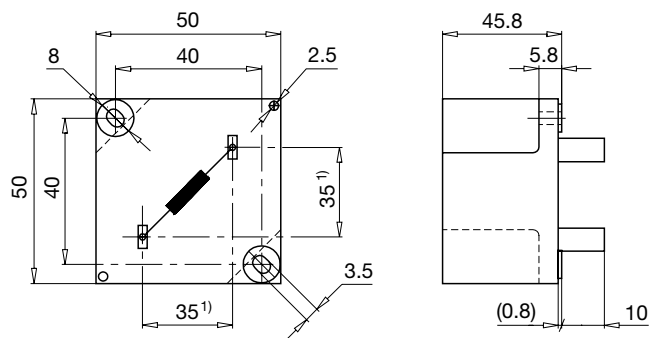
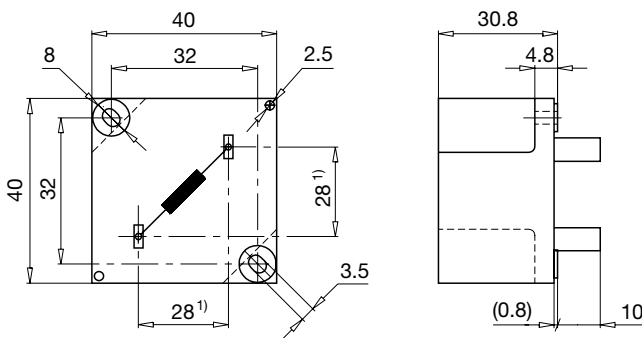
| | |
|---------------------------|---------------------|
| Rated voltage | up to 440 VAC |
| Rated Current | 5 - 45 A @ Ta 45 °C |
| Power Operating Frequency | 50 Hz |
| Terminal technic | THT, Flexible wire |
| Weight | 144 - 1423 g |
| Material: Housing | UL 94V-0 |
| Sealing Compound | UL 94V-0 |

| | |
|---------------------------|-------------------------------|
| Isolation Voltage | 2 kV eff., winding to ambient |
| Climatic Category | 25/100/21 acc. to IEC 60068-1 |
| Allowable Operation Temp. | -25 °C to 100 °C |

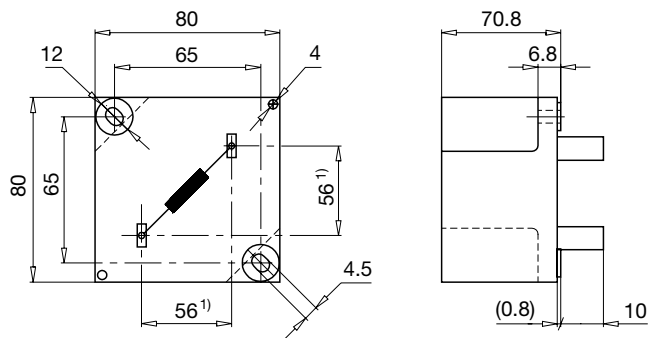
Dimensions

Case 25-P

Case 47-P

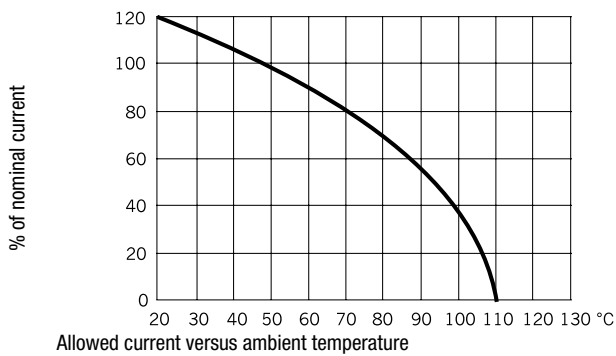


Case 32-P



1) Spacing given at pin base

Derating Curves



Variants

| I_n [A] | L_n [mH] | Inductance drop max [%] | R_{cu} [mΩ] | Tripped Power Dissipation | f_{RES} [MHz] | C_x [μF] | Copper ø [mm] | Weight [g] | Housing | Packing unit [pcs.] | Order Number |
|-----------|------------|-------------------------|---------------|---------------------------|-----------------|------------|---------------|------------|---------|---------------------|----------------|
| 5 | 1 | 60 | 120 | 3 | 0.8 | 0.047 | 1 | 144 | 25-P | 20 | DLFL-0125-0501 |
| 8 | 0.5 | 60 | 54 | 3.5 | 1.32 | 0.1 | 1.25 | 154 | 25-P | 20 | DLFL-0125-08D5 |
| 45 | 0.2 | 70 | 6 | 12 | 1.1 | 1 | 5 | 1423 | 32-P | 2 | DLFL-0132-45D2 |
| 12 | 0.5 | 60 | 38 | 5.5 | 1.16 | 0.1 | 1.7 | 333 | 47-P | 2 | DLFL-0147-12D5 |
| 16 | 0.3 | 60 | 25 | 6.4 | 1.69 | 0.22 | 1.8 | 325 | 47-P | 2 | DLFL-0147-16D3 |
| 25 | 0.15 | 60 | 10 | 6.3 | 2.5 | 0.47 | 2.36 | 336 | 47-P | 2 | DLFL-0147-25D2 |
| 35 | 0.05 | 60 | 5.3 | 6.5 | 3.5 | 1.5 | 1.5 x 4.5 | 338 | 47-P | 2 | DLFL-0147-35C5 |

Inductance drop at I_n