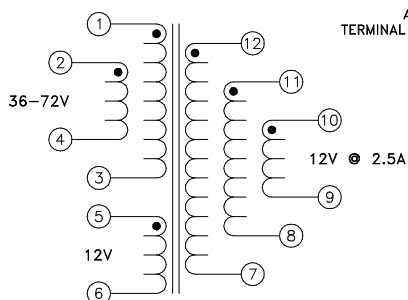
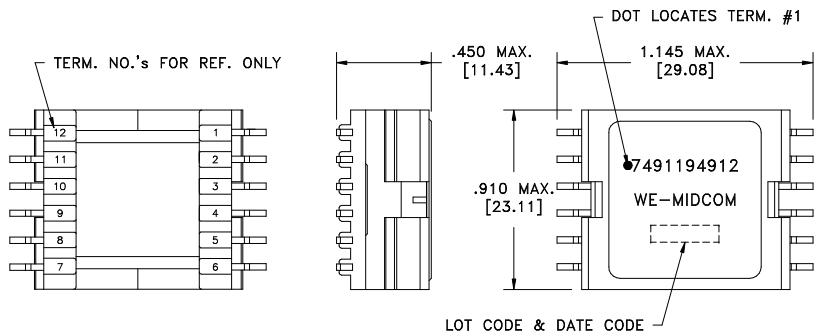
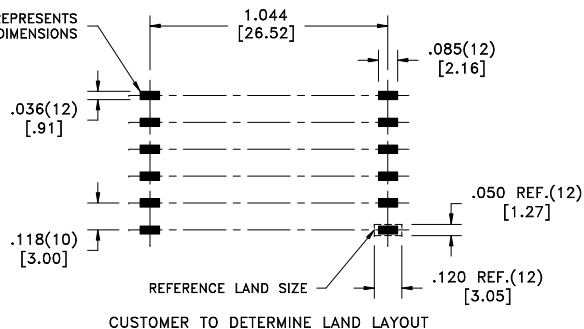


CUSTOMER TERMINAL	RoHS	LEAD(Pb)-FREE
Sn96%, Ag4%	Yes	Yes

more than you expect



Application of the transformer allows for the following groups of terminals to solder bridge:
 1&2, 3&4, 10&11, and 8&9.
 (6B)(6C)



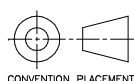
ELECTRICAL SPECIFICATIONS @ 25°C unless otherwise noted:

PARAMETER	TEST CONDITIONS	VALUE
D.C. RESISTANCE	1-3 tie(1+2, 3+4), @20°C	0.061 ohms ±20%
D.C. RESISTANCE	7-12 tie(7+8+9, 10+11+12), @20°C	0.0180 ohms ±20%
D.C. RESISTANCE	5-6 @20°C	0.180 ohms ±20%
INDUCTANCE	1-3 250kHz, 700mVAC, Ls	42.0uH ±10%
INDUCTANCE	1-3 tie(1+2, 3+4), 250kHz, 700mVAC, 2.6ADC, Ls	42.0uH ±10%
LEAKAGE INDUCTANCE	1-3 tie(1+2, 3+4, 5+6+7+8+9+10+11+12), 250kHz, 100mVAC, Ls	545nH max.
DIELECTRIC	1-12 1875VAC, 1 second	1500VAC, 1 minute
URNS RATIO	(1-3):(12-7)	3:1, ±1%
URNS RATIO	(1-3):(11-8)	3:1, ±1%
URNS RATIO	(1-3):(10-9)	3:1, ±1%
URNS RATIO	(1-3):(5-6)	3:1, ±1%
URNS RATIO	(1-3):(2-4)	1:1, ±1%

GENERAL SPECIFICATIONS:

OPERATING TEMPERATURE RANGE: -40°C to +125°C.

REV.	DATE	Packaging Specifications
6D	4/11	Method: Tape & Reel
6C	7/10	PKG-0647
6B	4/09	www.we-online.com/midcom
6A	9/07	SEE REVISION SHEET FOR



CONVENTION PLACEMENT
REVISION LEVEL

Tolerances unless otherwise specified:
 Angles: ±1° Decimals: ±.005 [.13]
 Fractions: ±1/64 Footprint: ±.005 [.13]

This drawing is dual dimensioned. Dimensions in brackets are in millimeters.

DRAWING TITLE

TRANSFORMER

eiSos p/n: 7491194912

PART NO.

7491194912



SPECIFICATION SHEET 1 OF 1