

ADSL CPE SIDE SPLITTER
P/N: AD-8039 DATA SHEET



Bothhand USA. e-mail: sales@bothhandusa.com http://www.bothhand.com

Feature



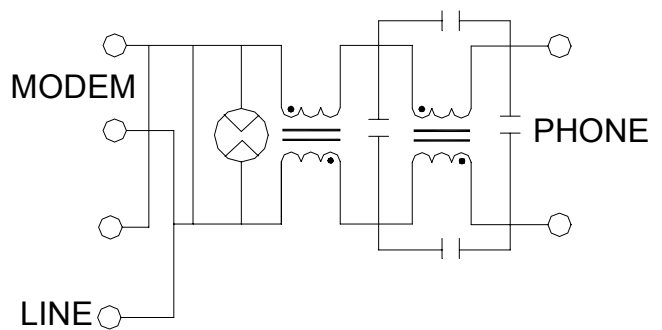
- Compatible package, includes connectors for ease of installation.
- Design for G.dmt Application ,China Specification
- 100mA DC Loop Current Capacity.
- Operating Temperature : -10°C to+60°C.
- Storage Temperature .: -25°Cto +75°C.

Specifications for Low pass POTS Filter for ADSL			
POTS Ports Impedance	600Ω	DC Resistance each line	12.5Ω Max
Insertion Loss @1004KHz	-1dB Max	Return Loss ERL	-6 dB Min
Attenuation Distortion (dB)		SRL-L	-5 dB Min
Short Loop 0.2 ~ 3.4 KHz	+1.5 to -1.5	SRL-H	-3 dB Min
3.4 ~ 4 KHz	+2.0 to -2.0	Longitudinal Balance 0.2 ~1KHz	-58 dB Min
Long Loop 0.2 ~ 3.4 KHz	+0.5 to -1.5	1KHz~3KHz	-53 dB Min
3.4 ~ 4 KHz	+1.0 to -1.5	Attenuation @30~300KHz	-65dB Min
Delay Distortion @0.6-3.2KHz	200uS Max	@300~1104KHz	-55dB Min
@0.2-4.0KHz	250uS Max	Isolation resistance tip/ring	10Mohm Min
		POTS trip and ring DC Voltage	0-105V

Dimension

Schematic

Connector	Function	Style	Tip	Ring
J1	Modem	RJ11	Pin3	Pin4
J2	Line	RJ11	Pin3	Pin4
J3	Phone	RJ11	Pin3	Pin4



ADSL CPE SIDE SPLITTER P/N: AD-8039 DATA SHEET



Bothhand USA. e-mail: sales@bothhandusa.com <http://www.bothhand.com>
Mechanical

