

PRODUCT NUMBER  
75168-YXX-XXLF

INDICATES THE PRODUCT IS RoHS COMPLIANT  
& COMPATIBLE, SEE NOTE 8

TOTAL NB OF POSITIONS 02 TO 36

PLATING:

PIN STYLE SEE SHEET 2

1 = 0.76µm FULL GOLD/GXT, OVER 1.27µm Ni MIN

3 = 3.81µm FULL TIN/LEAD OVER 1.27µm Ni MIN.

WHEN "LF" IS REQUIRED, 2µm MATTE TIN OVER  
1.27µm MIN NICKEL IS PROVIDED INSTEAD OF TIN-LEAD

8 = 0.38µm FULL GOLD/GXT, OVER 1.27µm Ni MIN

NOTES:

1. HOUSING MAT'L : HIGH TEMPERATURE THERMOPLASTIC  
FLAME RETARDANT PER UL94-V0, COLOR BLACK.

2. PIN MATERIAL : PHOSPHOR BRONZE.

3. DIM 1.27<sup>+0.03</sup> FOR MOULDED SIDE(S)  
ONLY. IF SIDE(S) ARE BROKEN, DIM 1.02  
TO 1.7 MAX APPLIES.

4. PIN PUSH OUT FORCE : 12N MIN.

5. PRODUCT PACKAGED IN POLY BAGS.

6. TO DETERMINE DIMENSIONS :  
N = NUMBER OF POSITIONS  
EXAMPLE : 8 POS N x 2.54 = 20.32mm

7. FOR STANDARD SELECTIVE GOLD PLATED  
PRODUCTS, SEE DRAWING 77315.

8. RoHS COMPATIBLE PRODUCT SPECIFICATIONS

a - SUFFIX "LF" IS ADDED JUST FOR EASY  
LEADFREE IDENTIFICATION FOR PLATING VERSION 1 & 8.

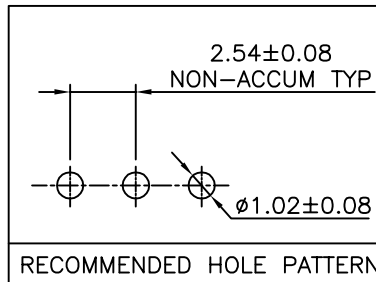
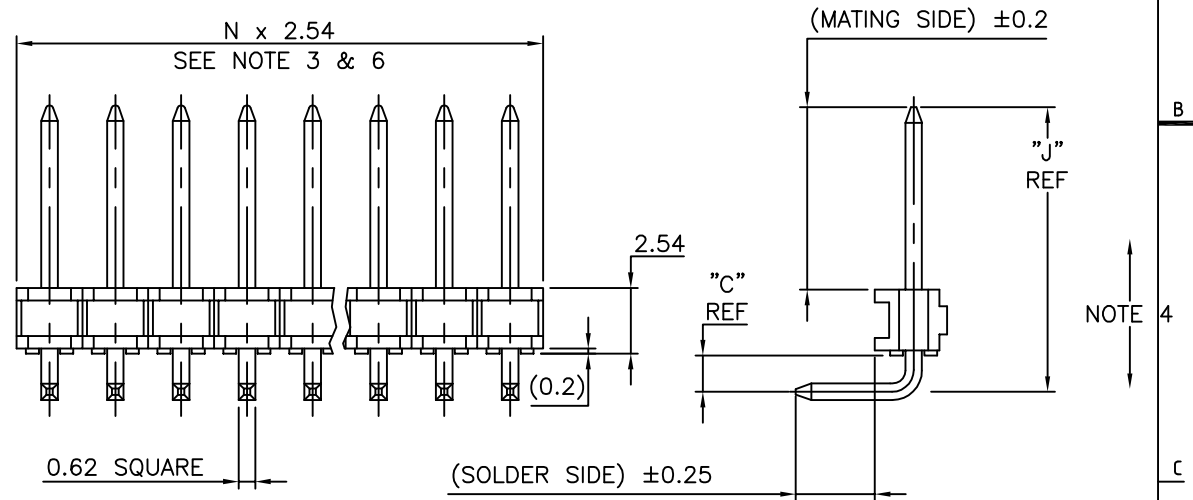
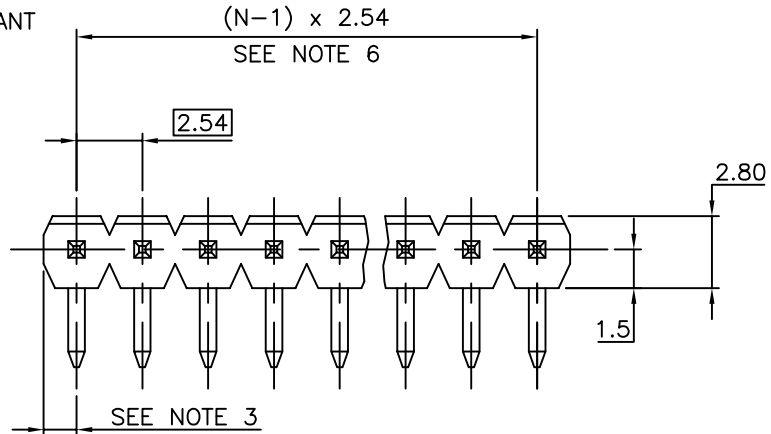
b - MANUFACTURING PROCESS COMPATIBILITY

- THE HOUSING WILL WITHSTAND EXPOSURE TO  
260°C ±5°C SOLDER BATH TEMPERATURE FOR  
5 SECONDS IN A WAVE SOLDER APPLICATION  
WITH A 1.6mm MIN THICK CIRCUIT BOARD.

c - LABELING:

- MEETS PACKAGING SPECS AS PER GS-14-920

d - LEGAL STATEMENT: SEE GS-22-008



mat'l. code SEE NOTE 1		surface ISO 1302	tolerance ISO 406 ISO 1101	projection	product family BSTIK
ltr	ecn no	dr	date	tolerances unless otherwise specified	title
AG	F06-0196	LMU	06.06.20	angles	HEADER,SR,RA, POL,2.54mm
AH	F08-0148	JCO	08.05.27	linear	
AJ	F12-0042	LMU	12.04.04	.x ±0.3 .xx ±0.15 xxx ±0.05	scale 5:1
AK	F12-0802	LMU	12.10.25	dr	MULIN L
				enfr	JMC
AE	F20149	DLE	02.02.19	chr	
AF	F05-0186	LMU	05.05.02	appd	JMC
sheet index	revision sheet	AK	AG		
		1	2		



FCIconnect.com

Copyright FCI

APPLICATION SPECIFIC

PIN	STYLE	MATING	SOLDER	"C"	"J"
01		5.72	2.57	1.4	9.65
02		5.72	5.11	1.4	9.65
03		5.72	7.65	1.4	9.65
04		5.72	10.19	1.4	9.65
05		5.72	12.73	1.4	9.65
06		5.72	15.27	1.4	9.65
07		5.72	5.11	3.94	12.19
08		5.72	7.65	3.94	12.19
09		5.72	10.19	3.94	12.19
10		5.72	12.73	3.94	12.19
11		5.72	15.27	3.94	12.19
13		5.72	3.45	1.4	9.65
14		5.72	5.99	3.94	12.19
15		5.72	8.53	6.48	14.73
16		8.51	3	1.4	12.45
17		8.51	5.54	3.94	14.99
19		5.72	3.05	1.4	9.66
20		5.84	2.29	1.4	9.78
21		5.72	11.07	9.02	17.27
22		11.71	3.2	1.4	15.65
23		3	2.94	1.94	7.44
24		4.8	6.16	1.94	9.28
27		3.55	3.3	1.4	7.49
28		10	3.2	1.4	13.94
29		7.30	7.30	1.4	11.24
30		8.10	12.50	1.4	12.04
31		6.70	3.00	1.4	10.64

mat'l. code		surface		tolerance		projection		product family		
SEE SHEET 1		ISO 1302 ✓		ISO 406 ISO 1101				BSTIK		
ltr	ecn no	dr	date	tolerances unless otherwise specified		mm		title		
AG	F12-0802	LMU	12.10.25	angles	linear			HEADER,SR,RA, POL,2.54mm		
AB	F00196	LMU	00.04.19			scale				
AC	F10167	LMU	01.03.12	dr	MULIN L	99.03.29	dwg no		sheet 2 of -	size
AD	F20116	DLE	02.01.15	enfr	JMC	99.03.29	75168		A3	
AE	F06-0196	LMU	06.06.20	chr			type		CUSTOMER	Drawing
AF	F12-0042	LMU	12.04.04	appd	JMC	99.03.29				
sheet	revision									
index	sheet									