

61 KRESS 03/02 - 09/05

Screw terminal blocks, pitch 3.5/5.0/10.0 mm



Screw terminal block, clamp with wire protector, upright version, stringable without loss of pitch

---

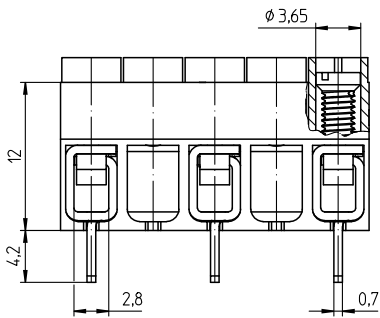
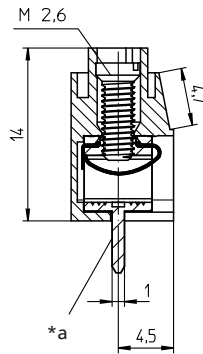
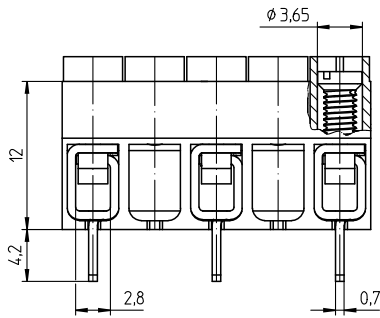
State: Active

---

Approvals:   

---

61 KRESS 03/02 - 09/05



\*a bore hole of printed circuit board  $\varnothing$  1.3 mm

**Environmental conditions**

Temperature range -25 °C/+125 °C<sup>1</sup>

<sup>1</sup> upper limit temperature (insulating body) RTI (electrical) of the UL Yellow Card

**Materials**

Insulating body	PA, V-2 according to UL94
Clamp	CuZn, pre-nickel and tin-plated
Wire protector	CuSn, pre-nickel and tin-plated
Screw	steel, zinc-plated and chromatiert

**Mechanical data**

Screw size	M2,6
Tightening torque screw	0,4 Nm

**Connectable conductors for screw clamp**

Section	0,2–2,5 mm <sup>2</sup> (AWG 24/22–12)
Stripping length	7 ± 1,0 mm

**Electrical data (at T<sub>amb</sub> 20 °C)**

Rated current	15 A (VDE, T <sub>0</sub> 100 °C) 10/20 A (UL)
Rated voltage	1000 V AC (VDE) 300 V (UL)
Material group	I (IEC)/0 (UL) (CTI ≥ 600)
Creepage distance	9,3 mm
Clearance	9,3 mm
Insulation resistance	> 1 GΩ

61 KRESS 03/02 - 09/05

Designation	Pole Number	PU (Pieces)	MDQ (Pieces)	Dimensions L (mm)
KRESS 03/02	2	200	1000	15
KRESS 05/03	3	200	1000	25
KRESS 07/04	4	200	1000	35
KRESS 09/05	5	200	1000	45

**Packaging:**

in bulk, in a cardboard box