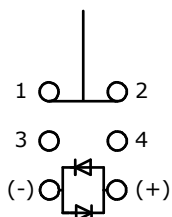
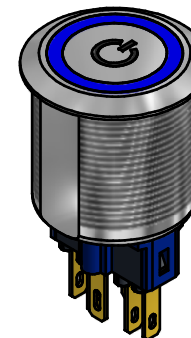
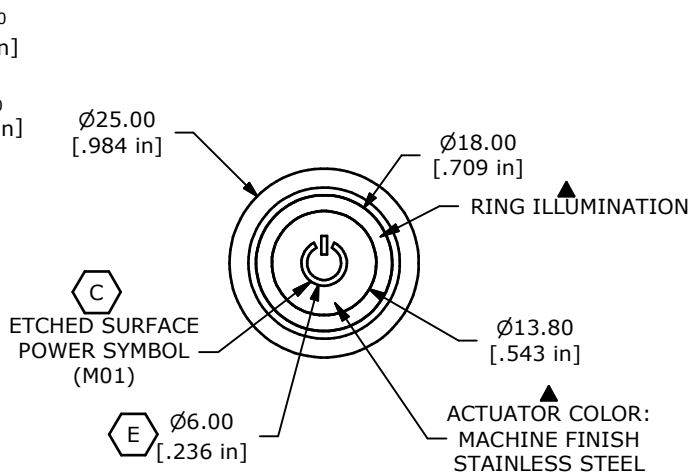


**OPTIONAL PANEL CUTOUT**  
MAX. PANEL THICKNESS 12mm

**RECOMMENDED PANEL CUTOUT**  
MAX. PANEL THICKNESS 12mm

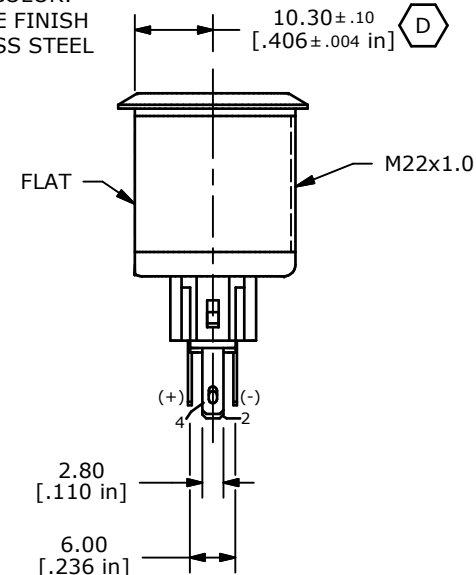
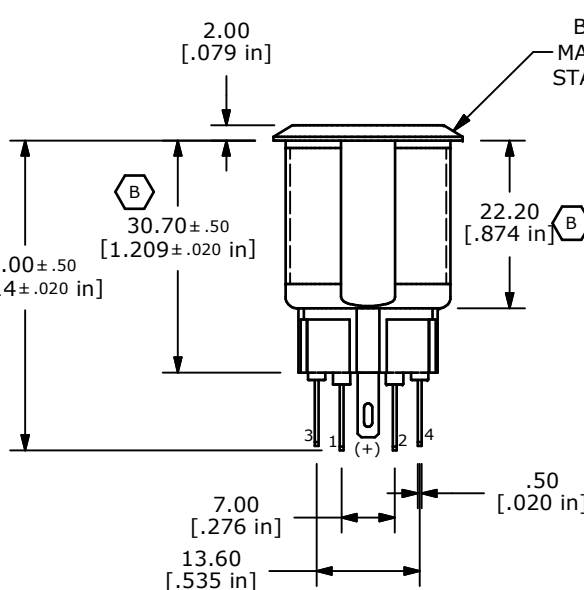


**CONTACT CONFIGURATION**

SWITCH FUNCTION	
POS. 1	POS. 2
1-2	3-4

**NOTE:**

1. ALL DIMENSIONS IN MM [INCH]
2. GENERAL TOLERANCE: X.X = ± 0.4  
X.XX = ± 0.25
3. TERMINAL NOS. FOR REF. ONLY
- ▲ 4. FUNCTION: SPDT
- ▲ 5. RATING: 2A @ 48VDC
6. ILLUMINATION VOLTAGE: 2.8V 20mA
7. CONTACT RESISTANCE: 50mΩ MAX. @ 1A 12VDC
8. INSULATION RESISTANCE: 1,000MΩ @ 500VDC
9. DIELECTRIC STRENGTH: 2,000VAC MIN. FOR 1 MINUTE
10. ELECTRICAL LIFE: 50,000 CYCLES
11. OPERATING TEMPERATURE: -20°C TO 55°C
12. INGRESS PROTECTION: IP65
13. ▲ DENOTES CRITICAL PARAMETER
13. 2002/95/EC (ROHS) COMPLIANT
- ▲ 14. ILLUMINATION COLOR: BLUE (FORWARD), BLUE (REVERSE)
15. HARDWARE INCLUDED: HEX NUT AND O-RING (NOT SHOWN)



E	21523	6.00 WAS 7.00	7/24/14	EBP
D	21459	ADD FLAT TO BODY	5/21/14	EBP
C	20908	CLARIFY SYMBOL	12/5/12	EBP
B	20318	REVISED DIMENSIONS	12/2/11	BGL
A	20107	RELEASE FOR PRODUCTION	8/19/11	BGL
REV	PCR NO	DESCRIPTION	DATE	BY

THE INFORMATION CONTAINED IN THIS DOCUMENT IS PROPRIETARY TO E-SWITCH AND IS NOT TO BE COPIED OR TRANSFERRED



TITLE PV7F2T0SS-341-M01

SCALE	DATE	DR	DWG	REV
1:1	8/19/2011	BGL	52-PV7F2T0SS341M01	E