

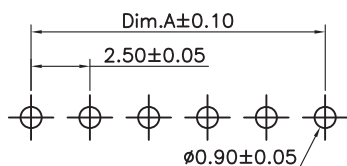
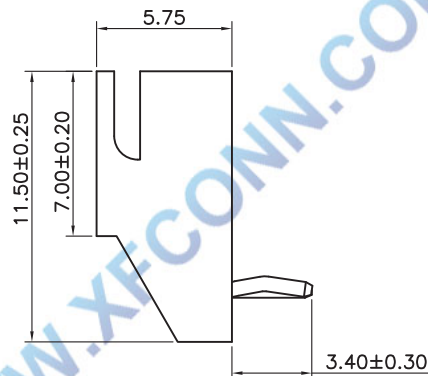
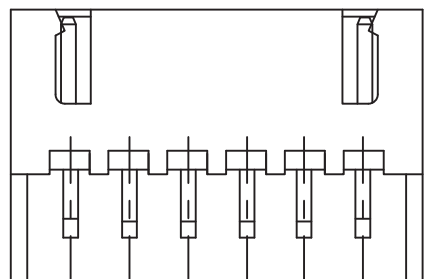
SPECIFICATIONS

- 1.Voltage rating: 250V AC, DC
- 2.Current rating: 3A, AC, DC
- 3.Withstanding Voltage: 1000V AC/minute
- 4.Insulation resistance:1000M min
- 5.Temperature range: -25 ° C~+85 ° C
- 6.Contact resistance: 10m max

WAFER

Housing Material: Nylon UL 94V-0 (2)
 Pin Material: Phosphor Bronze or Brass
 Contact Area Plating: Plated Tin or Plated Gold
 Mates with :P2501 series Housing
 Poles:02-15P
 Part No.: M2501R-K-xx-N0

Pin位数



PCB LAYOUT

Dimension:

POS.	Dim.A	Dim.B	POS.	Dim.A	Dim.B	POS.	Dim.A	Dim.B
2	2.50	7.50	9	20.00	25.00	16	37.50	42.50
3	5.00	10.00	10	22.50	27.50	17	40.00	45.00
4	7.50	12.50	11	25.00	30.00	18	42.50	47.50
5	10.00	15.00	12	27.50	32.50	19	45.00	50.00
6	12.50	17.50	13	30.00	35.00	20	47.50	52.50
7	15.00	20.00	14	32.50	37.50			
8	17.50	22.50	15	35.00	40.00			

				TOLERANCE UNLESS OTHERWISE		DRAWN	CK tan	XFCN兴飞连接器有限公司 CONNECTORS XFCN CONNECTORS CO., LTD.		SHEET	1/1	
				X.	±0.30	X°	±5°			CHKD	DATE	2010. 4. 12
				.X	±0.20	.X°	±2°	APPD	PRODUCT NAME	2.50mm Crimp Style Connectors	UNITS	mm
				.XX	±0.08	.XX°	±1°	VIEW	PART. NO.	M2501R-K-xx-N0	SCALE	1:1
				.XXX	±0.03	.XXX°	±0.5°				DWG NO.	009
AO	MODIFICATION		DRAW	DATE								