

Model:3TA8350-400

Characteristics:

full sealed, epoxy encapsulated, high dielectric strength, three phase current combination detection, adopting nanocrystalline core.

Technical index:

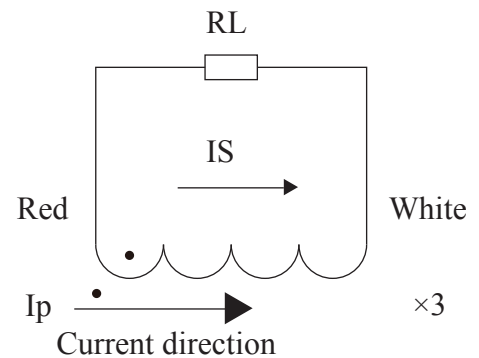
Mounting type: Suspend
 Material of the core: Nanocrystalline
 Flame resistance: UL94-V0
 Execution standard: GB1208-2006
 Operating temperature: $-35^{\circ}\text{C} \sim +85^{\circ}\text{C}$
 Storage temperature: $-45^{\circ}\text{C} \sim +95^{\circ}\text{C}$
 Frequency range: 20Hz-20KHz
 Dielectric strength: 3.5KV 50Hz 1min



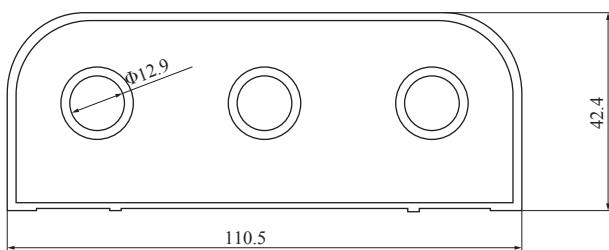
Electrical parameters:

Rated input	0-100	A
Max.input		A
Rated output	0-25	mA
Turns ratio	1: 4000	
Accuracy	± 1	%
Linearity	≤ 0.2	%
Phase difference		
Max.sampling resistance	500	Ω
Weight	158	g

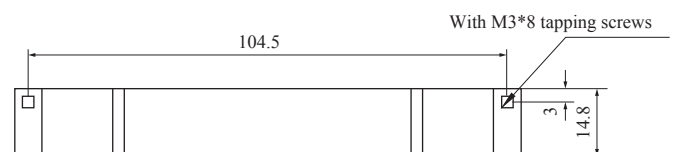
Schematic diagram:



Dimensions (in mm) :



Front view



Bottom view