

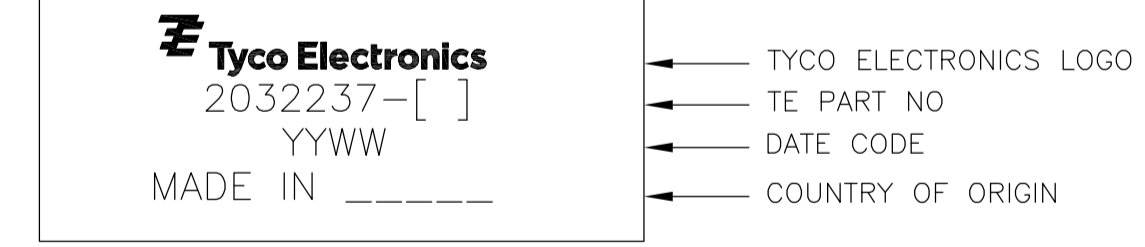
20	+0.12	-0	METERS	2-2032237-1
19	+0.12	-0	METERS	2-2032237-0
18	+0.12	-0	METERS	1-2032237-9
17	+0.12	-0	METERS	1-2032237-8
16	+0.12	-0	METERS	1-2032237-7
15	+0.12	-0	METERS	1-2032237-6
14	+0.12	-0	METERS	1-2032237-5
13	+0.12	-0	METERS	1-2032237-4
12	+0.12	-0	METERS	1-2032237-3
11	+0.12	-0	METERS	1-2032237-2
10	+0.12	-0	METERS	1-2032237-1
9	+0.1	-0	METERS	1-2032237-0
8	+0.1	-0	METERS	2032237-9
7	+0.1	-0	METERS	2032237-8
6	+0.1	-0	METERS	2032237-7
5	+0.1	-0	METERS	2032237-6
4	+0.08	-0	METERS	2032237-5
3	+0.08	-0	METERS	2032237-4
2	+0.08	-0	METERS	2032237-3
1	+0.05	-0	METERS	2032237-2
0.5	+0.05	-0	METERS	2032237-1
L				PART NO

1. CHARACTERISTIC IMPEDANCE: 100±10 OHMS (MEASURED DIFFERENTIALLY).

2 LABEL INFORMATION:



3 LABEL INFORMATION:

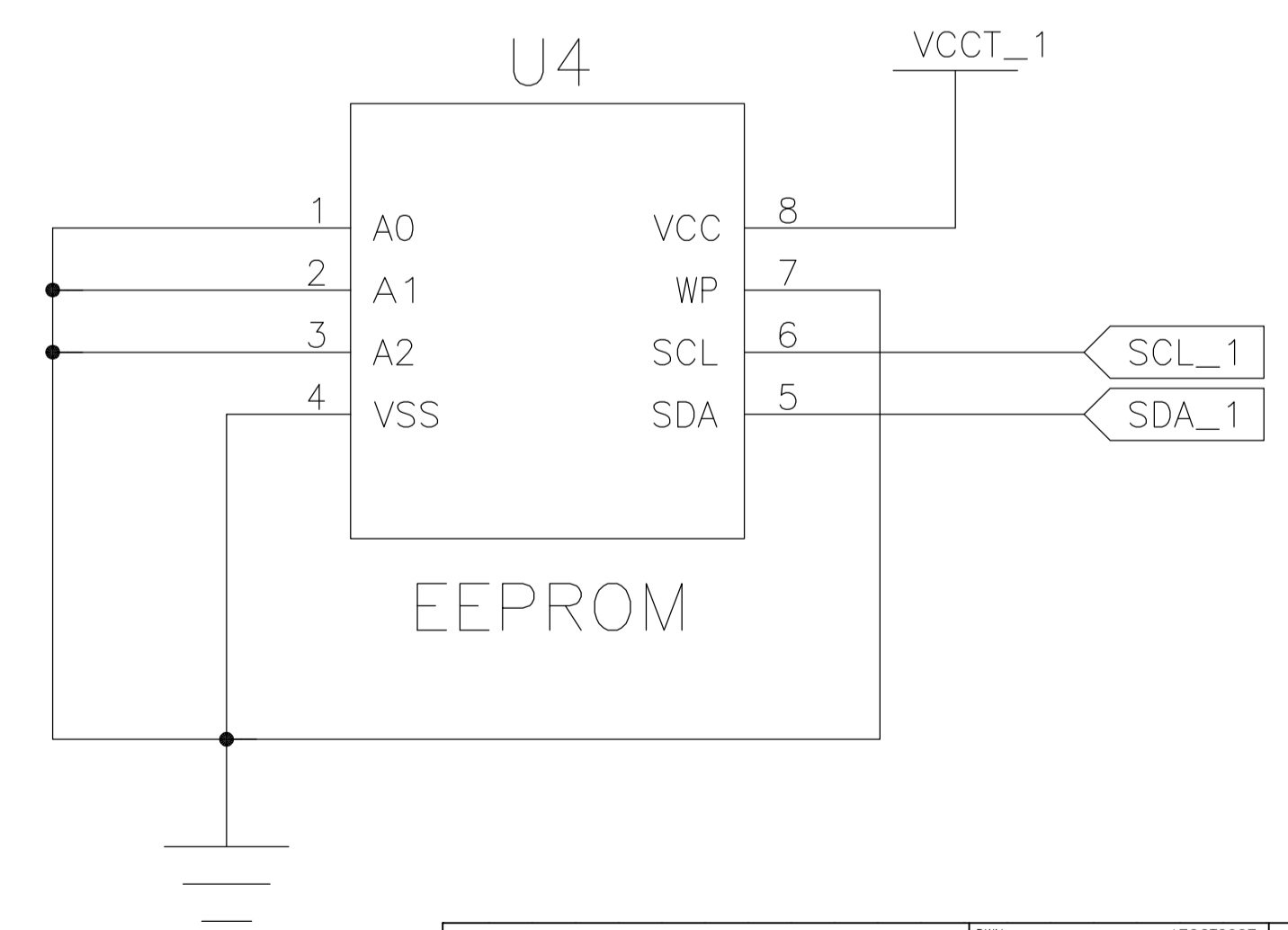
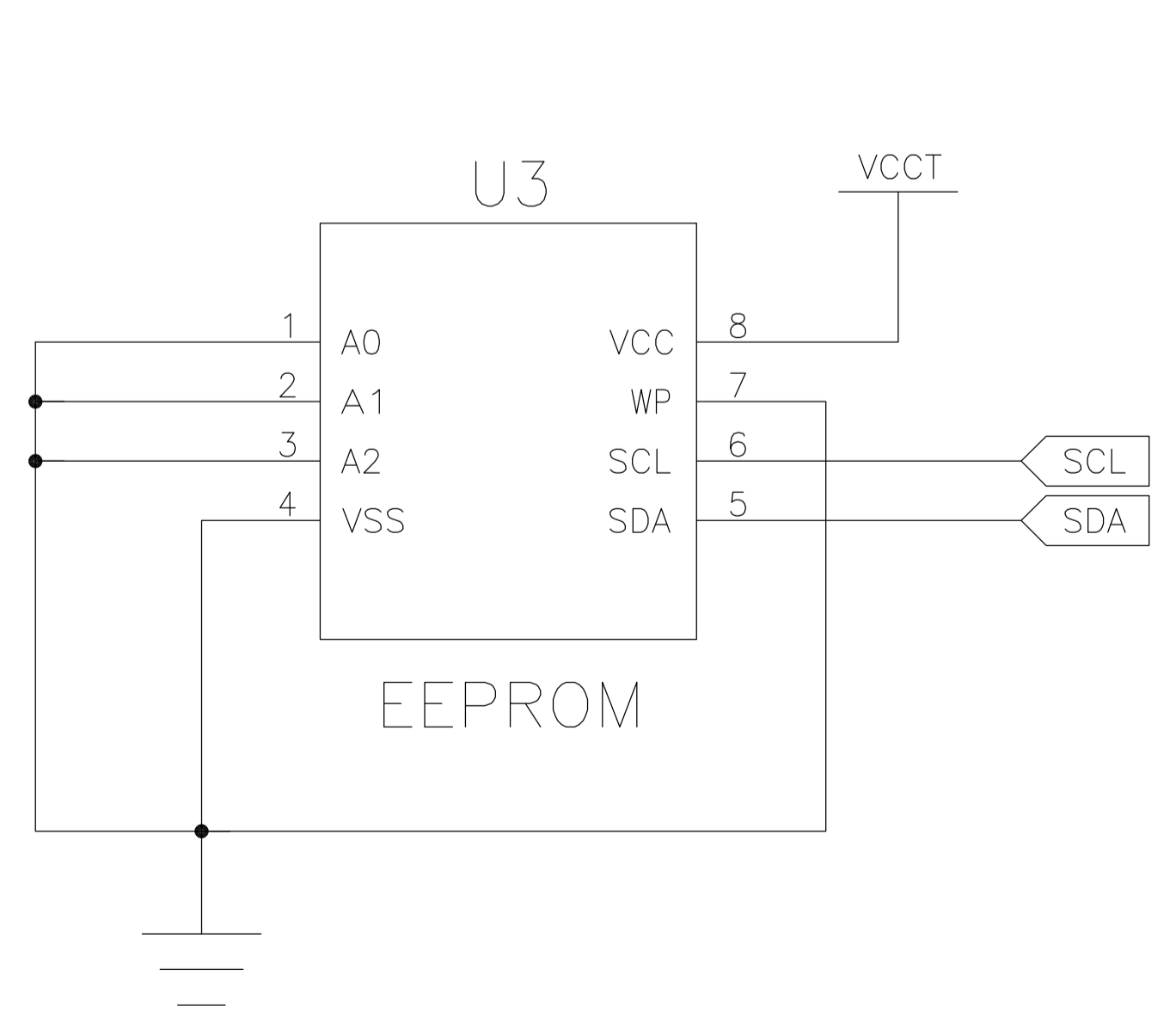
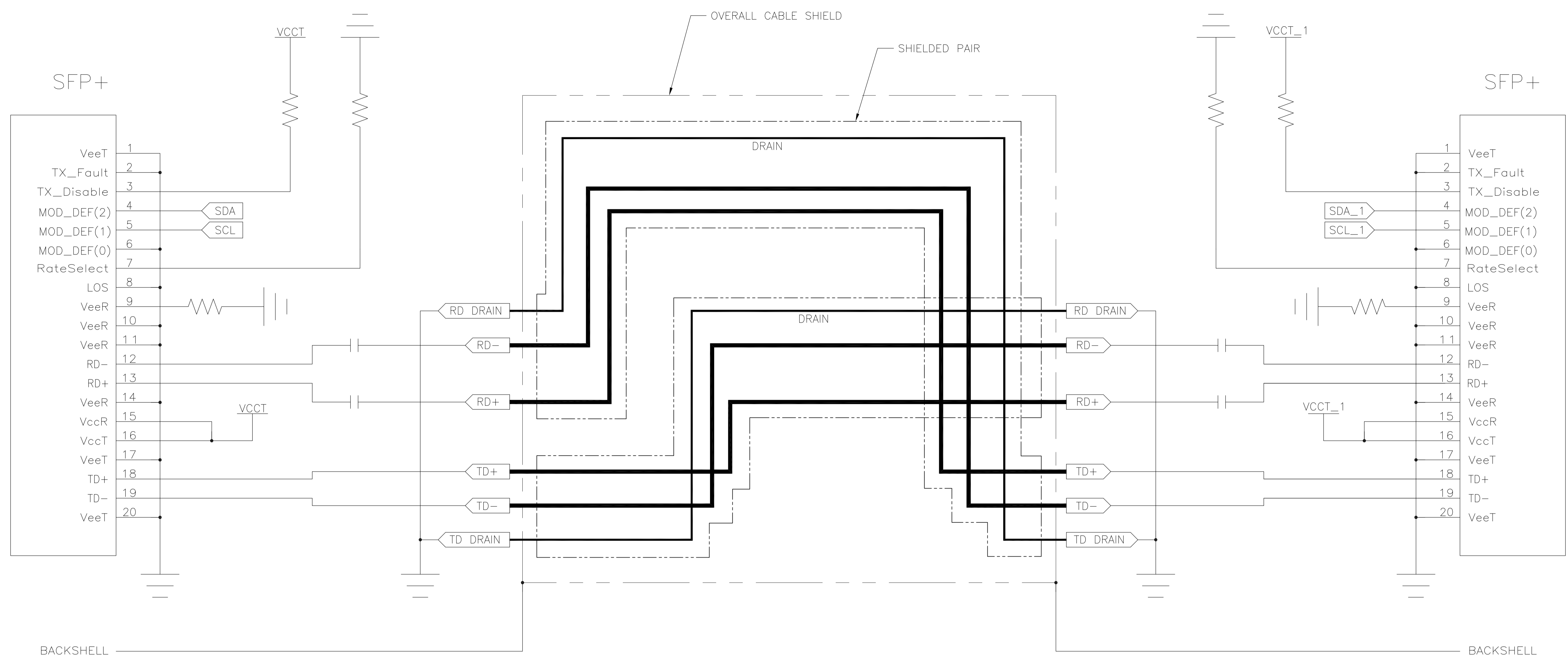


5. SEE SHEET 2 FOR WIRING SCHEMATIC.

6. ROHS COMPLIANCE: PRODUCT AND PROCESSING MEETS REQUIREMENTS OF TYCO ELECTRONICS SPECIFICATION 230-702 2.2.B.

THIS DRAWING IS A CONTROLLED DOCUMENT.

DIMENSIONS: mm	TOLERANCES UNLESS OTHERWISE SPECIFIED:	DIN T. SMITH 17OCT2007	Tyco Electronics Corporation Harrisburg, PA 17105-3608
0 PLC ± -	1 PLC ± -	CHK D. LAWRENCE 17OCT2007	
2 PLC ± -	3 PLC ± -	APVD D. LAWRENCE 17OCT2007	NAME
4 PLC ± -	ANGLES ± -		CABLE ASSY, 24 AWG, SFP+ TO SFP+
MATERIAL	FINISH	SIZE	CAGE CODE
		WEIGHT	DRAWING NO
			RESTRICTED TO
		CUSTOMER DRAWING	SCALE 1:1 SHEET 1 OF 2 REV F



THIS DRAWING IS A CONTROLLED DOCUMENT.		DN T. SMITH 17OCT2007	Tyco Electronics Corporation Harrisburg, PA 17105-3608
DIMENSIONS: mm		CHK D. LAWRENCE 17OCT2007	
TOLERANCES UNLESS OTHERWISE SPECIFIED:		APVD D. LAWRENCE 17OCT2007	NAME CABLE ASSY, SFP+ TO SFP+
0. PLC	±	PRODUCT SPEC	
1. PLC	±	APPLICATION SPEC	
2. PLC	±		
3. PLC	±		
4. PLC	±		
ANGLES	±		
MATERIAL	FINISH	WEIGHT	RESTRICTED TO
		A1 00779 ©=2032237	
CUSTOMER DRAWING		SCALE 1:1	SHEET 2 OF 2 REV F