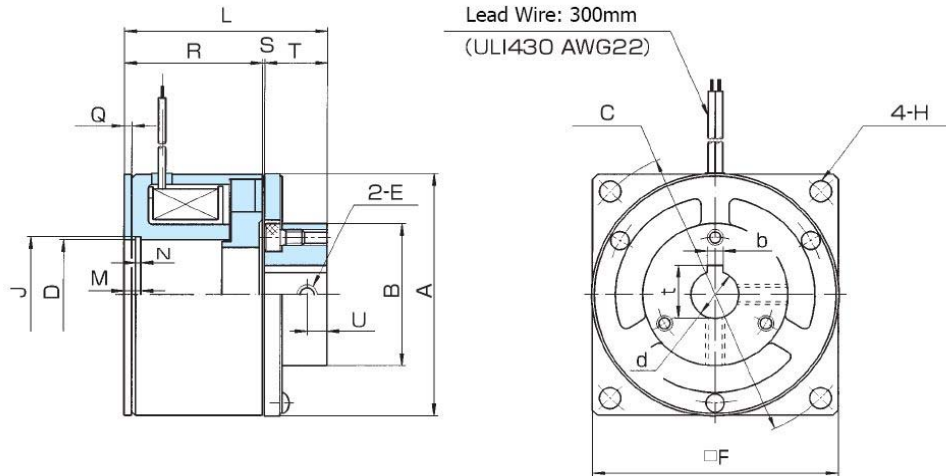


AMB

Micro EM Brake

Types: 2.5, 5, 10, 20, 40, 80

[EM: Electromagnet]



| AMB | | 2.5 | 5 | 10 | 20 | 40 | 80 |
|---|--------------------|-----------------------|-----------------------|-----------------------|-----------------------|-----------------------|-----------------------|
| Static Torque [in-lbs / N-m] | | 2.2 / 0.25 | 4.4 / 0.5 | 8.9 / 1 | 18 / 2 | 35 / 4 | 71 / 8 |
| Coil (20°C) | Voltage [DC-V] | 24 | | | | | |
| | Current [A] | 0.13 | 0.17 | 0.25 | 0.26 | 0.38 | 0.48 |
| | Resistance [Ω] | 192 | 144 | 96 | 94 | 64 | 50 |
| | Wattage [W] | 3 | 4 | 6 | 6.1 | 9 | 11.5 |
| | Time Constant [ms] | 4 | 7 | 10 | 11 | 19 | 24 |
| Armature | Pull-In Time [ms] | 10 | 13 | 17 | 21 | 32 | 37 |
| | Release Time [ms] | 15 | 20 | 25 | 26 | 40 | 45 |
| Torque Build-Up Time [ms] | | 15 | 17 | 27 | 35 | 55 | 60 |
| Max Allowable Speed [rpm] | | 3600 | 3600 | 3600 | 3600 | 3600 | 3600 |
| Moment of Inertia (J) [kg-cm ²] | | 0.035 | 0.055 | 0.103 | 0.193 | 0.495 | 1.05 |
| Max Air Gap Until Adjustment [mm] | | 0.4 | 0.45 | 0.55 | 0.6 | 0.7 | 0.7 |
| Total Energy Until Adjustment [J] | | 2.8 x 10 ⁶ | 4.5 x 10 ⁶ | 7.5 x 10 ⁶ | 1.2 x 10 ⁷ | 1.8 x 10 ⁷ | 2.7 x 10 ⁷ |
| Total Energy Until Life [J] | | 8.7 x 10 ⁶ | 1.4 x 10 ⁷ | 2.3 x 10 ⁷ | 3.8 x 10 ⁷ | 5.8 x 10 ⁷ | 8.5 x 10 ⁷ |
| Max Work Rate [W] | | 18 | 20 | 26 | 30 | 40 | 55 |
| Bore [mm] | dH8 | 6 | 6 | 8 | 10 | 12 | 15 |
| Key Way [mm] | bE9 | 2 | 2 | 2.5 | 4 | 4 | 5 |
| | t+0.1/-0 | 6.9 | 6.9 | 8.9 | 11.5 | 13.5 | 17 |
| Dimensions [mm] | A | 35 | 40 | 46 | 51 | 61 | 70 |
| | B | 22 | 22 | 26 | 31 | 36 | 40 |
| | C | 42 | 48 | 56 | 63 | 74 | 84 |
| | DH7 | 15 | 15 | 22 | 26 | 28 | 32 |
| | E | M3 | M3 | M4 | M4 | M5 | M5 |
| | F | 35 | 40.2 | 46.2 | 53 | 61 | 70.2 |
| | H | 3.3 | 3.3 | 4.5 | 4.5 | 5.3 | 5.3 |
| | J | 15.7 | 15.7 | 23 | 27.2 | 29.4 | 33.7 |
| | L | 31 | 31 | 39.8 | 44.3 | 50.5 | 53.5 |
| | M | 3.5 | 3.5 | 3.5 | 4.2 | 4.2 | 4.2 |
| | N | 1.15 | 1.15 | 1.15 | 1.35 | 1.35 | 1.35 |
| | Q | 1.4 | 1.4 | 1.4 | 1.4 | 1.9 | 1.9 |
| | R | 21.8 | 21.8 | 27.55 | 30.05 | 34.5 | 35.5 |
| S | 0.15~0.25 | 0.15~0.25 | 0.2~0.3 | 0.2~0.3 | 0.25~0.35 | 0.25~0.35 | |
| T | 9 | 9 | 12 | 14 | 15.7 | 17.7 | |
| U | 3 | 3 | 4 | 5 | 5 | 5 | |
| Weight [lbs / kg] | | 0.28 / 0.13 | 0.37 / 0.17 | 0.56 / 0.25 | 0.82 / 0.37 | 1.3 / 0.6 | 1.9 / 0.9 |

[1" = 25.4mm]