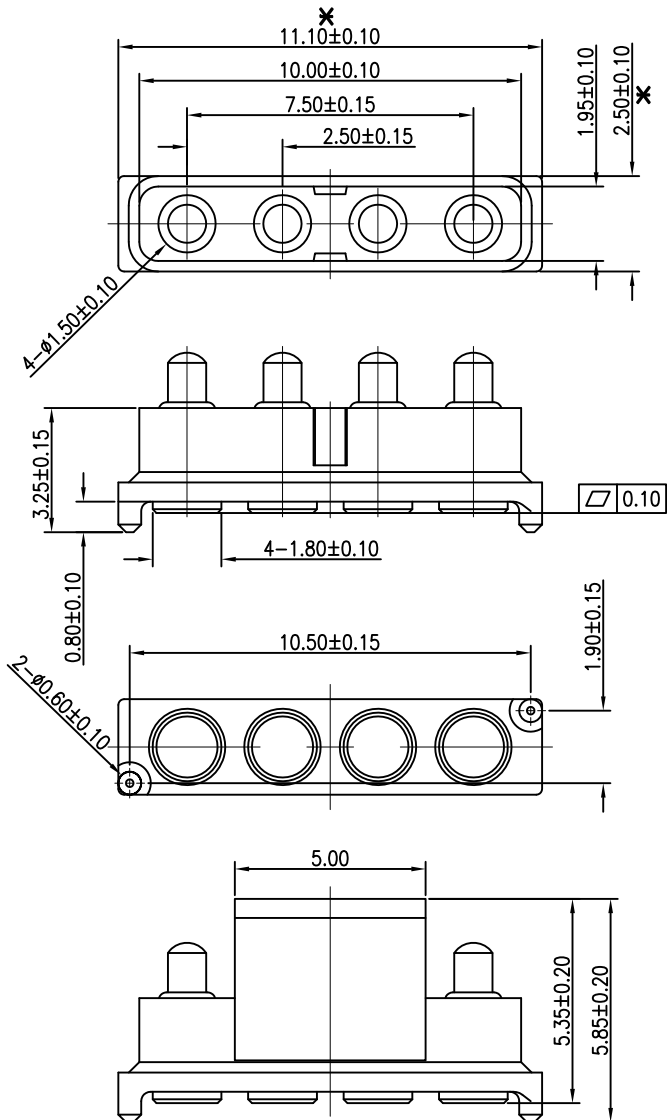
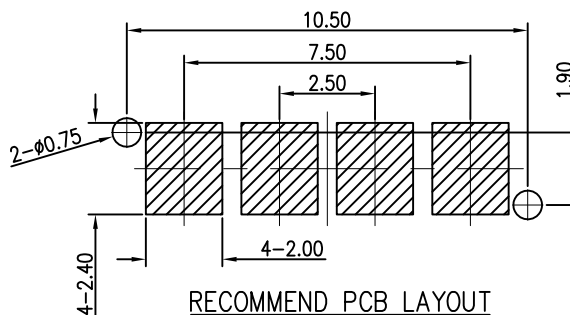
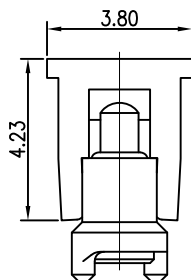
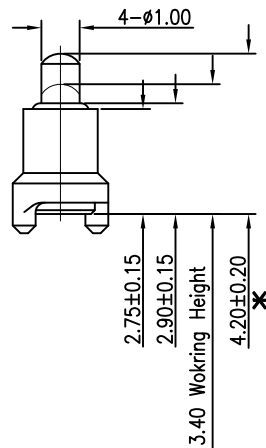


NOTES:

- Materials:
 - .Housing&Cap: Black HTN(UL94V-0)
 - .Plunger: Brass C3604
 - .Barrel: Brass C3604
 - .Spring: SUS304
- Plating:
 - .Contact Surface:10 micro-inch minimum Au over 50~100 micro-inch Ni.
- Electrical
 - .Rated Current & Voltage: DC 50V; 1A
 - .Contact Resistance: 50 mohm maximum at Working Height(Quiescence)
- Mechanical
 - .Spring Force: 120g±20% at Normal Working Height
 - .Durability: 10,000 cycles(minimum)
- .When the current is greater than 1A then need to increase the time delay circuit(3 second)
- .To ensure the best usage, please operate it based on the working Height.
 - .Based on the Engineering Drawings, shall not exceed the maximum allowed compression.
- .RoHs and HF compliant product.
- .Operation temperature at -40°C to +105°C



NOTES: ALL DIMENSIONS AND NOTES MARKED * ARE CRITICAL AND MUST BE CHECKED IN ACCORDANCE WITH QUALITY DOC. QI-02A



RECOMMEND PCB LAYOUT
Layout Tolerance: ±0.05mm

Leo	4	23.04.14	A427
Leo	3	13.11.13	A419
Allan	2	28.02.08	A113
Allan	1	01.08.06	-

NAME	ISS.	DATE	C/NOTE
------	------	------	--------

APPROVED: B.Lim

CHECKED: D.P

DRAWN: Leo

CUSTOMER REF.:

ASSEMBLY DRG:

HARWIN

HARWIN USA
TEL: 603 893 5376
FAX: 603 893 5396
mis@harwin.com

HARWIN Europe (UK)
TEL: 023 9231 4545
FAX: 023 9231 4590
mis@harwin.co.uk

HARWIN Asia
TEL: +65 6 779 4909
FAX: +65 6 779 3868
mis@harwin.com.sg

THIS DRAWING AND ANY INFORMATION OR DESCRIPTIVE MATTER SET OUT HEREON ARE CONFIDENTIAL AND COPYRIGHT PROPERTY OF THE HARWIN GROUP AND MUST NOT BE DISCLOSED, LOANED, COPIED OR USED FOR MANUFACTURING, TENDERING OR FOR ANY OTHER PURPOSE WITHOUT THEIR WRITTEN PERMISSION.

TOLERANCES
0~6.0 = ±0.05mm
>6~30 = ±0.10mm
>30~120 = ±0.15mm
X. = ±2°
X.X = ±1°
X.XX = ±0.5°
UNLESS STATED

MATERIAL: SEE NOTES
FINISH: SEE NOTES
S/AREA: mm?

TITLE: PITCH 2.5mm HEIGHT 4.2mm
4-POS POGO PIN CONNECTOR

DRAWING NUMBER: P20-0445R