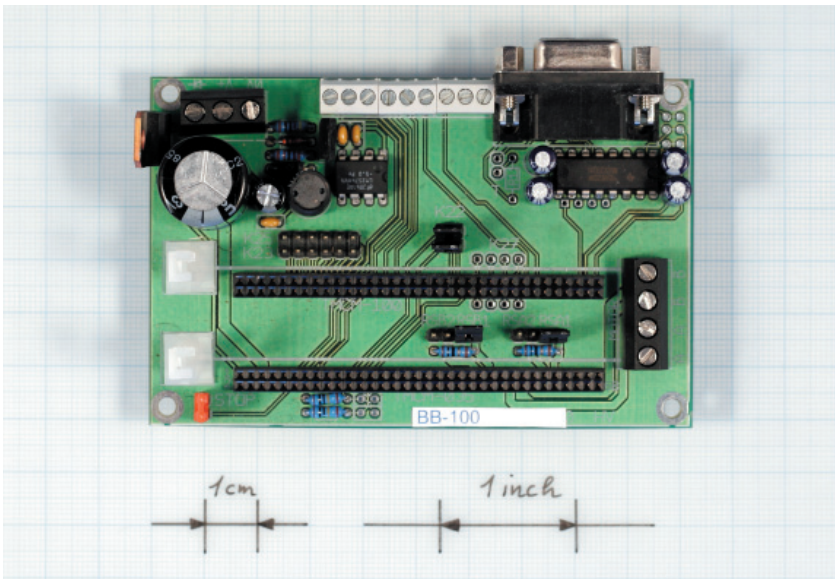




# BB-100



## Baseboard for 1x TMCM-100 + 1x TMCM-035

The BB-100 is designed for the TMCM-100 sophisticated stepper controller to control a TMCM-035 (SG) driver. All important signal and power lines are accessible via screw terminals. The integrated switch-mode regulator provides the required 5V supply voltage for the modules. The integrated level shifter enables direct connection to a PC via RS-232 cable (RS-485 or CAN optionally).

**Features**

- 1 slot for the TMCM-100 motion control module and one slot for a TMCM-035 power driver
- 256 microstep motor driver resolution
- integrated 5V power supply
- protection: Overvoltage suppressor and inverse polarity

**Electrical data**

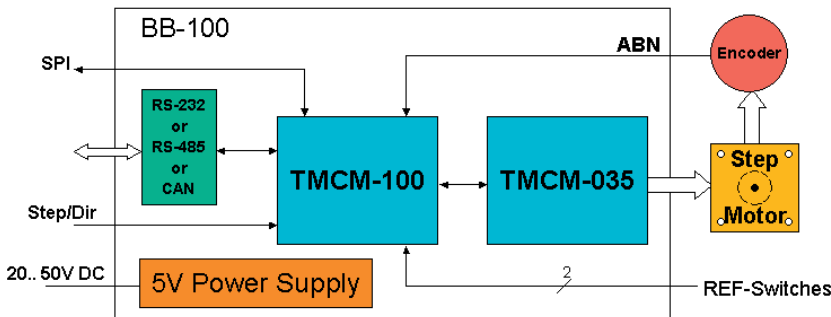
- 15V to 50V DC supply voltage

**Interface**

- all options of the TMCM100 are supported
- 2 x limit switch,
- 4 general purpose digital/analog in,
- 4 general purpose digital out

**Others**

- screw terminal connectors for I/O signals
- size: 100x65mm<sup>2</sup>, 60mm height



| ORDER CODE       | DESCRIPTION                       |
|------------------|-----------------------------------|
| BB-100 (-option) | baseboard for TMCM-100 & TMCM-035 |
| OPTION           |                                   |
| - 232            | RS-232 Interface (standard)       |
| - 485            | RS-485 interface (on request)     |
| - CAN            | CAN interface (standard)          |

For further detailed information and datasheets please refer to our website <http://www.trinamic.com>.