



SMB Jack Connector Clamp/Solder Attachment for RG178, RG196

RF Connectors Technical Data Sheet

PE4269

Configuration

- SMB Jack Connector
- 50 Ohms
- Straight Body Geometry
- RG178, RG196 Interface Type
- Clamp/Solder Attachment

Features

- Max. Operating Frequency 4 GHz
- Good VSWR of 1.46:1
- Gold Plated Brass Contact
- Contact plating according to MIL-PRF-39012

Applications

- General Purpose Test
- Custom Cable Assemblies

Description

Pasternack's PE4269 SMB jack connector with clamp/solder attachment for RG178 and RG196 is part of our full line of RF components available for same-day shipping. Our SMB jack connector operates up to a maximum frequency of 4 GHz and offers good VSWR of 1.46:1.

Our SMB jack connector PE4269 datasheet specifications and drawing with dimensions are shown below in this PDF. Pasternack's broad catalog of RF, microwave and millimeter wave connectors allows designers to configure and customize their signal connections however they like. Whether the need is to provide an I/O for a board design, or simply create a custom cable assembly configuration, Pasternack has the right connector for the job. Pasternack can also expertly build your custom cable assemblies for you and ship same-day.

Electrical Specifications

Description	Minimum	Typical	Maximum	Units
Frequency Range	DC		4	GHz
VSWR			1.46:1	
Operating Voltage (AC)			250	Vrms
Dielectric Withstanding Voltage (AC)			750	Vrms
High Potential Voltage at 5 MHz			400	Vrms
Corona Discharge at 70,000 feet			125	Vrms

Click the following link (or enter part number in "SEARCH" on website) to obtain additional part information including price, inventory and certifications: [SMB Jack Connector Clamp/Solder Attachment for RG178, RG196 PE4269](#)



SMB Jack Connector Clamp/Solder Attachment for RG178, RG196

RF Connectors Technical Data Sheet

PE4269

Performance by Frequency

Description	F1	F2	F3	F4	F5	Units
Frequency Range	DC to 1.5					GHz
Insertion Loss, Max	0.3					dB

Electrical Specification Notes:
RF leakage: 55 dB min at 2 to 3 GHz.

Mechanical Specifications

Size

Length	0.65 in [16.51 mm]
Width/Dia.	0.22 in [5.59 mm]
Weight	0.005 lbs [2.27 g]
Mating Cycles	500 Cycles

Material Specifications

Description	Material	Plating
Contact	Brass	Gold MIL-PRF-39012
Insulation	PTFE	
Body	Brass	Nickel MIL-PRF-39012

Environmental Specifications

Temperature

Operating Range	-65 to +165 deg C
Shock	MIL-STD-202, Method 213, Condition B
Vibration	MIL-STD-202, Method 204, Condition B
Thermal Shock	MIL-STD-202, Method 107, Condition B
Salt Spray	MIL-STD-202, Method 101, Condition B, 5% salt solution

Click the following link (or enter part number in "SEARCH" on website) to obtain additional part information including price, inventory and certifications: [SMB Jack Connector Clamp/Solder Attachment for RG178, RG196 PE4269](#)



SMB Jack Connector Clamp/Solder
Attachment for RG178, RG196

RF Connectors Technical Data Sheet

PE4269

Compliance Certifications (see [product page](#) for current document)

Plotted and Other Data

Notes:

SMB Jack Connector Clamp/Solder Attachment for RG178, RG196 from Pasternack Enterprises has same day shipment for domestic and International orders. Our RF, microwave and millimeter wave products maintain a 99% availability and are part of the broadest selection in the industry.

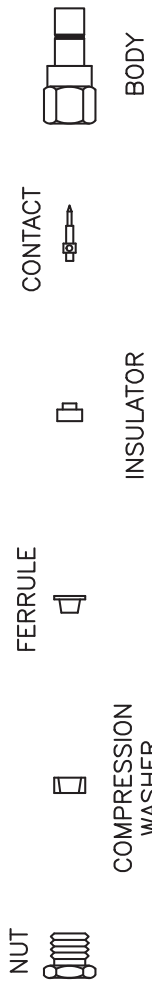
Click the following link (or enter part number in "SEARCH" on website) to obtain additional part information including price, inventory and certifications: [SMB Jack Connector Clamp/Solder Attachment for RG178, RG196 PE4269](#)

URL: <https://www.pasternack.com/smb-jack-standard-rg178-rg196-connector-pe4269-p.aspx>

The information contained in this document is accurate to the best of our knowledge and representative of the part described herein. It may be necessary to make modifications to the part and/or the documentation of the part, in order to implement improvements. Pasternack reserves the right to make such changes as required. Unless otherwise stated, all specifications are nominal. Pasternack does not make any representation or warranty regarding the suitability of the part described herein for any particular purpose, and Pasternack does not assume any liability arising out of the use of any part or documentation.

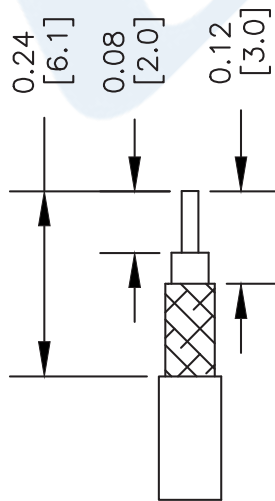
PE4269 CAD Drawing

SMB Jack Connector Clamp/Solder Attachment for RG178, RG196

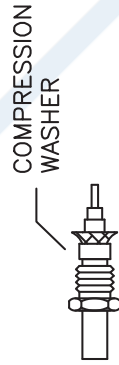


ASSEMBLY PROCEDURES

1. TRIM CABLE AS SHOWN. TIN CENTER CONDUCTOR. SLIDE NUT ONTO CABLE.



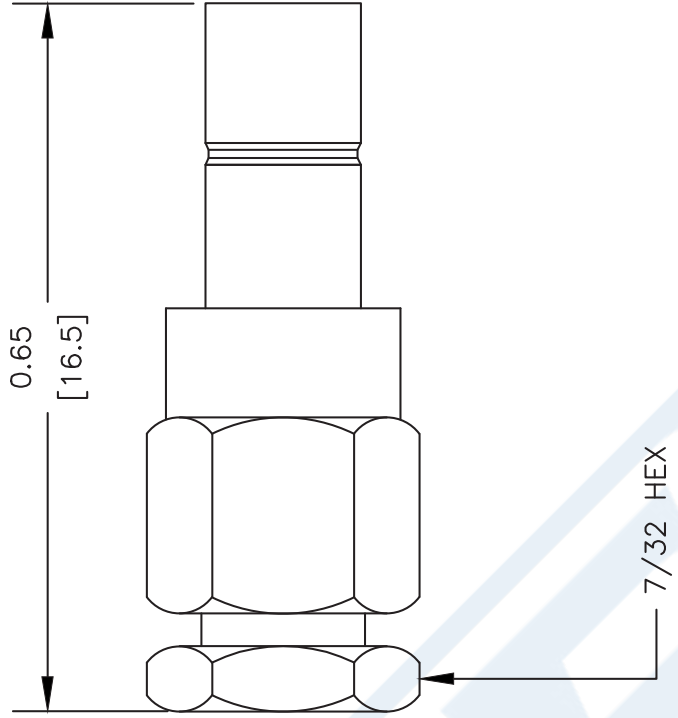
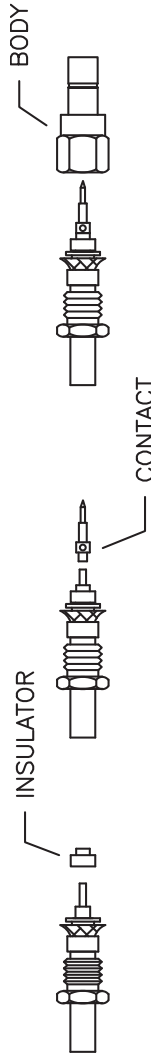
2. SLIDE COMPRESSION WASHER OVER THE BRAID UNTIL IT BOTTOMS OUT ON THE CABLE JACKET. FAN OUT BRAID RADIALLY AGAINST THE COMPRESSION WASHER BY ROTATING THE CABLE DIELECTRIC.



3. SLIDE FERRULE ONTO CABLE, OVER DIELECTRIC AND UNDER BRAID. PUSH INTO WASHER UNTIL IT STOPS. IF NECESSARY TRIM EXCESS BRAID FLUSH WITH SURFACE OF COMPRESSION WASHER AND FLANGE OF FERRULE.



4. INSTALL SMALL INSULATOR OVER CABLE DIELECTRIC. SOLDER CONTACT TO CENTER CONDUCTOR. INSERT CABLE ASSEMBLY INTO BODY AND TIGHTEN.



DWG TITLE

PE4269

NOTES:
 1. UNLESS OTHERWISE SPECIFIED ALL DIMENSIONS ARE NOMINAL.
 2. ALL SPECIFICATIONS ARE SUBJECT TO CHANGE WITHOUT NOTICE AT ANY TIME.
 3. DIMENSIONS ARE IN INCHES [mm].
 4. FITS MIL-C-17 AND EQUIVALENT CABLES.



Pasternack Enterprises, Inc.
 P.O. Box 16759 | Irvine | CA | 92623

Phone: (949) 261-1920 | Fax: (949) 261-7451

Website: www.pasternack.com | E-Mail: sales@pasternack.com

REV. A

FSCM NO. 53919

CAD FILE 090808

SCALE N/A

SIZE A

2233