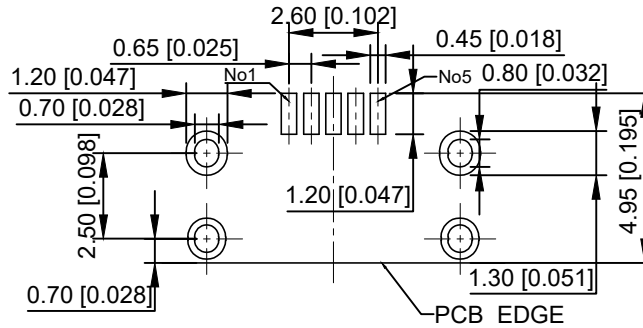
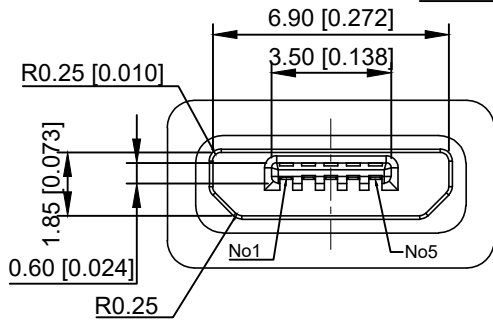


### XKB CONNECITITY

**NOTES:**

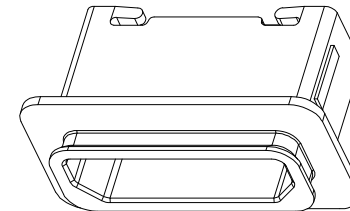
- 1.MATERIAL:  
HOUSING: THERMOPLASTIC HIGH-TEMP UL94V-O BLACK COLOR  
CONTACT: COPPER ALLOY  
SHELL: STAINLESS STEEL
- 2.FINISH:  
2.1. TERMINAL CONTACT(SEE TAB)The minimum nickel plating base of the terminal is 50u", the contactpart is plated with Gold-plated 30u", and the solder foot area is plated with Tin plating 75u"-150u".  
2.2. OUT SHELL:50u"Min. NICKEL ALL OVER
- 3.APPLIED TO IR SOLDERING PROCESS
- 4.SPECIFICATION:  
4.1.ELECTRICAL CHARACTERISTICS  
CONTACT CURRENT RATING:Signal PIN 1A,Power PIN 1.8A.  
VOLTAGE RATING:30V AC rms.  
CONTACT RESISTANCE:30mΩ MAX.  
DIELECTRIC WITHSTANDING VOLTANGE:  
UNMATEP CONTACT 100V AC rms. 60MHZ FOR 1 MINUTE  
INSULATION RESISTANCE:1000MΩ MIN.100V DC  
TEMPERATURE RANGE:-30°C TO+85°C
- 4.2.MECHANICAL:  
INSERTION FORCE:35N MAX.  
WITHDRAWAL FORCE:5N MIN25N MAX.



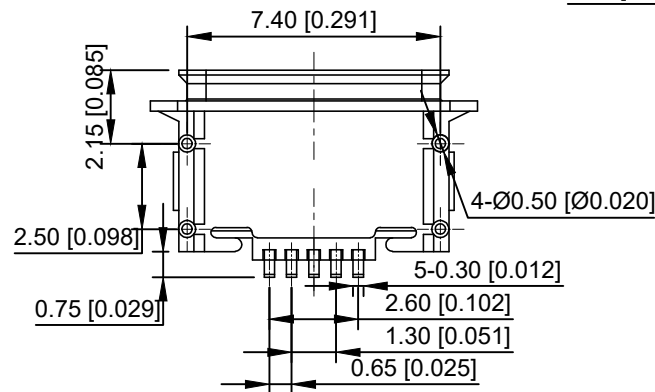
### XKB CONNECITITY

U-E-M8SS-Y-1

1:G/F 4:15u" 5:30u"



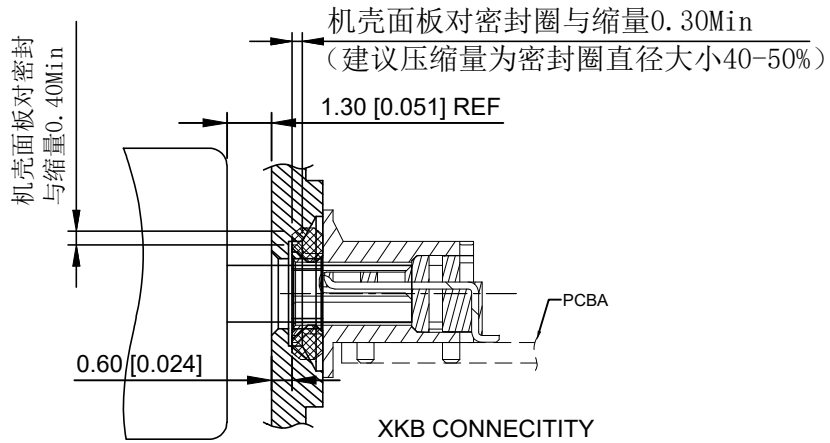
# IP-X8



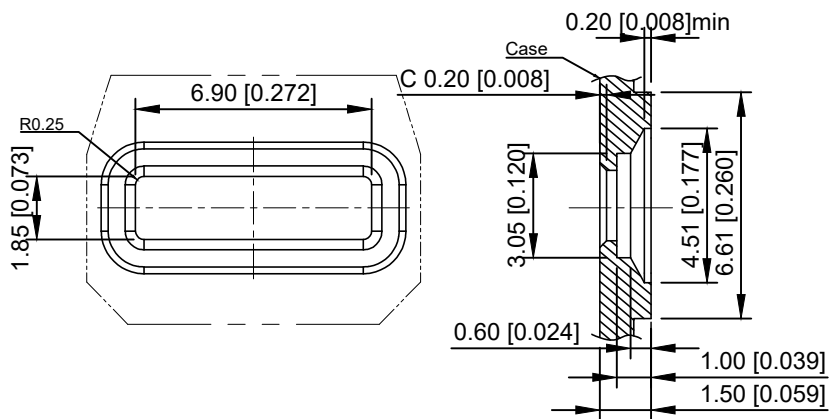
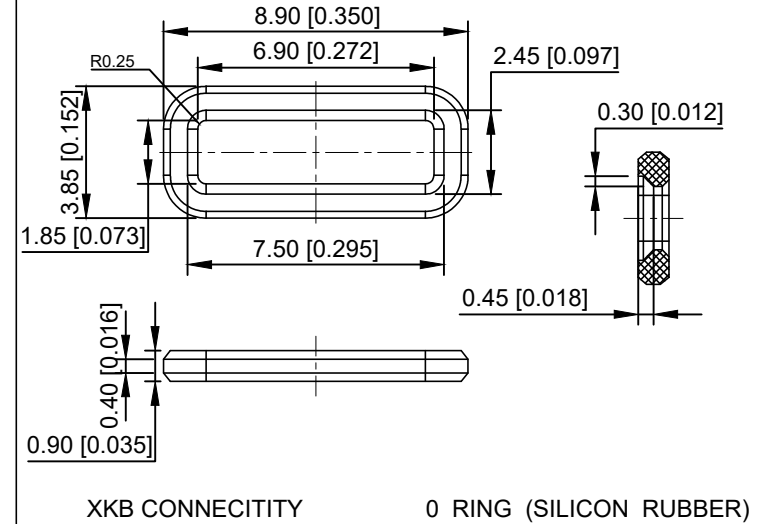
RECOMMENDED PCB LAYOUT  
TOLERANCE:±0.03mm  
RECOMMEND PCB THICKNESS:0.60mm

### XKB CONNECITITY

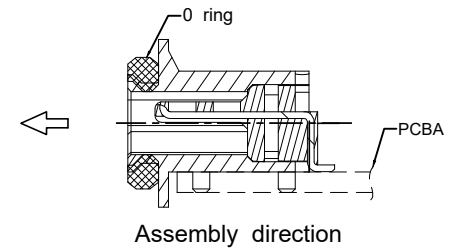
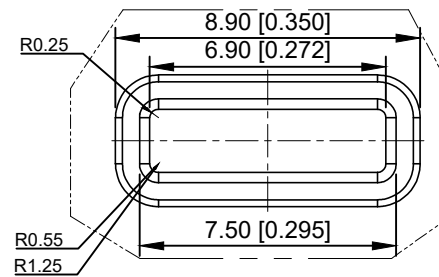
					ANGLAR	±5°	DSND	DATE	SCALE: N/A	MODEL TYPE: MICRO USB		
					L ≤ 4	±0.2	DWN	DATE	VIEW:	PART NO.: U-E-M8SS-Y-1		
					4 < L ≤ 16	±0.3	CHKD	DATE	UNIT: mm/in	DWG NO.: U-E-M8SS-Y-1		
					16 < L ≤ 63	±0.4	APPD	DATE	SIZE: A4			
					L > 63	±0.5						
					UNSPECIFIED TOLERANCES		XKB INDUSTRIAL PRECISION CO.,LIMITED			WEIGHT	SHEET	REVISION
										1.0g	1/1	A0
MARK	DESCRIPTION	DATE	REVISED	APPROVED								
REVISIONS												
www.xk-dg.cn www.helloxkb.com www.helloxkb.cn												



COMPRESSION RATIO TO BE 40%-50%



RECOMMENDED OPEN DIMENSION OF CASE  
TOLERANCE: ±0.03mm  
MATTING AREA WITH SEALING RING



					ANGLAR	±5°	DSND	DATE	SCALE: N/A	MODEL TYPE: MICRO USB	
					L ≤ 4	±0.2	DWN	DATE	VIEW:	PART NO.: U-E-M8SS-Y-1	
					4 < L ≤ 16	±0.3	CHKD	DATE	UNIT: mm/in	DWG NO.: U-E-M8SS-Y-1	
					16 < L ≤ 63	±0.4	APPD	DATE	SIZE: A4		
					L > 63	±0.5					
					UNSPECIFIED TOLERANCES		XKB INDUSTRIAL PRECISION CO., LIMITED			WEIGHT 1.0g	
REVISIONS											SHEET 1/1
www.xk-dg.cn www.helloxkb.com www.helloxkb.cn											REVISION A0