

## Precision 5.0V SOT-23 FGA™ Voltage Reference

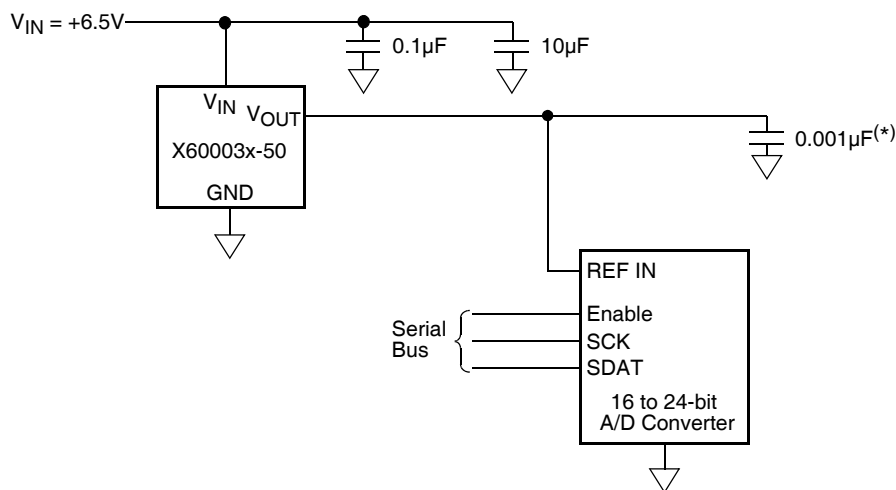
### FEATURES

- **Output Voltage:** 5.000V
- **Absolute Initial Accuracy Options:**  $\pm 1.0\text{mV}$ ,  $\pm 2.5\text{mV}$ , &  $\pm 5.0\text{mV}$
- **Ultra Low Power Supply Current:** 500nA
- **Low Temperature Coefficient Options:** 10 & 20ppm/°C
- **10mA Source & Sink Current Capability**
- **10ppm/1000hrs Long Term Stability**
- **Very Low Dropout Voltage:** 100mV @ No Load
- **Supply Voltage Range:** 5.1V to 9.0V
- **5kV ESD (Human Body Model)**
- **Standard Package:** 3 Ld SOT-23
- **Temp Range:** -40°C to +85°C
- **Pb-Free Plus Anneal Available (RoHS Compliant)**

### APPLICATIONS

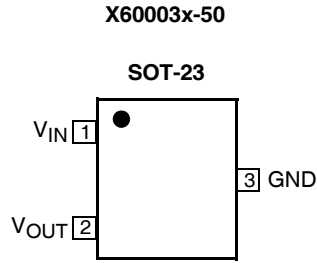
- |                               |                              |                       |
|-------------------------------|------------------------------|-----------------------|
| • High Resolution A/Ds & D/As | • Precision Current Sources  | • Smart sensors       |
| • Digital Meters              | • Precision Regulators       | • Strain Gage Bridges |
| • Calibration Systems         | • Precision Oscillators      | • Threshold Detectors |
| • V-F Converters              | • Battery Management Systems | • Servo Systems       |

### TYPICAL APPLICATION



(\*)Also see Figure 3 in Applications Information

PACKAGE DIAGRAM



PIN CONFIGURATIONS

Pin Name	Description
GND	Ground Connection
V <sub>IN</sub>	Power Supply Input Connection
V <sub>OUT</sub>	Voltage Reference Output Connection

Ordering Information

PART NUMBER	PART MARKING	V <sub>OUT</sub> (V)	GRADE	TEMP. RANGE (°C)	PACKAGE (Tape and Reel)
X60003BIG3-50T1	AHA	5.00	±1.0mV, 10ppm/°C	-40 to +85	3 Ld SOT-23
X60003BIG3Z-50T1	APG		±1.0mV, 10ppm/°C	-40 to +85	3 Ld SOT-23 (Pb-free)
X60003CIG3-50T1	AHB		±2.5mV, 20ppm/°C	-40 to +85	3 Ld SOT-23
X60003CIG3Z-50T1	API		±2.5mV, 20ppm/°C	-40 to +85	3 Ld SOT-23 (Pb-free)
X60003DIG3-50T1	AHC		±5.0mV, 20ppm/°C	-40 to +85	3 Ld SOT-23
X60003DIG3Z-50T1	APK		±5.0mV, 20ppm/°C	-40 to +85	3 Ld SOT-23 (Pb-free)

NOTE: Intersil Pb-free plus anneal products employ special Pb-free material sets; molding compounds/die attach materials and 100% matte tin plate termination finish, which are RoHS compliant and compatible with both SnPb and Pb-free soldering operations. Intersil Pb-free products are MSL classified at Pb-free peak reflow temperatures that meet or exceed the Pb-free requirements of IPC/JEDEC J STD-020.

## X60003B-50, X60003C-50, X60003D-50

### ABSOLUTE MAXIMUM RATINGS

Storage Temperature Range..... -65°C to + 125°C  
 Voltage on any Pin  
 Referenced to Gnd.....-0.5V to + 10V  
 Lead Temperature (soldering, 10s) ..... + 225°C

### RECOMMENDED OPERATING CONDITIONS

Temperature	Min.	Max.
Industrial	-40°C	+85°C

### COMMENT

Absolute Maximum Ratings indicate limits beyond which permanent damage to the device and impaired reliability may occur. These are stress ratings provided for information only and functional operation of the device at these or any other conditions beyond those indicated in the operational sections of this specification are not implied.

For guaranteed specifications and test conditions, see Electrical Characteristics.

The guaranteed specifications apply only for the test conditions listed. Some performance characteristics may degrade when the device is not operated under the listed test conditions.

### ELECTRICAL CHARACTERISTICS

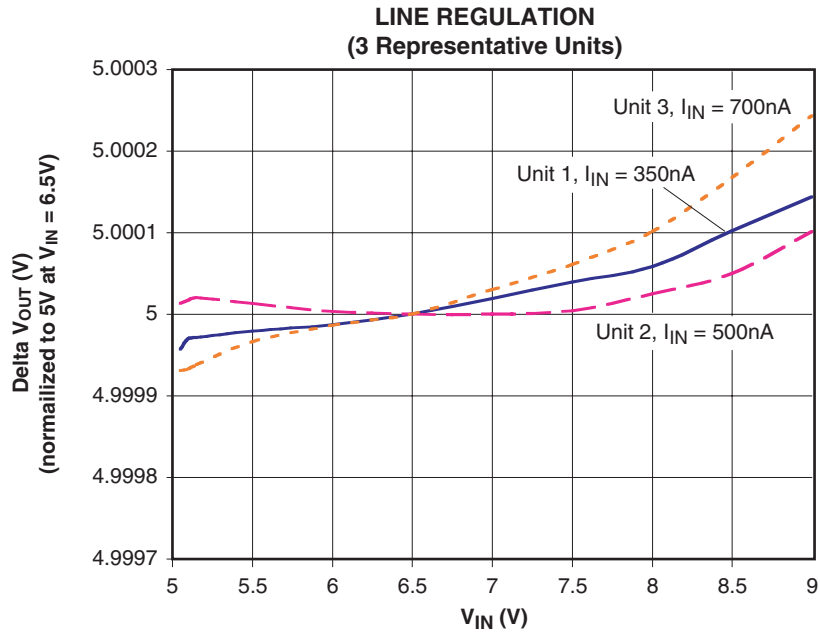
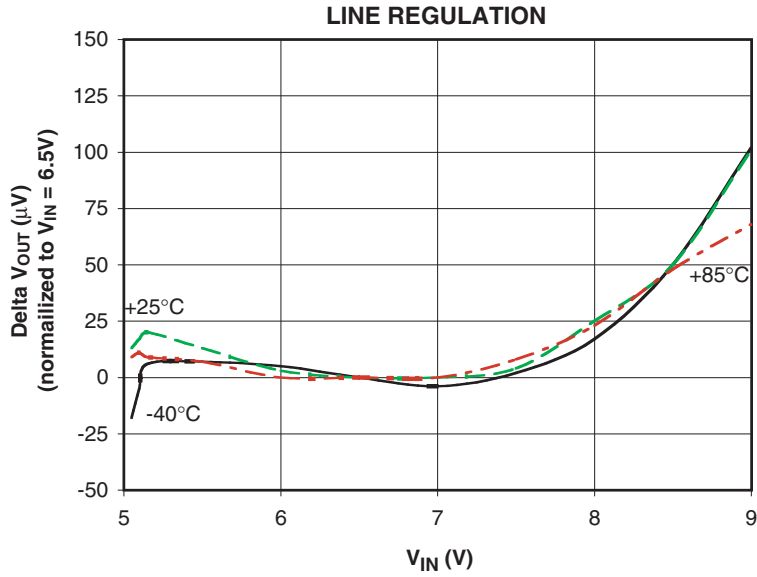
(Operating Conditions:  $V_{IN} = 6.5V$ ,  $I_{OUT} = 0mA$ ,  $C_{OUT} = 0.001\mu F$ ,  $T_A = -40$  to  $+85^\circ C$  unless otherwise specified.)

Symbol	Parameter	Conditions	Min	Typ	Max	Units
$V_{OUT}$	Output Voltage			5.000		V
$V_{OA}$	$V_{OUT}$ Accuracy X60003B-50 X60003C-50 X60003D-50	$T_A = 25^\circ C$	-1.0 -2.5 -5.0		+1.0 +2.5 +5.0	mV
$I_{IN}$	Supply Current			500	900	nA
$V_{IN}$	Input Voltage Range		5.1		9.0	V
TC $V_{OUT}$	Output Voltage Temperature Coefficient <sup>(1)</sup>	X60003B-50 X60003C-50 X60003D-50			10 20 20	ppm/ $^\circ C$
$\Delta V_{OUT}/\Delta V_{IN}$	Line Regulation	$+5.5V \leq V_{IN} \leq +8.0V$			150	$\mu V/V$
$\Delta V_{OUT}/\Delta I_{OUT}$	Load Regulation	$0mA \leq I_{SOURCE} \leq 10mA$ $-10mA \leq I_{SINK} \leq 0mA$		10 20	50 100	$\mu V/mA$
$\Delta V_{OUT}/\Delta t$	Long Term Stability	$T_A = 25^\circ C$		10		ppm/ 1000Hrs
$\Delta V_{OUT}/\Delta T_A$	Thermal Hysteresis <sup>(2)</sup>	$\Delta T = -40^\circ C$ to $+85^\circ C$		100		ppm
$V_{DO}$	Dropout Voltage <sup>(3)</sup>	$I_{OUT} = 5mA$ , $\Delta V_{OUT} = -0.01\%$		150	300	mV
$I_{SC}$	Short Circuit Current <sup>(4)</sup>	$T_A = 25^\circ C$		50	80	mA
$V_N$	Output Voltage Noise	0.1Hz to 10Hz		30		$\mu V_{pp}$

- Note:
- Over the specified temperature range. Temperature coefficient is measured by the box method whereby the change in  $V_{OUT}$  is divided by the temperature range; in this case,  $-40^\circ C$  to  $+85^\circ C = 125^\circ C$ .
  - Thermal Hysteresis is the change in  $V_{OUT}$  created by package stress @  $T_A = 25^\circ C$  after temperature cycling.  $V_{OUT}$  is read initially at  $T_A = 25^\circ C$ ; the X60003x-50 is then cycled between Hot ( $85^\circ C$ ) and Cold ( $-40^\circ C$ ) before a second  $V_{OUT}$  measurement is taken at  $25^\circ C$ . The deviation between the initial  $V_{OUT}$  reading and the second  $V_{OUT}$  reading is then expressed in ppm.
  - Dropout voltage ( $V_{DO}$ ) is the minimum voltage ( $V_{IN}$ ) into the X60003x-50 which will produce the output voltage ( $\Delta V_{OUT}$ ) drop specified in the Electrical Characteristics table.
  - Guaranteed by Device Characterization

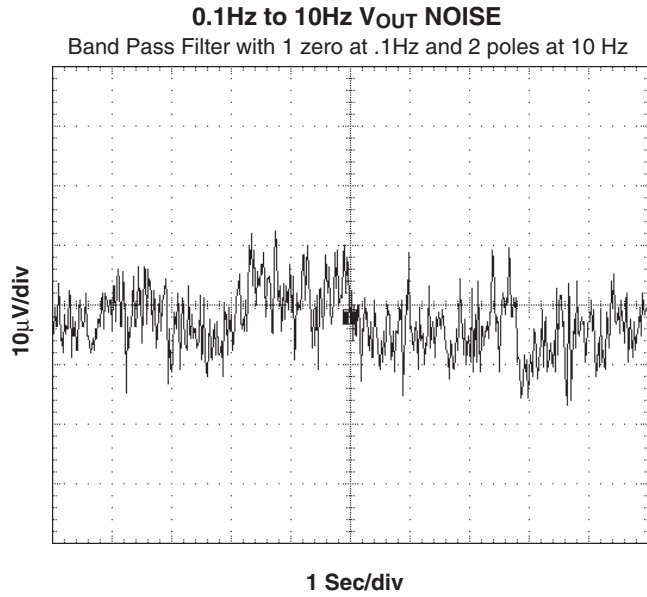
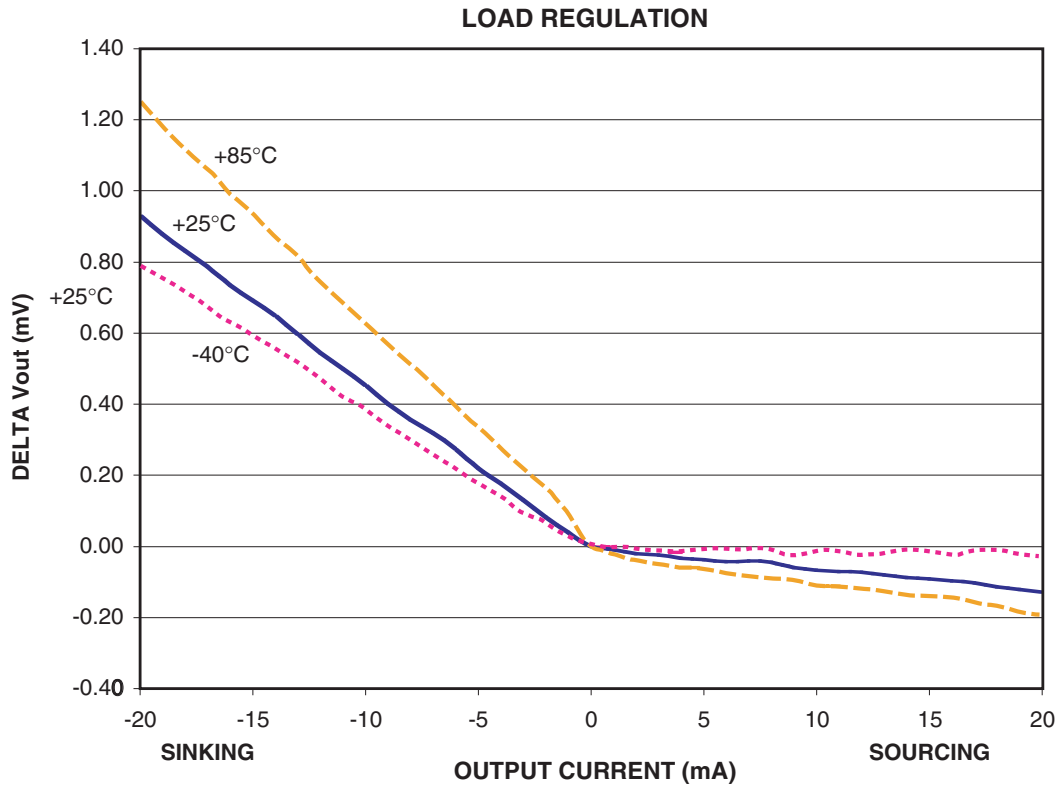
**TYPICAL PERFORMANCE CHARACTERISTIC CURVES**

( $V_{IN} = 6.5V$ ,  $I_{OUT} = 0mA$ ,  $T_A = 25^\circ C$  unless otherwise specified)



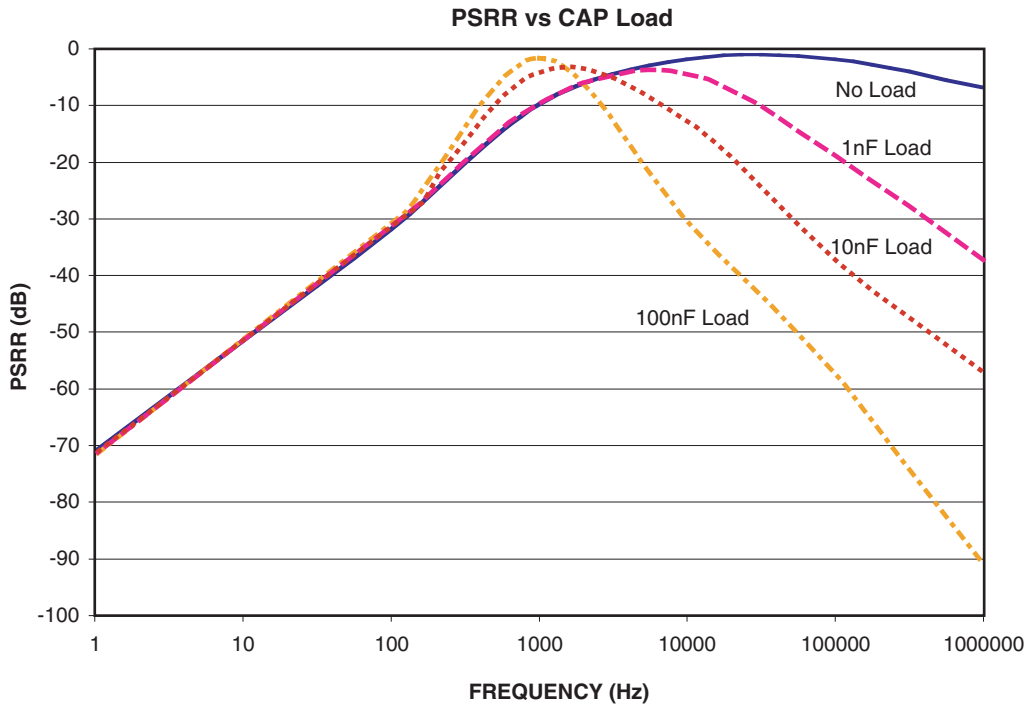
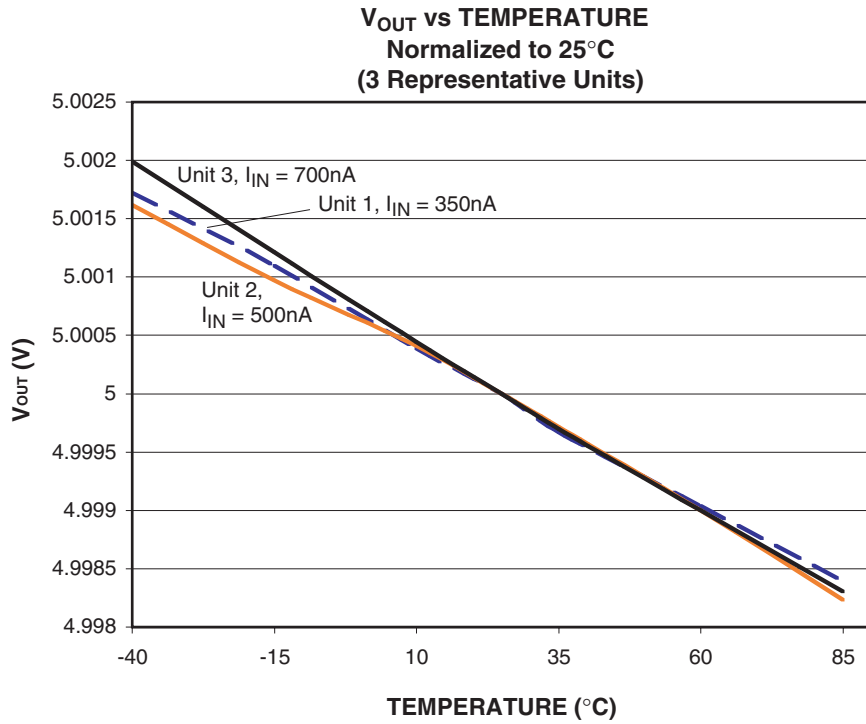
**TYPICAL PERFORMANCE CHARACTERISTIC CURVES**

( $V_{IN} = 6.5V$ ,  $I_{OUT} = 0mA$ ,  $T_A = 25^{\circ}C$  unless otherwise specified)



**TYPICAL PERFORMANCE CHARACTERISTIC CURVES**

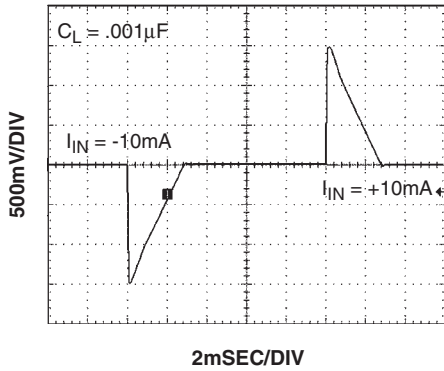
( $V_{IN} = 6.5V$ ,  $I_{OUT} = 0mA$ ,  $T_A = 25^\circ C$  unless otherwise specified)



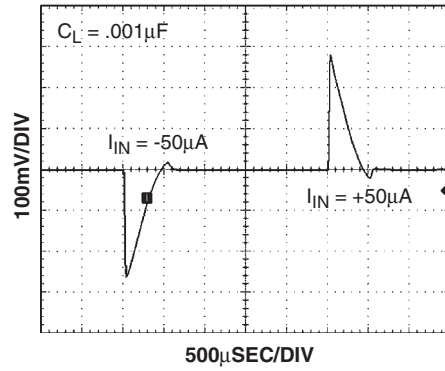
**TYPICAL PERFORMANCE CHARACTERISTIC CURVES**

( $V_{IN} = 6.5V$ ,  $I_{OUT} = 0mA$ ,  $T_A = 25^\circ C$  unless otherwise specified)

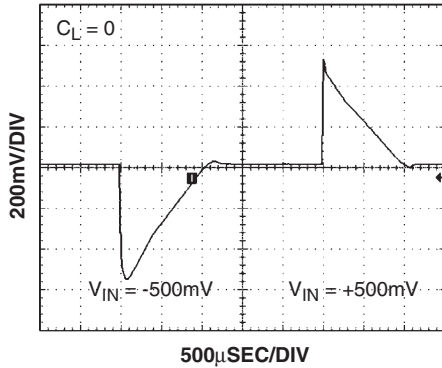
**10mA LOAD TRANSIENT RESPONSE**



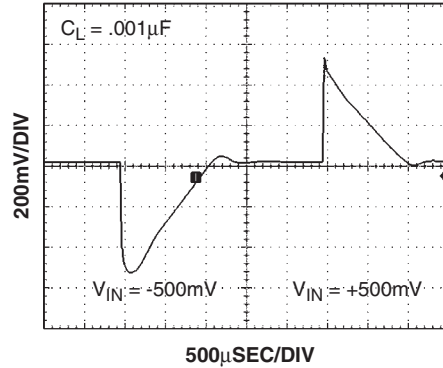
**50µA LOAD TRANSIENT RESPONSE**



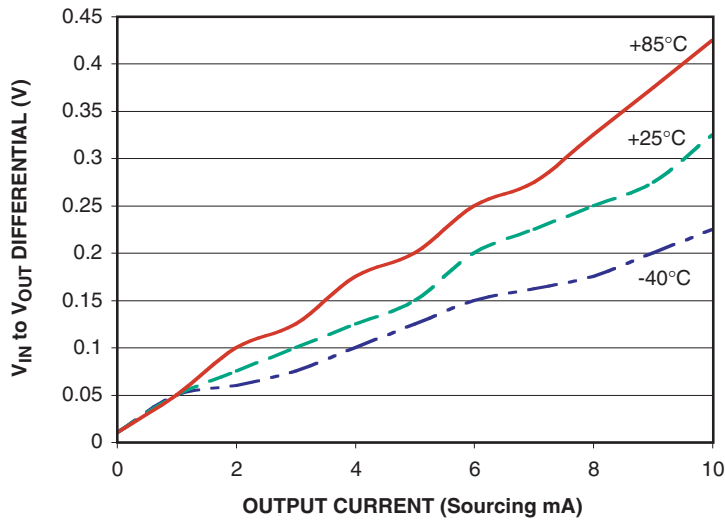
**LINE TRANSIENT RESPONSE**



**LINE TRANSIENT RESPONSE**

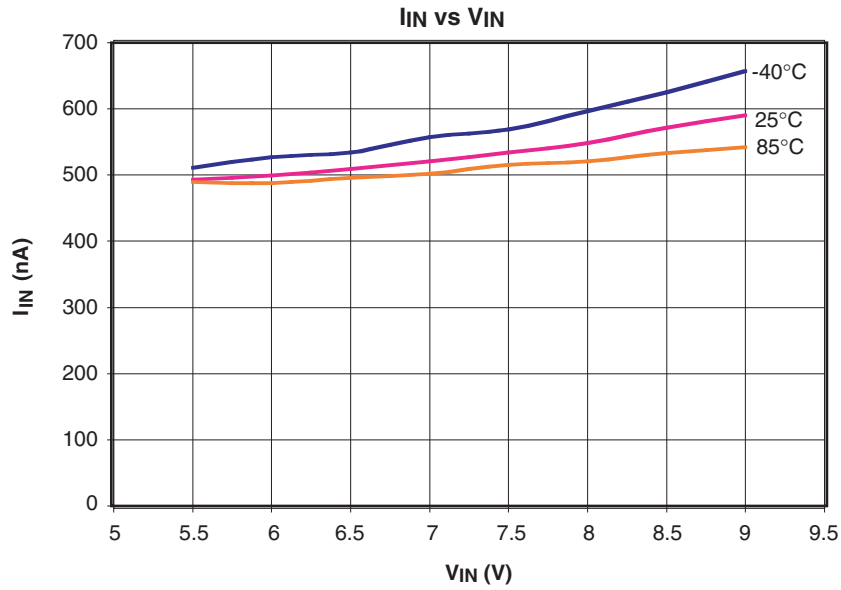
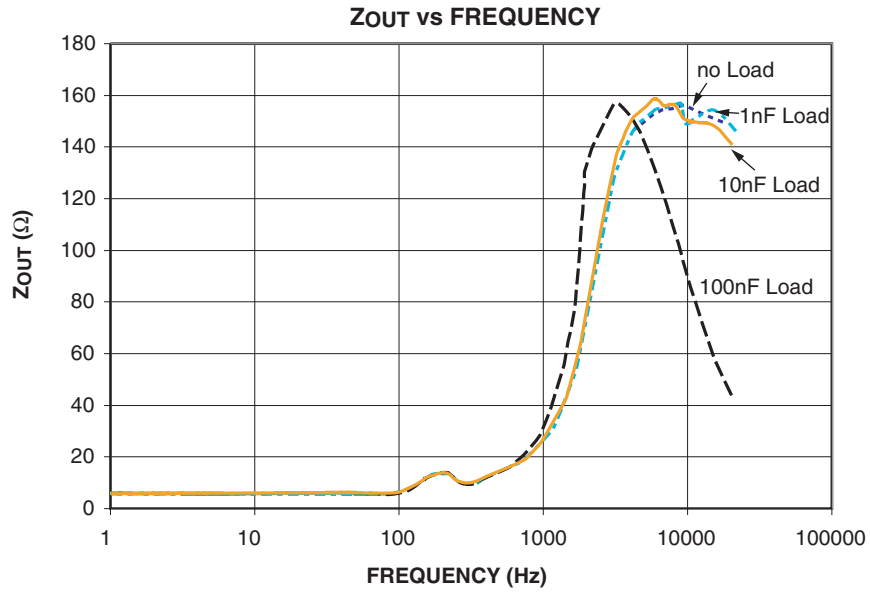


**MINIMUM  $V_{IN}$  to  $V_{OUT}$  DIFFERENTIAL vs. OUTPUT CURRENT**



**TYPICAL PERFORMANCE CHARACTERISTIC CURVES**

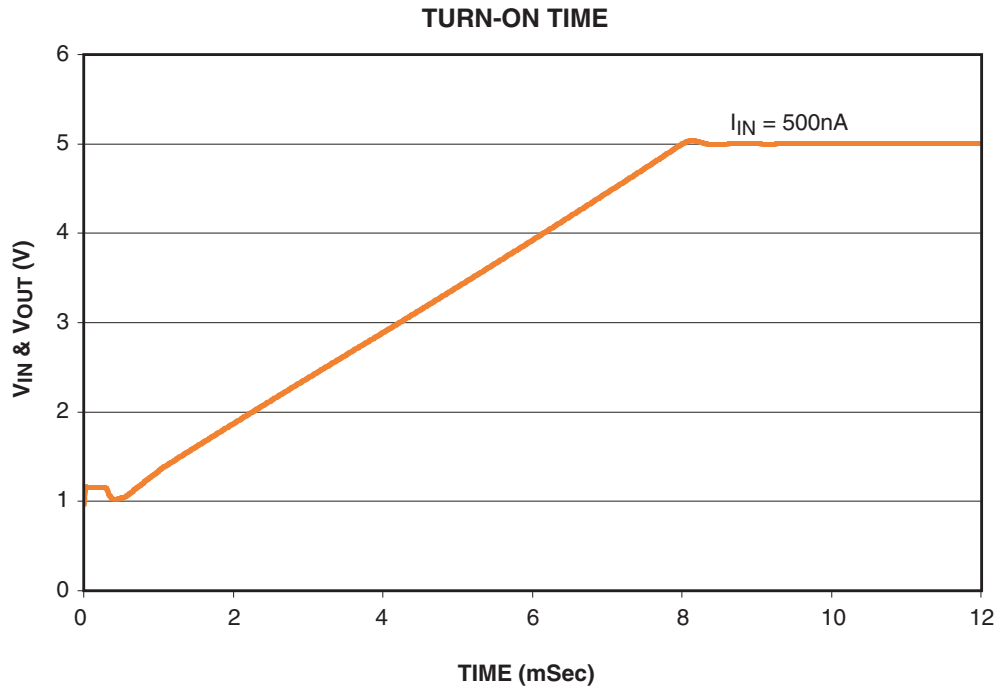
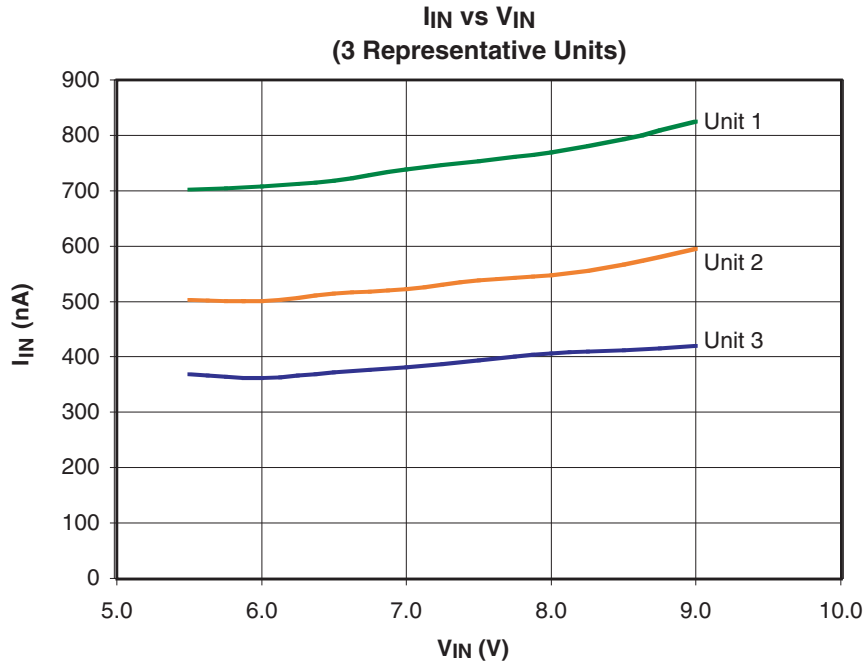
( $V_{IN} = 6.5V$ ,  $I_{OUT} = 0mA$ ,  $T_A = 25^\circ C$  unless otherwise specified)





**TYPICAL PERFORMANCE CHARACTERISTIC CURVES**

( $V_{IN} = 6.5V$ ,  $I_{OUT} = 0mA$ ,  $T_A = 25^\circ C$  unless otherwise specified)



**APPLICATIONS INFORMATION**

**FGA Technology**

The X60003x-50 voltage reference uses the floating gate technology to create references with very low drift and supply current. Essentially the charge stored on a floating gate cell is set precisely in manufacturing. The reference voltage output itself is a buffered version of the floating gate voltage. The resulting reference device has excellent characteristics which are unique in the industry: very low temperature drift, high initial accuracy, and almost zero supply current. Also, the reference voltage itself is not limited by voltage bandgaps or zener settings, so a wide range of reference voltages can be programmed (standard voltage settings are provided, but customer-specific voltages are available).

The process used for these reference devices is a floating gate CMOS process, and the amplifier circuitry uses CMOS transistors for amplifier and output transistor circuitry. While providing excellent accuracy, there are limitations in output noise level and load regulation due to the MOS device characteristics. These limitations are addressed with circuit techniques discussed in other sections.

**Nanopower Operation**

Reference devices achieve their highest accuracy when powered up continuously, and after initial stabilization has taken place.

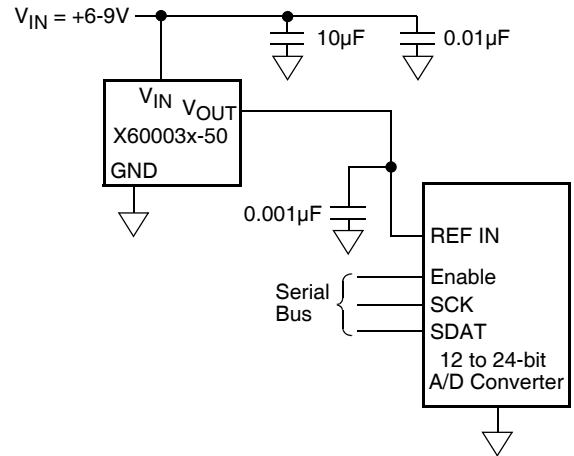
The X60003x-50 is the first high precision voltage reference with ultra low power consumption that makes it practical to leave power-on continuously in battery operated circuits. The X60003x-50 consumes extremely low supply current due to the proprietary FGA technology. Supply current at room temperature is typically 500nA which is 1 to 2 orders of magnitude lower than competitive devices. Application circuits using battery power will benefit greatly from having an accurate, stable reference which essentially presents no load to the battery.

In particular, battery powered data converter circuits that would normally require the entire circuit to be disabled when not in use can remain powered up between conversions as shown in figure 1. Data acquisition circuits providing 12 to 24 bits of accuracy can operate with the reference device continuously biased with no power penalty, providing the highest accuracy and lowest possible long term drift.

Other reference devices consuming higher supply currents will need to be disabled in between conversions to conserve battery capacity. Absolute accuracy will

suffer as the device is biased and requires time to settle to its final value, or, may not actually settle to a final value as power-on time may be short.

**Figure 1.**



**Board mounting Considerations**

For applications requiring the highest accuracy, board mounting location should be reviewed. Placing the device in areas subject to slight twisting can cause degradation of the accuracy of the reference voltage due to die stresses. It is normally best to place the device near the edge of a board, or the shortest side, as the axis of bending is most limited at that location. Obviously mounting the device on flexprint or extremely thin PC material will likewise cause loss of reference accuracy.

**Noise Performance and Reduction:**

The output noise voltage in a 0.1Hz to 10Hz bandwidth is typically 30µVp-p. This is shown in the plot in the Typical Performance Curves. The noise measurement is made with a bandpass filter made of a 1 pole high-pass filter with a corner frequency at .1Hz and a 2-pole low-pass filter with a corner frequency at 12.6Hz to create a filter with a 9.9Hz bandwidth. Noise in the 10KHz to 1MHz bandwidth is approximately 400µVp-p with no capacitance on the output, as shown in Fig. 2 below. These noise measurements are made with a 2 decade bandpass filter made of a 1 pole high-pass filter with a corner frequency at 1/10 of the center frequency and 1-pole low-pass filter with a corner frequency at 10 times the center frequency. Figure 2 also shows the noise in the 10KHz to 1MHz band can be reduced to about 50µVp-p using a .001µF capacitor on the output. Noise in the 1KHz to 100KHz band can be further reduced using a 0.1µF capacitor on the output, but noise in the 1Hz to 100Hz band increases due to instability of the very low power amplifier with a 0.1µF capacitance load. For

load capacitances above  $.001\mu\text{F}$  the noise reduction network shown in fig. 3 is recommended. This network reduces noise significantly over the full bandwidth. As shown in fig. 2, noise is reduced to less than  $40\mu\text{Vp-p}$  from 1Hz to 1MHz using this network with a  $.01\mu\text{F}$  capacitor and a  $2\text{k}\Omega$  resistor in series with a  $10\mu\text{F}$  capacitor.

Figure 2.

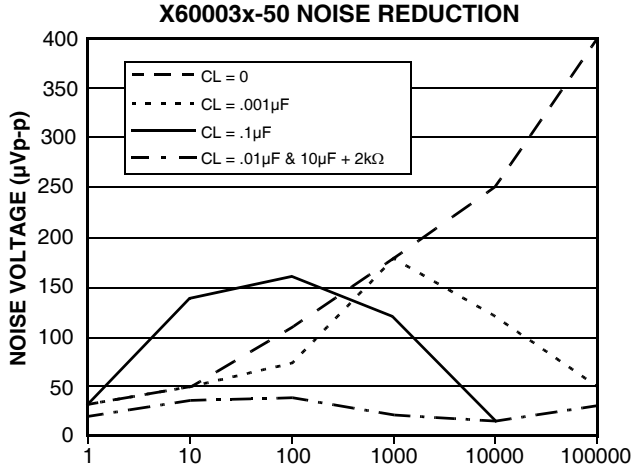
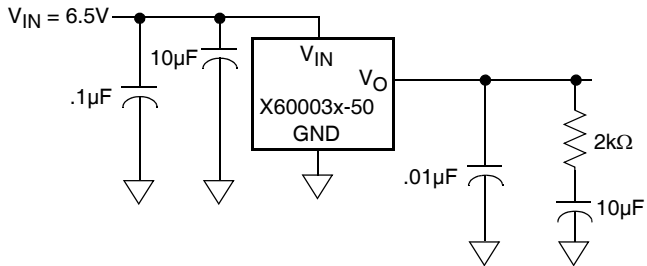


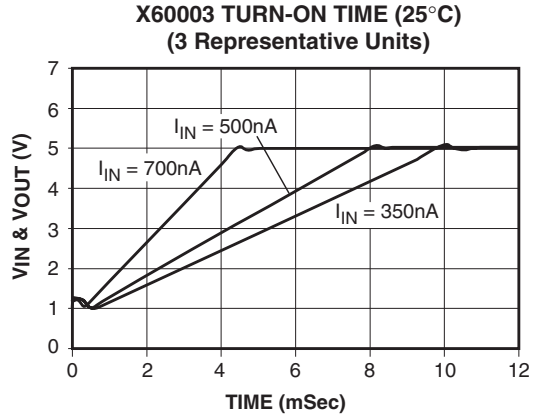
Figure 3.



**Turn-On Time**

The X60003x-50 device has ultra-low supply current and thus the time to bias up internal circuitry to final values will be longer than with higher power references. Normal turn-on time is typically 7ms. This is shown in the graph, Figure 4. Since devices can vary in supply current down to 300nA, turn-on time can last up to about 12ms. Care should be taken in system design to include this delay before measurements or conversions are started.

Figure 4.

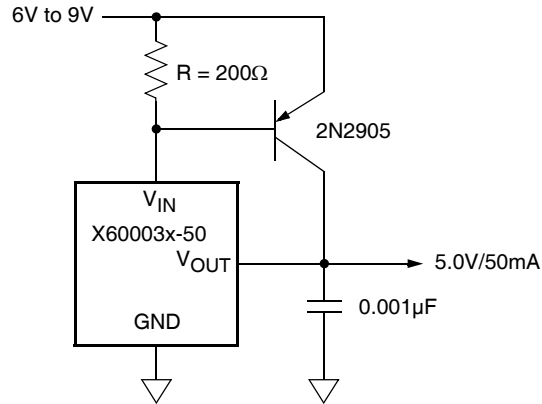


**Temperature Coefficient**

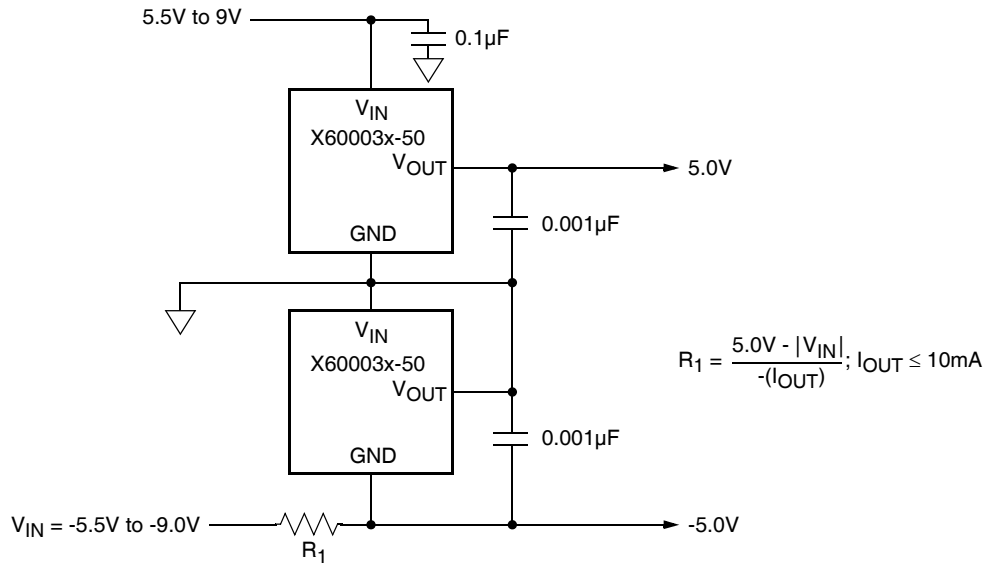
The limits stated for temperature coefficient (tempco) are governed by the method of measurement. The overwhelming standard for specifying the temperature drift of a reference is to measure the reference voltage at two temperatures, take the total variation, ( $V_{HIGH} - V_{LOW}$ ), and divide by the temperature extremes of measurement ( $T_{HIGH} - T_{LOW}$ ). The result is divided by the nominal reference voltage (at  $T = 25^{\circ}\text{C}$ ) and multiplied by  $10^6$  to yield ppm/ $^{\circ}\text{C}$ . This is the “Box” method for determining temperature coefficient.

TYPICAL APPLICATION CIRCUITS

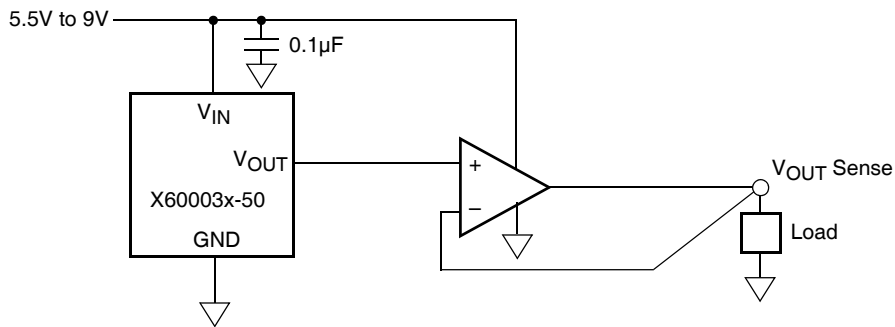
Precision 5V, 50mA Reference.



±5.0V Dual Output, High Accuracy Reference

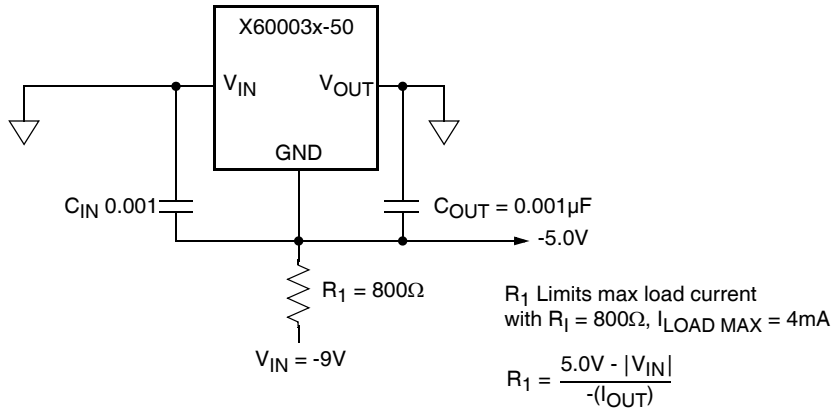


Kelvin Sensed Load

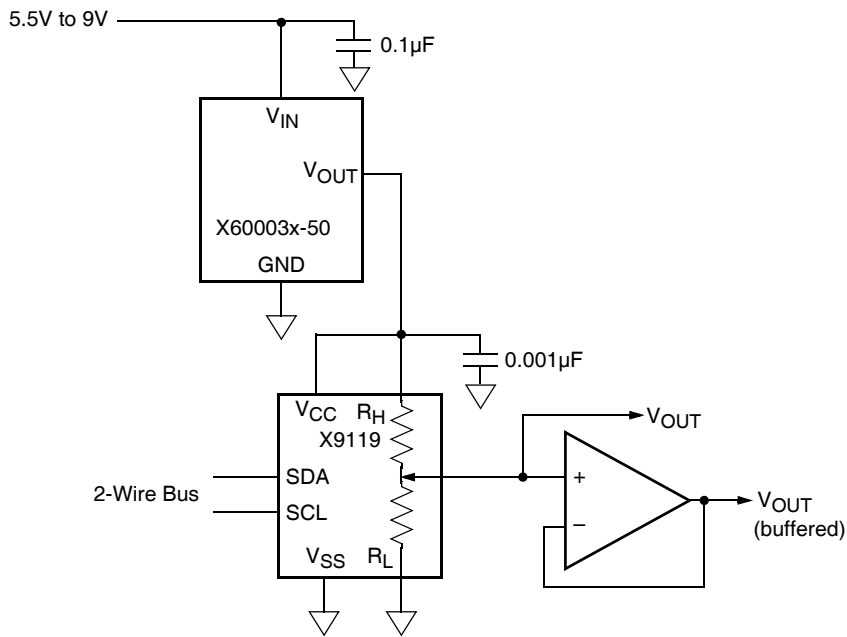


TYPICAL APPLICATION CIRCUITS

Negative Voltage Reference

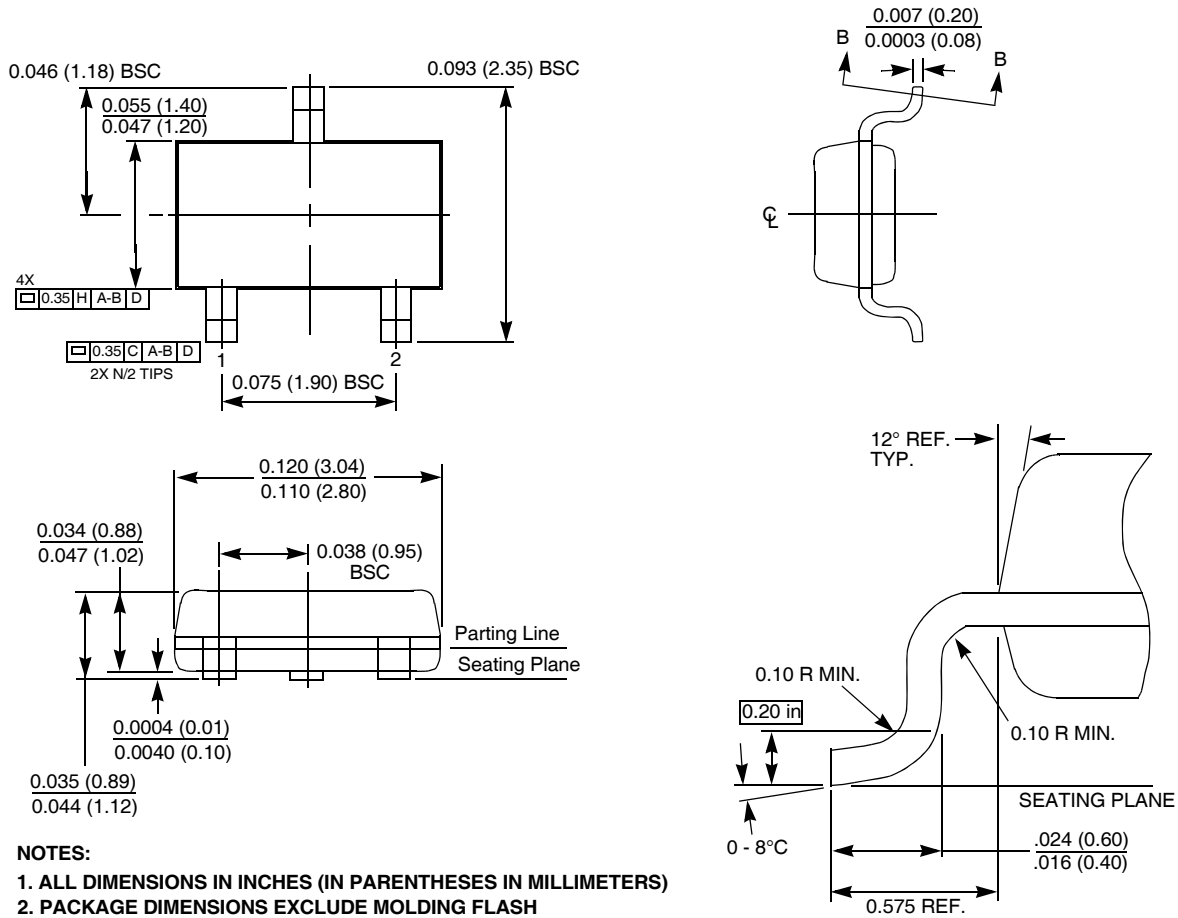


5V Full Scale Low-Drift 10-bit Adjustable Voltage Source



PACKAGING INFORMATION

3-Lead Plastic, SOT-23, Package Code G3



- NOTES:**
1. ALL DIMENSIONS IN INCHES (IN PARENTHESES IN MILLIMETERS)
  2. PACKAGE DIMENSIONS EXCLUDE MOLDING FLASH
  3. DIE AND DIE PADDLE IS FACING DOWN TOWARDS SEATING PLANE
  4. THIS PART IS COMPLIANT WITH JEDEC SPECIFICATION TO-236AB
  5. DIMENSIONING AND TOLERANCES PER ASME, Y14.5M-1994

All Intersil U.S. products are manufactured, assembled and tested utilizing ISO9000 quality systems. Intersil Corporation's quality certifications can be viewed at [www.intersil.com/design/quality](http://www.intersil.com/design/quality)

*Intersil products are sold by description only. Intersil Corporation reserves the right to make changes in circuit design, software and/or specifications at any time without notice. Accordingly, the reader is cautioned to verify that data sheets are current before placing orders. Information furnished by Intersil is believed to be accurate and reliable. However, no responsibility is assumed by Intersil or its subsidiaries for its use; nor for any infringements of patents or other rights of third parties which may result from its use. No license is granted by implication or otherwise under any patent or patent rights of Intersil or its subsidiaries.*

For information regarding Intersil Corporation and its products, see [www.intersil.com](http://www.intersil.com)