

PLEASE CHECK WWW.MOLEX.COM FOR LATEST PART INFORMATION

Part Number: [0513460600](#)
Status: **Active**
Description: 3.30mm (.130") Pitch Wire-to-Wire Plug Housing, Positive Lock, Dual Row, 6 Circuits

Documents:

[Drawing \(PDF\)](#) [RoHS Certificate of Compliance \(PDF\)](#)
[Product Specification PS-51347-001 \(PDF\)](#)

General

Product Family	Crimp Housings
Series	51346
Product Name	N/A

Physical

Circuits (maximum)	6
Color - Resin	Natural
Gender	Male
Glow-Wire Compliant	No
Lock to Mating Part	Yes
Material - Resin	Nylon
Number of Rows	2
Packaging Type	Bag
Panel Mount	No
Pitch - Mating Interface (in)	0.130 In
Pitch - Mating Interface (mm)	3.30 mm
Polarized to Mating Part	Yes
Stackable	No
Temperature Range - Operating	-25°C to +85°C

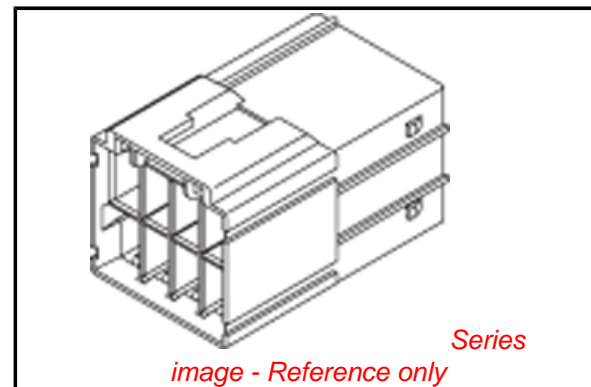
Electrical

Current - Maximum per Contact	4A
-------------------------------	----

Material Info

Reference - Drawing Numbers

Product Specification	PS-51347-001, RPS-51347-004, RPS-51347-005, RPS-51347-006, RPS-51347-007
Sales Drawing	SD-51346-001



EU RoHS

**ELV and RoHS
Compliant**
**REACH SVHC
Contains SVHC: No**
**Halogen-Free
Status
Not Reviewed**

China RoHS



**Need more information on product
environmental compliance?**

Email productcompliance@molex.com
For a multiple part number RoHS Certificate of Compliance, [click here](#)

Please visit the [Contact Us](#) section for any non-product compliance questions.

Search Parts in this Series

[51346Series](#)

Mates With

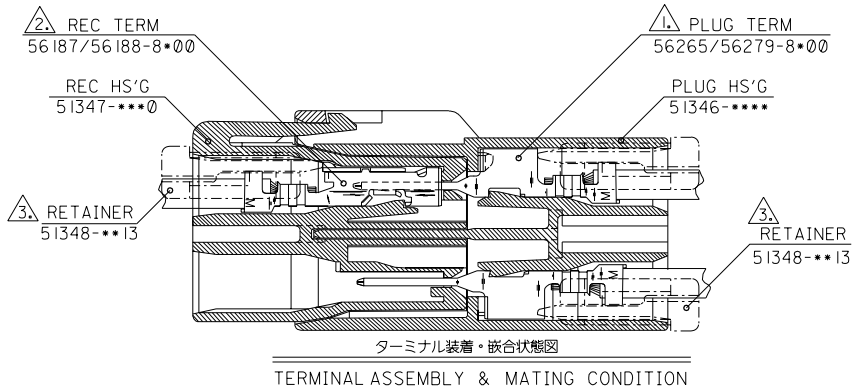
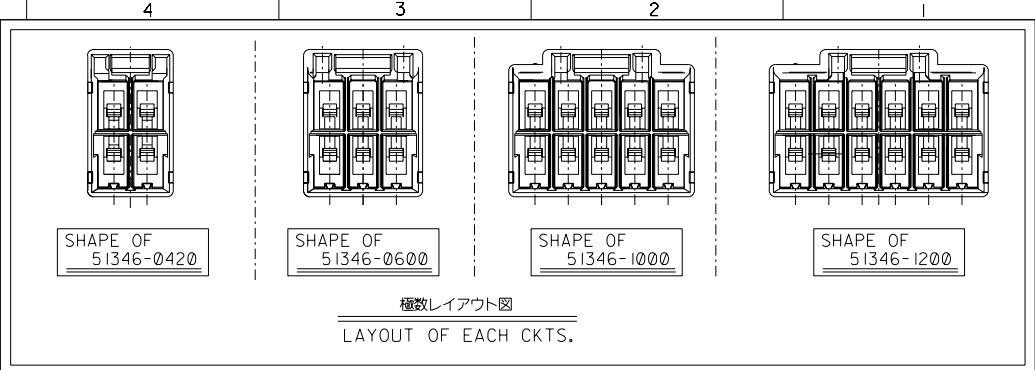
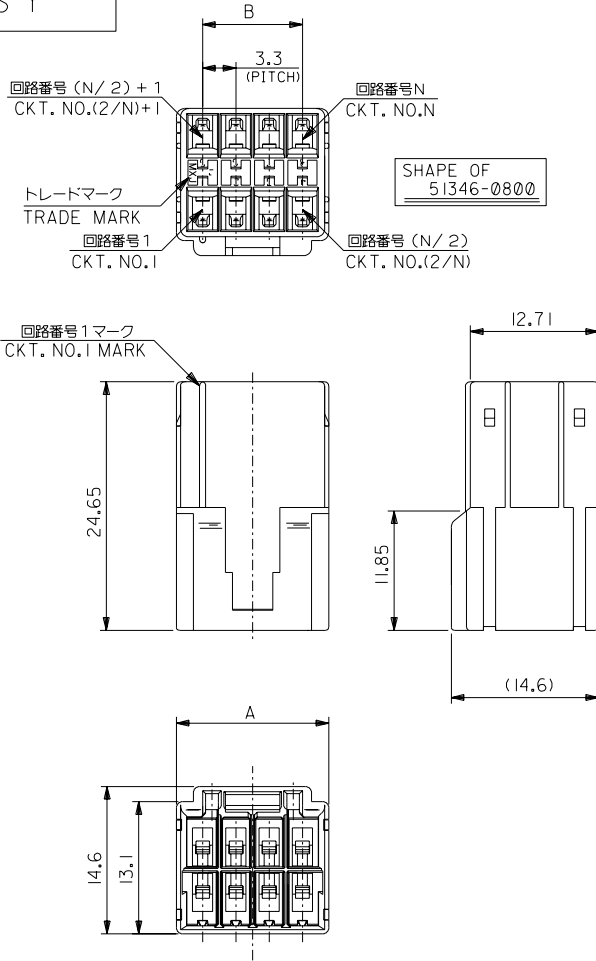
[51347-0600](#)

Use With

[51348](#) , [56265](#)

PLEASE CHECK WWW.MOLEX.COM FOR LATEST PART INFORMATION

本図は2列品を示す
DUAL ROW ASS'Y



- 注記
NOTES
- ① 適合ターミナル : 56265/56279シリーズ
APPLICABLE TERMINAL : 56265/56279 SERIES
 - ② 適合ターミナル : 56187/56188シリーズ
APPLICABLE TERMINAL : 56187/56188 SERIES
 - ③ 適合リテーナー : 51348-***1* シリーズ
APPLICABLE RETAINER : 51348-***1* SERIES
- 4, 材料 : NYLON66, UL94V-0
MATERIAL

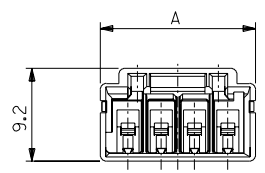
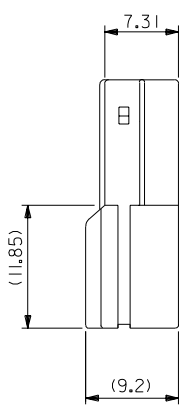
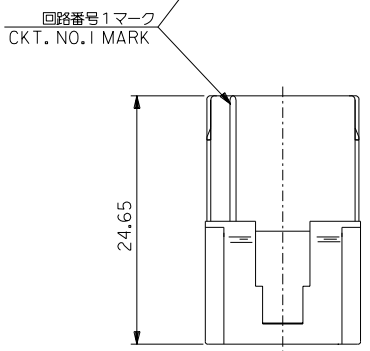
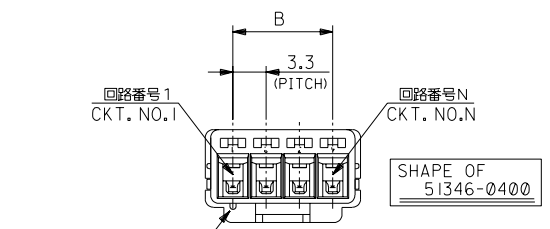
51347-1200	51348-0613	NATURAL	16.5	21.7	12	51346-1200	51346-****
-1000	-0513		13.2	18.4	10	-1000	
-0800	-0413		9.9	15.1	8	-0800	
-0600	-0313		6.6	11.8	6	-0600	
51347-0420	51348-0213	NATURAL	3.3	8.5	4	51346-0420	
MATE WITH	CONFORMABLE-RETAINER	COLOR	B	A	CKT.	MATERIAL NO.	MODEL NO.

DO NOT SCALE DRAWING

① 64 NO. DRWN: CH'K: APPR:	② 63 NO. DRWN: CH'K: APPR:	③ 62 NO. DRWN: CH'K: APPR:	④ 61 NO. DRWN: CH'K: APPR:	⑤ RELEASED ⑥ NO. J2004-1974 DRWN: T.ODA '04/01/19 CH'K: S.ICHIKAWA APPR: YO.IITO	MATERIAL 材料 //	GENERAL TOLERANCES: (UNLESS SPECIFIED) 一般公差 10 UNDER 未満 ±0.2 10 OVER 以上 30 UNDER 未満 ±0.25 30 OVER 以上 ±0.3 ANGLE 角度 ±3°	SCALE 1/1 DESIGN UNITS <input checked="" type="checkbox"/> mm <input type="checkbox"/> INCH DRAWN BY & DATE T.ODA '04/01/15 CHECKED BY & DATE S. Ichikawa. APPROVED BY & DATE Y.Ota	DIMENSIONS: <input type="checkbox"/> mm <input type="checkbox"/> INCH <input checked="" type="checkbox"/> mm ONLY SHT 1 OF 2 REV B TITLE: 3.3 mm WIRE TO WIRE CONN. PLUG HOUSING
⑦	⑧	⑨	⑩	⑪	WIRE RANGE 適用電線範囲 // INS. RANGE 被覆外径 //	CAD FILENAME SD-51347-001.S01 MATE WITH CONFORMABLE-RETAINER COLOR B A CKT. MATERIAL NO. MODEL NO.	MOLEX INCORPORATED MATERIAL NO. DRAWING NO. SD-51346-001 SEE CHART SHEET NO. 1 OF 2 THIS DRAWING CONTAINS INFORMATION THAT IS PROPRIETARY TO MOLEX INCORPORATED AND SHOULD NOT BE USED WITHOUT WRITTEN PERMISSION.	

DWG. NO. SD-51346-001

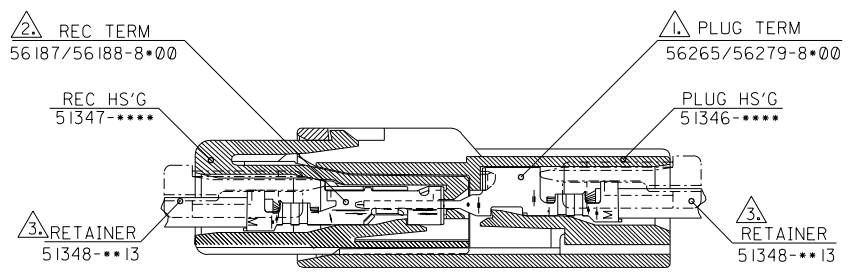
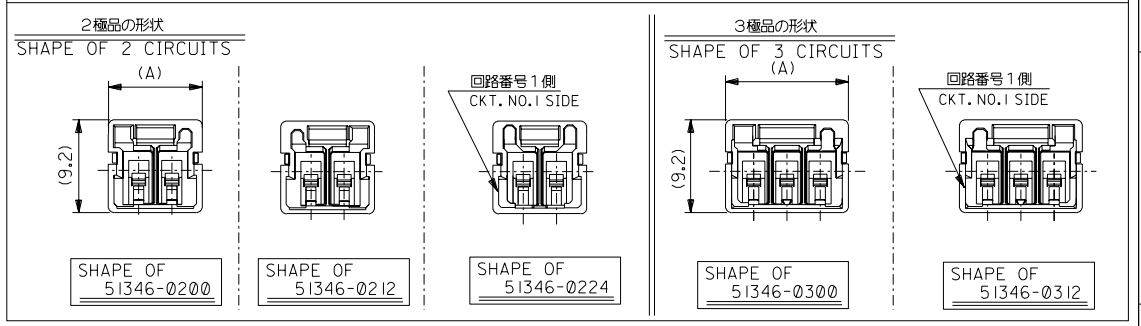
本図は1列品を示す
SINGLE ROW ASS'Y



注記
NOTES

- △ 適合ターミナル: 56265/56279シリーズ
APPLICABLE TERMINAL: 56265/56279 SERIES
 - △ 適合ターミナル: 56187/56188シリーズ
APPLICABLE TERMINAL: 56187/56188 SERIES
 - △ 適合リテーナー: 51348シリーズ
APPLICABLE RETAINER: 51348 SERIES
4. 材料 MATERIAL : NYLON66, UL94V-0

各種形状を下記に示す。
尚、嵌合間口にて誤嵌合バリエーションを持たせている為組み合わせには注意して下さい。



ターミナル装着・嵌合状態図
TERMINAL ASSEMBLY & MATING CONDITION

51347-0400	51348-0413	NATURAL	9.9	15.1	4	51346-0400	51346-****
-0312	-0313	RED	6.6	12.1	3	-0312	
-0300	-0313	NATURAL	6.6	12.1	3	-0300	
-0224	-0213	BLUE	3.3	9.3	2	-0224	
-0212	-0213	RED	3.3	9.3	2	-0212	
51347-0200	51348-0213	NATURAL	3.3	9.3		51346-0200	

DO NOT SCALE DRAWING

64NO. DRWN: CH'K: APPR: 63NO. DRWN: CH'K: APPR: 62NO. DRWN: CH'K: APPR: 61NO. DRWN: CH'K: APPR: 60NO. DRWN: CH'K: APPR:	0 SEE SHEET 1	MATERIAL 材料 FINISH 仕上げ WIRE RANGE 適用電線範囲 INS. RANGE 被覆外径	GENERAL TOLERANCES: (UNLESS SPECIFIED) 一般公差 10 UNDER 未満 ±0.2 10 OVER 30 UNDER 未満 ±0.25 30 OVER 以上 ±0.3 ANGLE 角度 ±3°	SCALE 1/1 DESIGN UNITS 一般公差 DRAWN BY & DATE: S. Ichikawa '04/01/15 CHECKED BY & DATE: S. Ichikawa APPROVED BY & DATE: Y. Ota CAD FILENAME: SD-51346-001.S02	DIMENSIONS: 寸法 <input type="checkbox"/> mm <input type="checkbox"/> INCH <input checked="" type="checkbox"/> mm ONLY DIMENSIONAL ANGLE PROJECTION: 寸法角度投影 <input type="checkbox"/> mm <input type="checkbox"/> INCH <input checked="" type="checkbox"/> mm ONLY TITLE: 3.3 mm WIRE TO WIRE CONN. PLUG HOUSING (SINGLE ROW) MOLEX INCORPORATED	MATE WITH: CONFORMABLE-RETAINER COLOR: B A CKT. MATERIAL NO.: 51346-0400 MODEL NO.: 51346-**** SHEET NO.: 2 REV: OTHERWISE ON CAD ONLY
---	------------------	---	---	--	--	---