

1 2 3 4 5 6

A

B

C

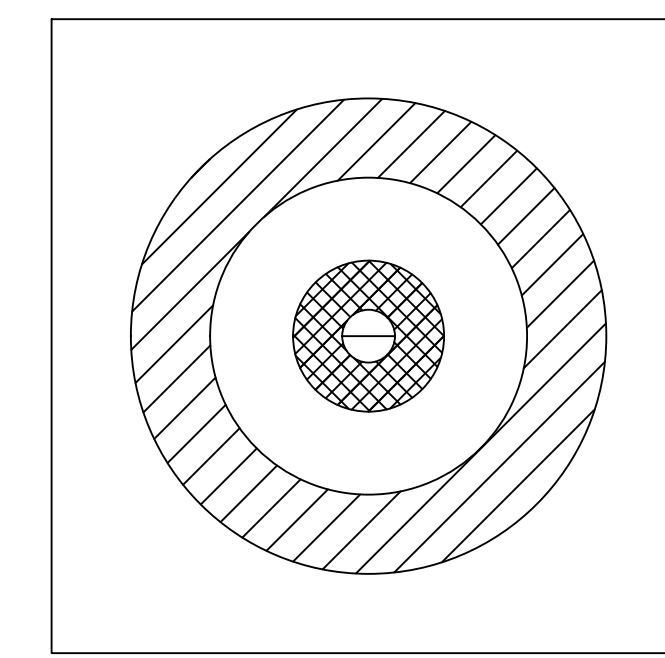
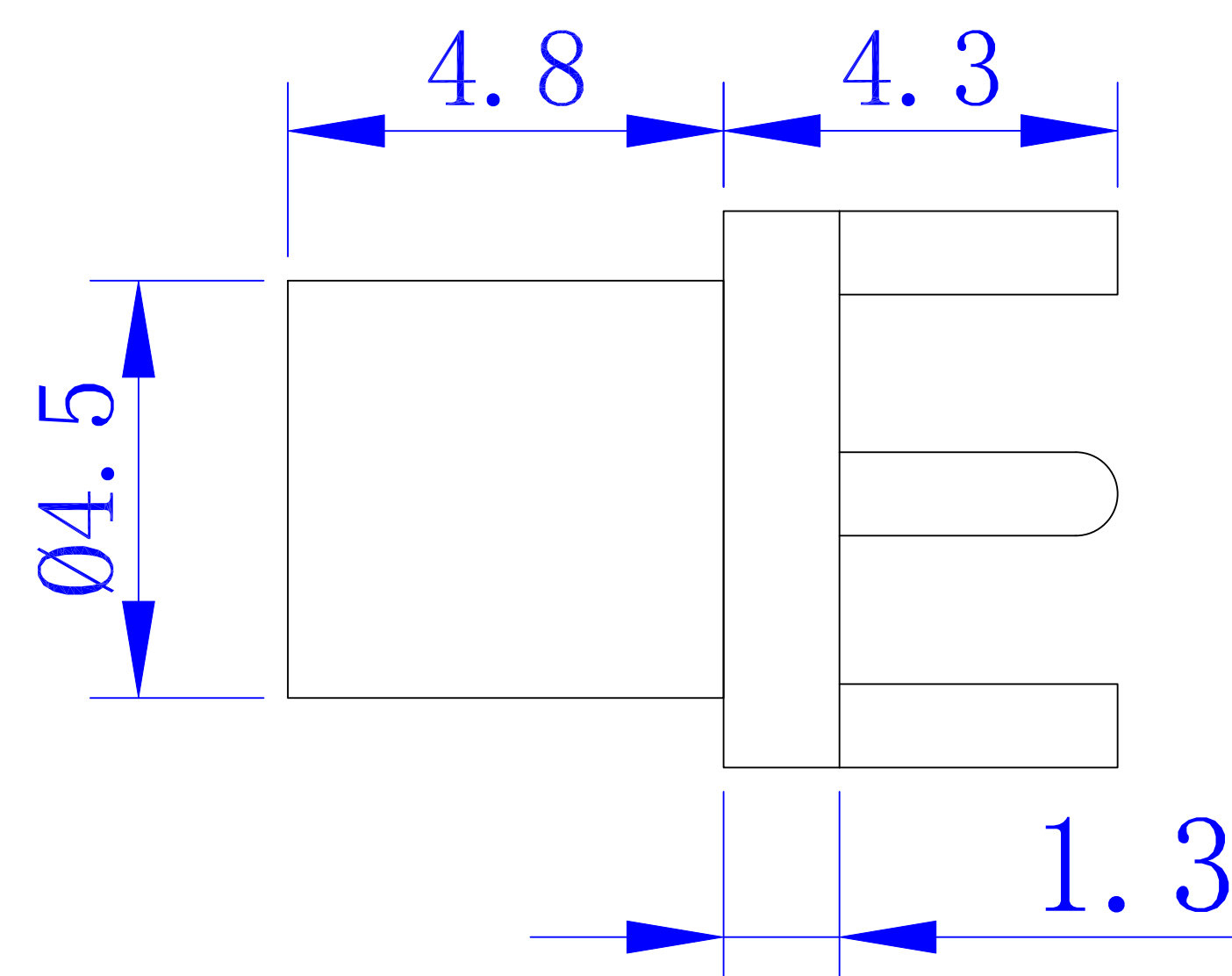
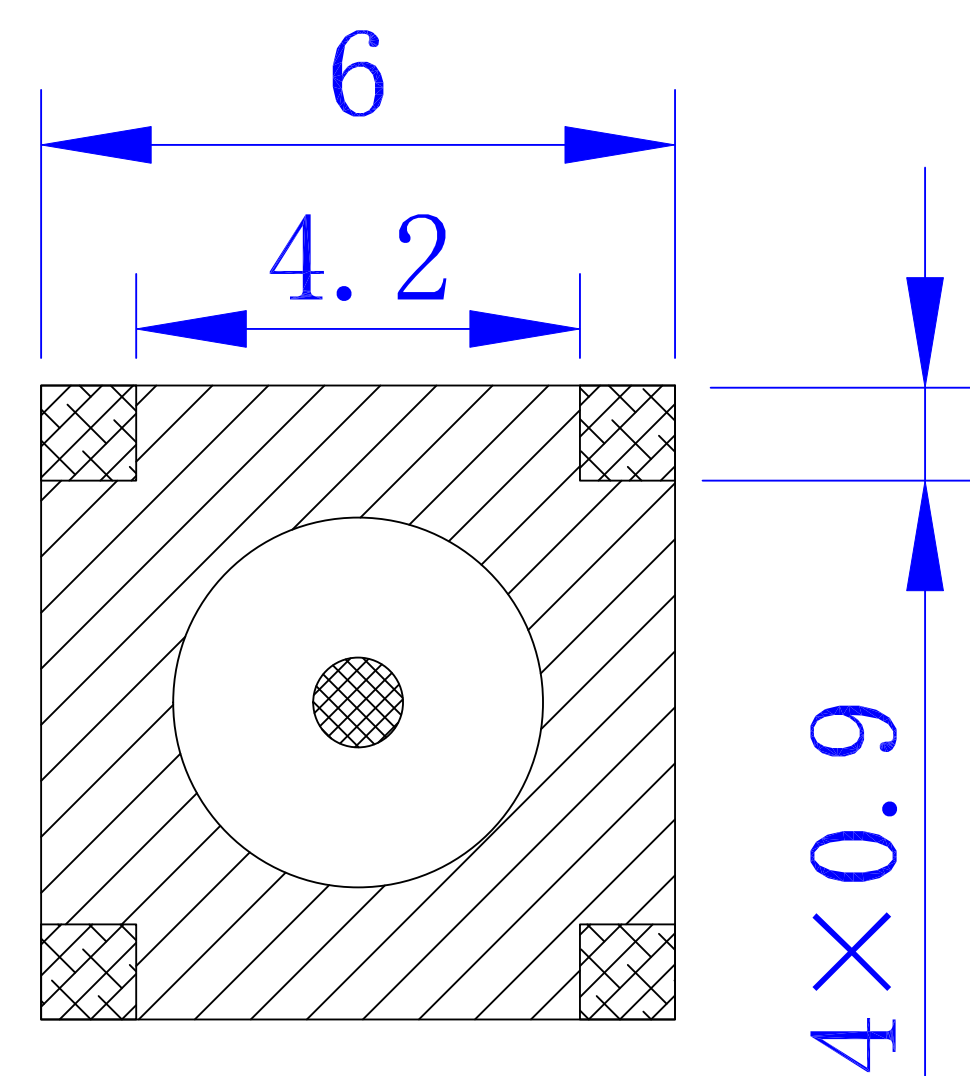
D

A

B


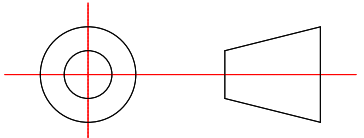
C

D



技术特性

- 温度范围: Temp.range -65~+165° C (PE Cable -40~+85° C)
- 振动: Vibration MIL-STD-202, Method 213
- 特性阻抗: Impedance 50Ω
- 频率范围: Frequency Range DC~0-6GHz
- 工作电压: Working Voltage 335V max (有效值)
- 耐压: Withstand Voltage 1000V rms (海平面最小值)
- 接触电阻: Contact resistance
- 内导体之间: Center Contact ≤ 3 mΩ
- 外导体之间: Outer Contact ≤ 2 mΩ
- 绝缘电阻: Insulation resistance ≥ 5000 MΩ
- 插入损耗: Insertion loss ≤ 0.15 dB/6GHz

GENERAL TOLERANCE (UNLESS SPECIFIED)	DWN		
	CHK		
≤10 ±0.1 <10~≤20 ±0.2 <20~≤50 ±0.5 Angle ±3°	APVD		TITLE 射频座
 THIRD ANGLE	UNIT MM	REV A	PART NO MCX-KE
	SIZE A4	SHEET 1 OF 1	DRAWING NO STA-10401