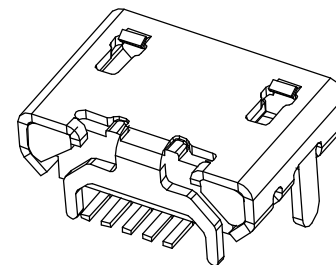
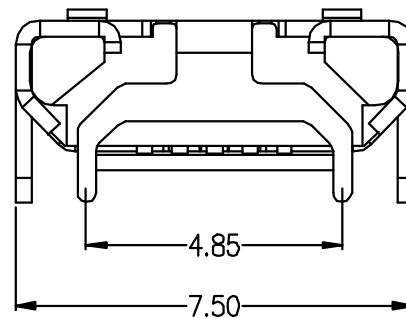
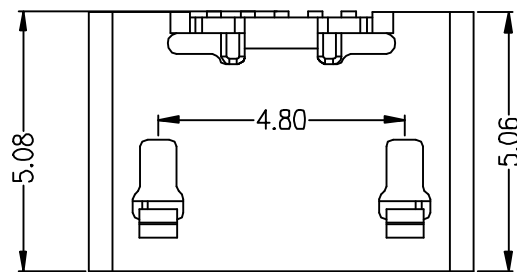




REV.	ECN NO OR DESCRIPTION	REVISED	DATE



Specifications:

1. Electrical:

- 1.1 Current Rating: 1.8A/contact terminal
- 1.2 Voltage Rating: 30V DC
- 1.3 Contact Resistance: 50 milliohms Max
- 1.4 Dielectric Withstanding Voltage: 300 V AC AT Sea Level
- 1.5 Insulation resistance: 100MEGA ohms MIN

2. Mechanical:

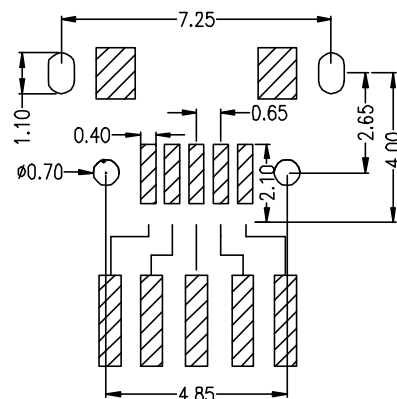
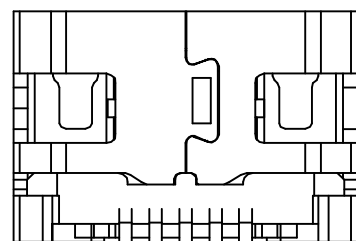
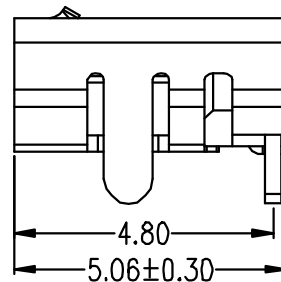
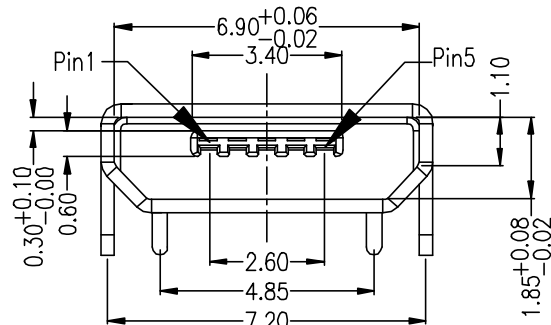
- 2.1 Connector Mate and Unmate Force
Mate force: 3.0kgf (Max)
Unmate force: 0.7kgf (MIN)
- 2.2 Durability: 2000 cycles

3. Material:

- 3.1 Housing: High Temperature Thermoplastics, UI 94V-0 LCP Black
- 3.2 Contact C5191-EH
- 3.3 Shell: H65 EH0.3MM

4. PLATING:

- 4.1 Contact: Plated Gold in Mating Area; Tin On Solder Tails
- 4.2 Shell: Nickel 50u"Min Plated.



UNLESS OTHERWISE SPECIFIED TOLERANCES		东莞市汉博电子科技有限公司 DONGGUAN HANBO TECHNOLOGY CO., LTD			
DECIMALS:	ANGLES:	TITLE	MICRO USB 小牛角 无卷边		
X : ±0.35	X : ±2°	DWN	xiong	PART NO. MC-601-AWT	
X.X : ±0.25	X.X : ±1°	CHKD	lee	SCALE: 1:1	UNIT: mm
X.XX : ±0.15		APVD	wang	SIZE: A4	SHEET: 1 OF 1
CUSTOMER COPY					