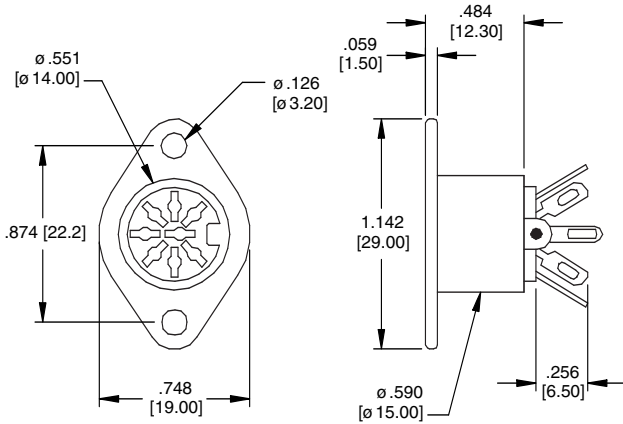


**DJP SERIES**  
PANEL MOUNT DIN JACK WITH  
SOLDER EYELETS



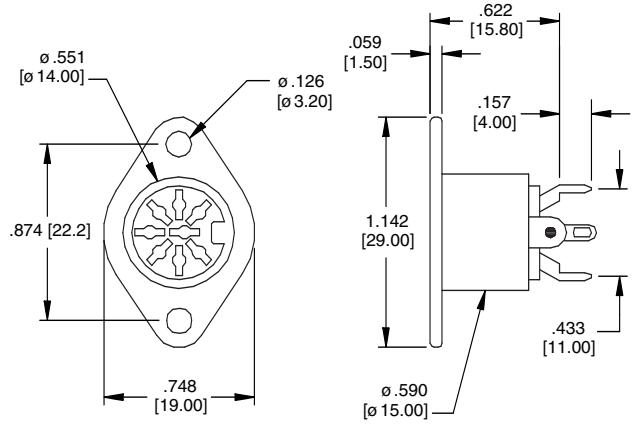
DJP-008-A



**DJP SERIES**  
PCB MOUNT DIN JACK



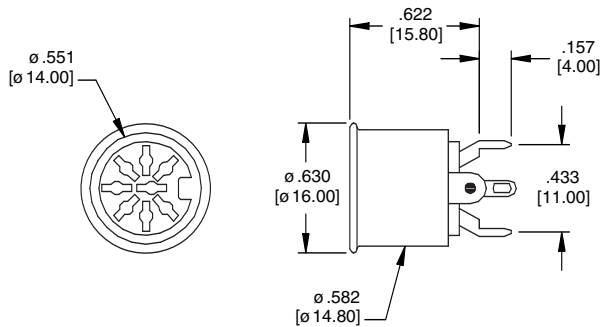
DJP-008-B



**DJN SERIES**  
PCB MOUNT DIN JACK



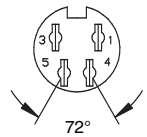
DJN-005-B



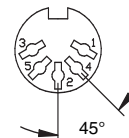
**3 Position**



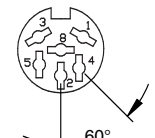
**4 Position**



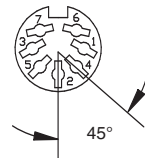
**5 Position**



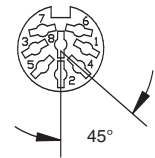
**6 Position**



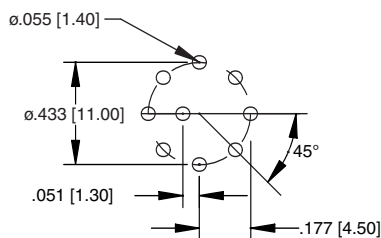
**7 Position**



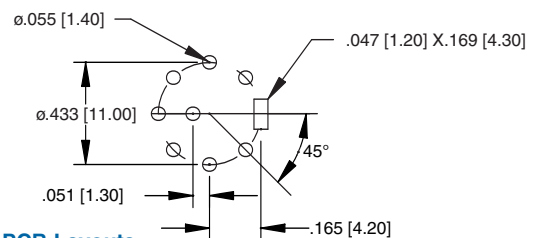
**8 Position**



**DJN Series (Type A)**



**DJP Series**



Recommended PCB Layouts