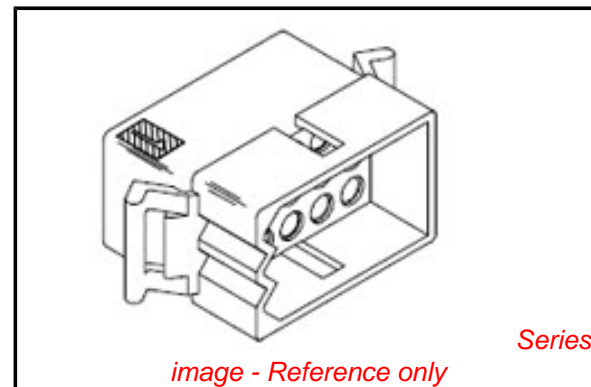


**PLEASE CHECK WWW.MOLEX.COM FOR LATEST PART INFORMATION**

**Part Number:** [0003092151](#)  
**Status:** **Active**  
**Overview:** [standard\\_093](#)  
**Description:** 2.36mm (.093") Diameter Standard .093 Pin and Socket Plug Housing, 15 Circuits, 3 Rows, without Panel Mount Ears, with Pull Tabs, without Passive Lock Windows

**Documents:**

|  |   |
|--|---|
| <a href="#">3D Model</a>                             | <a href="#">Product Specification PS-1375-001 (PDF)</a> |
| <a href="#">Packaging Specification (PDF)</a>        | <a href="#">Product Specification PS-1375-002 (PDF)</a> |
| <a href="#">Drawing (PDF)</a>                        | <a href="#">Product Specification PS-42477 (PDF)</a>    |
| <a href="#">Product Specification PS-02-09 (PDF)</a> | <a href="#">RoHS Certificate of Compliance (PDF)</a>    |



*image - Reference only*

**Agency Certification**

|     |         |
|-----|---------|
| CSA | LR19980 |
| UL  | E29179  |

**General**

|                |   |
|----------------|---|
| Product Family | Crimp Housings  |
| Series         | <a href="#">1375</a>  |
| Comments       | 12.5A max. can be achieved when housing is used with 42477 or 42478 terminals |
| Overview       | <a href="#">standard_093</a>  |
| Product Name   | Standard .093"  |

**Physical**

|                               |                 |
|-------------------------------|-----------------|
| Circuits (maximum)            | 15              |
| Color - Resin                 | Natural         |
| Flammability                  | 94V-2           |
| Gender                        | Dual            |
| Glow-Wire Compliant           | No              |
| Lock to Mating Part           | None            |
| Material - Resin              | Nylon           |
| Number of Rows                | 3               |
| Packaging Type                | Bag             |
| Panel Mount                   | No              |
| Pitch - Mating Interface (in) | 0.198 In        |
| Pitch - Mating Interface (mm) | 5.03 mm         |
| Stackable                     | No              |
| Temperature Range - Operating | -40°C to +105°C |

**Electrical**

|                               |      |
|-------------------------------|------|
| Current - Maximum per Contact | 9.5A |
|-------------------------------|------|

**Material Info**

|                 |        |
|-----------------|--------|
| Old Part Number | 1375-P |
|-----------------|--------|

**Reference - Drawing Numbers**

|                         |  |
|-------------------------|--|
| Packaging Specification | PK-1375-001                                  |
| Product Specification   | PS-02-09, PS-1375-001, PS-1375-002, PS-42477 |
| Sales Drawing           | SD-1375-*                                    |

**EU RoHS**

**ELV and RoHS Compliant**  
**REACH SVHC Contains SVHC: No**  
**Halogen-Free Status**  
**Not Reviewed**

**China RoHS**



**Need more information on product environmental compliance?**

Email [productcompliance@molex.com](mailto:productcompliance@molex.com)  
 For a multiple part number RoHS Certificate of Compliance, [click here](#)

Please visit the [Contact Us](#) section for any non-product compliance questions.

**Search Parts in this Series**

[1375Series](#)

**Mates With**

[03091151](#) , [03091152](#)

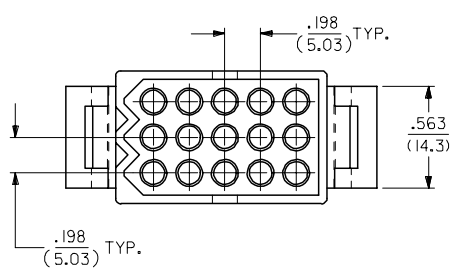
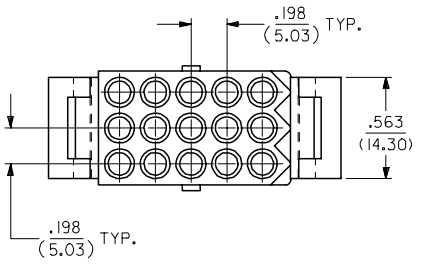
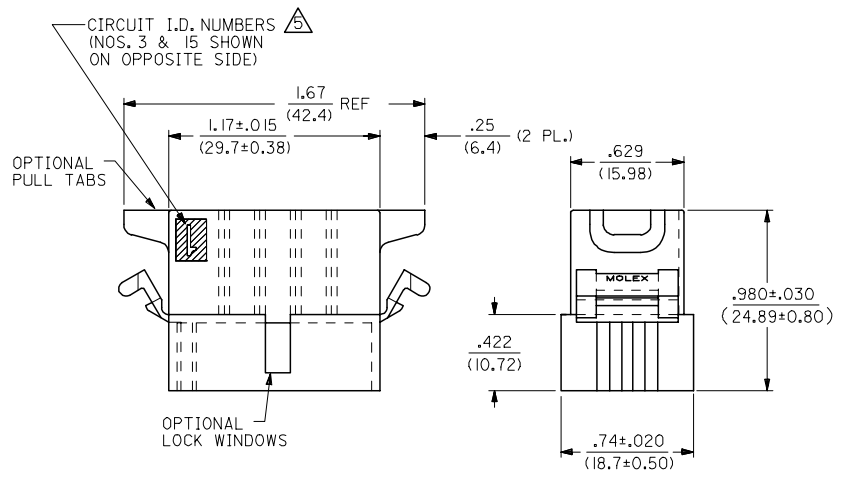
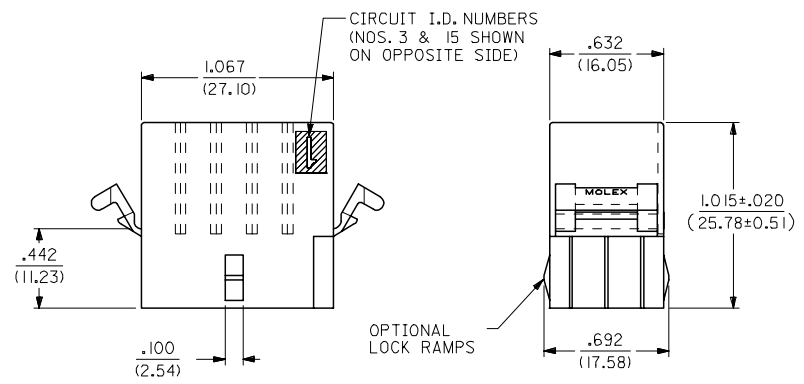
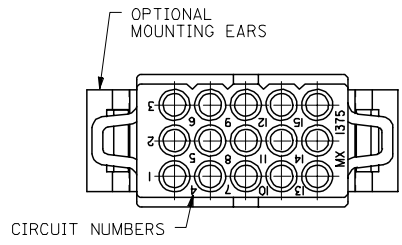
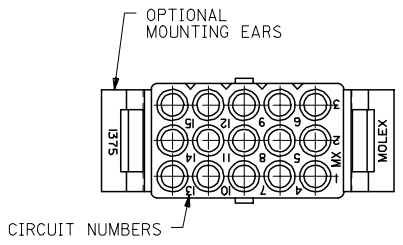
**Use With**

[1189](#) Crimp Terminals, [1190](#) Crimp Terminals, [1376](#) Male PC Tail Terminals, [1377](#) Female PC Tail Terminals, [1380](#) Male Crimp Terminals, [1381](#) Female Crimp Terminals, [1433](#) Crimp Terminals, [1434](#) Male Crimp Terminals, [1973](#) , [2151](#) , [2273](#) , [2870](#) , [2871](#) , [4272](#) , [4550](#) , [6271](#) , [6310](#) , [42477](#) , [42478](#)

13 12 11 10 9 8 7 6 5 4 3 2 1

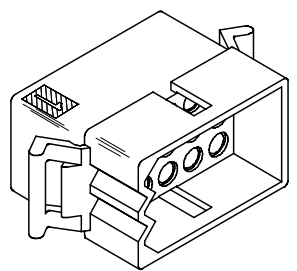
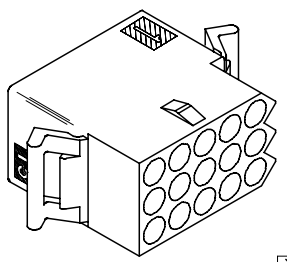
J  
I  
H  
G  
F  
E  
D  
C  
B  
A

J  
I  
H  
G  
F  
E  
D  
C  
B  
A



RECEPTACLE

PLUG



|  |  |   |  |              |  |                        |
|--|--|---|--|--------------|--|------------------------|
| <b>UPDATE TITLE BLOCK</b><br>EC NO: UCP2007-2415<br>DRWNAELHAG 2007/04/17<br>CHKD:LSHMDT 2007/05/03<br>APPR:FSMTH 2007/05/03<br>REVISION DESCRIPTION | QUALITY SYMBOLS                                      | GENERAL TOLERANCES (UNLESS SPECIFIED)   | DIMENSION STYLE  | SCALE        | DESIGN UNITS   | THIRD ANGLE PROJECTION |
|  | $\nabla=0$<br>$\nabla=0$                             | mm INCH<br>4 PLACES ± --- ± ---<br>3 PLACES ± --- ± .010<br>2 PLACES ± 0.25 ± .014<br>1 PLACE ± 0.35 ± ---<br>ANGULAR ±1/2° | IN/MM<br>DRAWN BY DATE<br>KBW 01/14/1989<br>CHECKED BY DATE<br>RW 01/14/1989<br>APPROVED BY DATE<br>RAS 01/14/1989 | 2:1          | INCH   |                        |
|  | DRAFT WHERE APPLICABLE MUST REMAIN WITHIN DIMENSIONS | SEE CHART   | MATERIAL NO.   | DOCUMENT NO. | .093/(2.36) HOUSINGS<br>PLUG & RECEPTACLE<br>15 CIRCUIT, .198/(5.03)CL |                        |
|  | AE   | SIZE C  | MATERIAL NO.   | DOCUMENT NO. | MOLEX INCORPORATED<br>SD-1375-*  |                        |
|  |  |   | SHEET NO.  |              | 1 OF 2   |                        |

12 11 10 9 8 7 6 5 4 3 2 1

