

## Specifications

Current rating: 1A AC,DC

Voltage rating: 100V AC,DC

Temperature range: -25°C ~ +85°C

Contact resistance: 20mΩ Max.

Insulation resistance: 500MΩ Min.

Withstanding voltage: 500V AC/minute

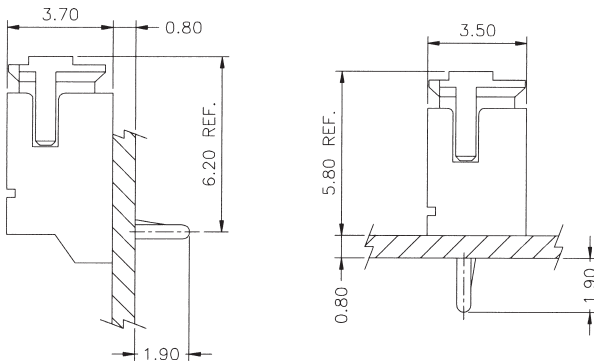
\*Contact H.R for details\*

## Standards

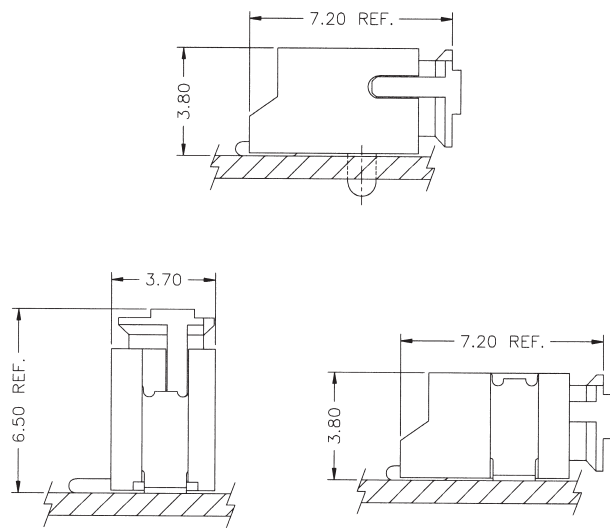


E179987 LR113464

## Assembly layout



DIP TYPE



SMT TYPE



# A1500 SERIES

1.50mm pitch wire to board connector

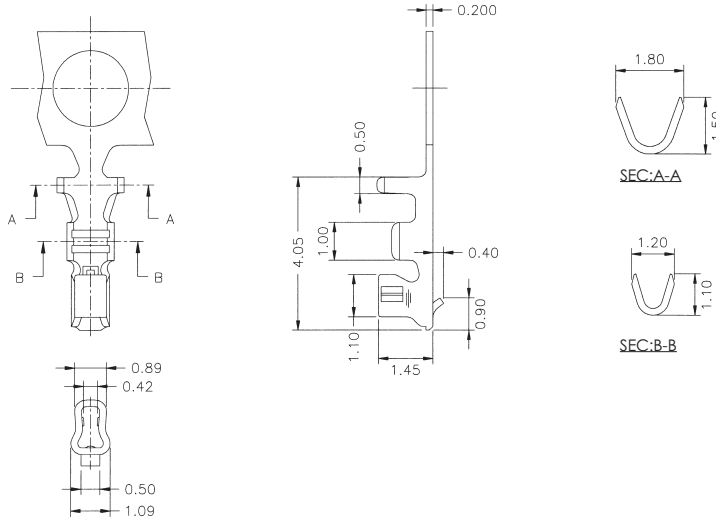


## A1500-T

1.50mm pitch Crimp Terminal

### Reference Informations:

\*Used in H.R A1500 series Housing



### Ordering Information & Specifications:

Unit:mm

Part No.	Wire Range	Insulation O.D.	Material	Finish	Qty/reel
A1500-TPe	AWG#26-#32	1.10mm(max)	Phosphor Bronze	Tin-plated	15,000pcs

Note:e-Stamping before Tin-plated

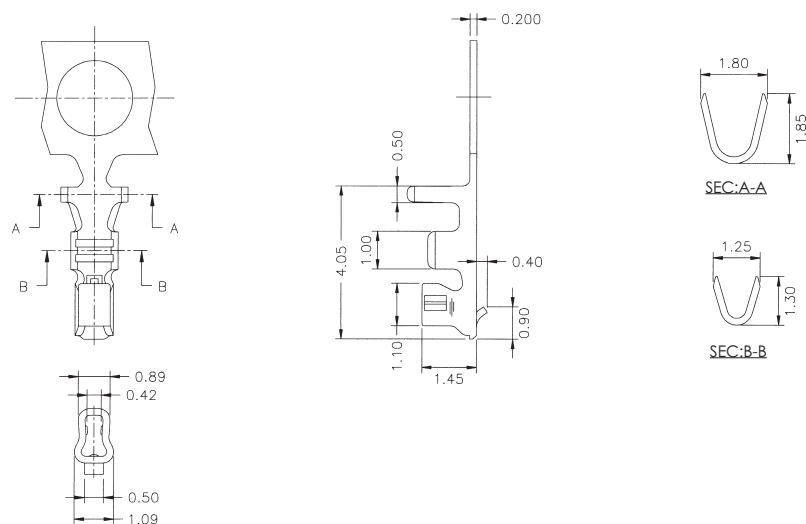


## A1500-T

1.50mm pitch Crimp Terminal

### Reference Informations:

\*Used in H.R A1500 series Housing



### Ordering Information & Specifications:

Unit:mm

Part No.	Wire Range	Insulation O.D.	Material	Finish	Qty/reel
A1500-TPe-H	AWG#24-#30	1.10mm(max)	Phosphor Bronze	Tin-plated	15,000pcs

Note:e-Stamping before Tin-plated



# A1500 SERIES

1.50mm pitch wire to board connector

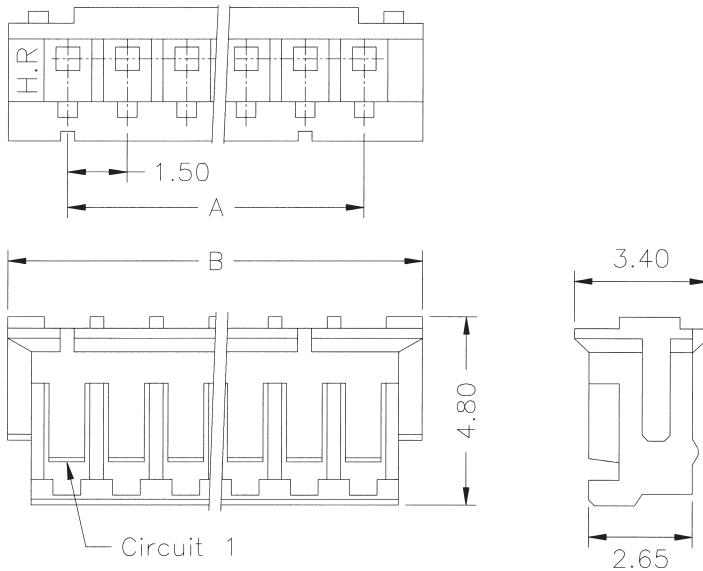
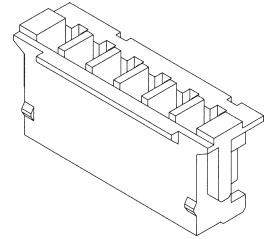


## A1500H

1.50mm pitch Housing

### Reference Informations:

- \*Material: Nylon 66,UL94V-0
- \*Suitable H.R A1500 series Terminal
- \*Mates with H.R A1500 series Wafer



### Ordering Information & Dimensions:

PART NO.	Dimensions	
	A	B
A1500H-2P	1.50	4.50
A1500H-3P	3.00	6.00
A1500H-4P	4.50	7.50
A1500H-5P	6.00	9.00
A1500H-6P	7.50	10.50
A1500H-7P	9.00	12.00
A1500H-8P	10.50	13.50
A1500H-9P	12.00	15.00
A1500H-10P	13.50	16.50
A1500H-11P	15.00	18.00
A1500H-12P	16.50	19.50
A1500H-13P	18.00	21.00

Unit:mm

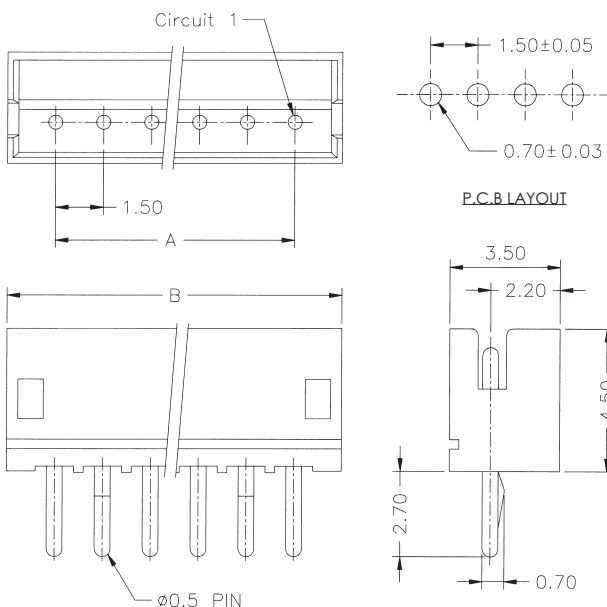
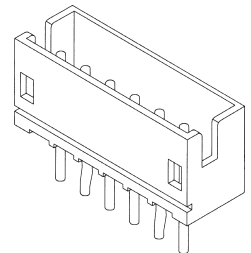


## A1500WW

1.50mm pitch 180° Wafer

### Reference Informations:

- \*Material: Pin: Brass/Tin-plated  
Wafer: Nylon 66,UL94V-0
- \*Mates with H.R A1500 series Housing



### Ordering Information & Dimensions:

PART NO.	Dimensions	
	A	B
A1500WV-2P	1.50	4.50
A1500WV-3P	3.00	6.00
A1500WV-4P	4.50	7.50
A1500WV-5P	6.00	9.00
A1500WV-6P	7.50	10.50
A1500WV-7P	9.00	12.00
A1500WV-8P	10.50	13.50
A1500WV-9P	12.00	15.00
A1500WV-10P	13.50	16.50
A1500WV-11P	15.00	18.00
A1500WV-12P	16.50	19.50
A1500WV-13P	18.00	21.00

Unit:mm



# A1500 SERIES

1.50mm pitch wire to board connector



## A1500WR

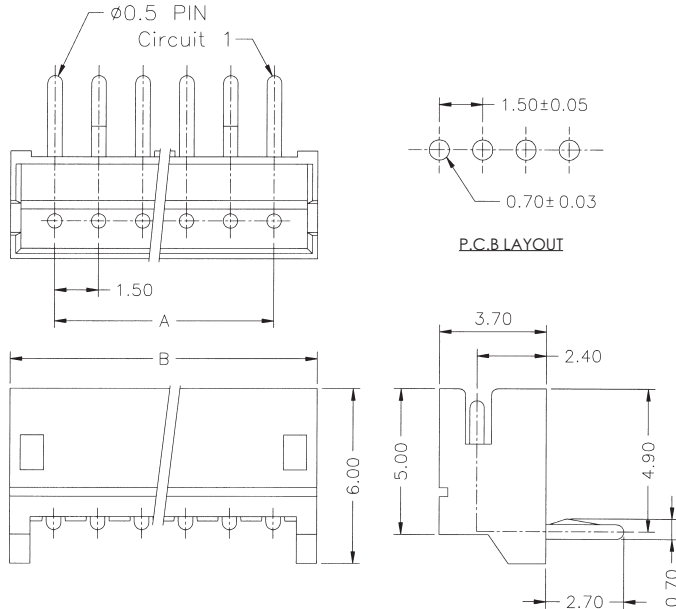
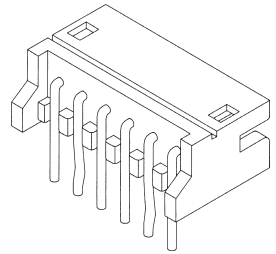
— 1.50mm pitch 90° Wafer

### Reference Informations:

\*Material: Pin: Brass/Tin-plated

Wafer: Nylon 66,UL94V-0

\*Mates with H.R A1500 series Housing



### Ordering Information & Dimensions:

PART NO.	Dimensions	
	A	B
A1500WR-2P	1.50	4.50
A1500WR-3P	3.00	6.00
A1500WR-4P	4.50	7.50
A1500WR-5P	6.00	9.00
A1500WR-6P	7.50	10.50
A1500WR-7P	9.00	12.00
A1500WR-8P	10.50	13.50
A1500WR-9P	12.00	15.00
A1500WR-10P	13.50	16.50
A1500WR-11P	15.00	18.00
A1500WR-12P	16.50	19.50
A1500WR-13P	18.00	21.00

Unit:mm



## A1500WV-S

— 1.50mm pitch 180° Wafer - SMT TYPE

### Reference Informations:

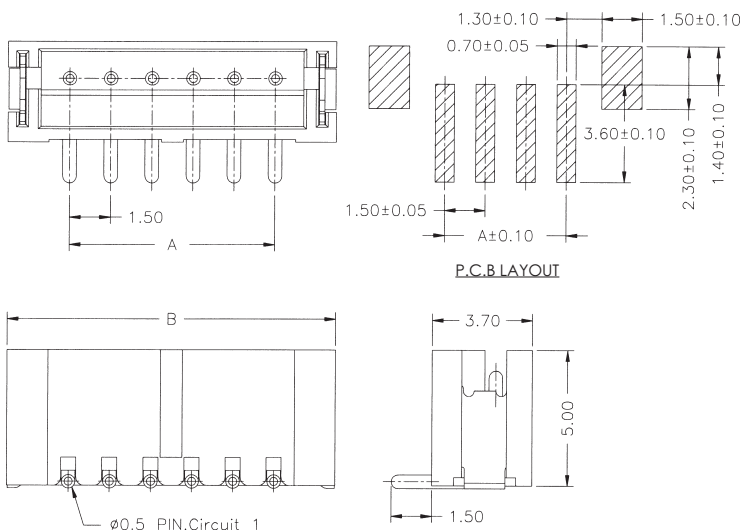
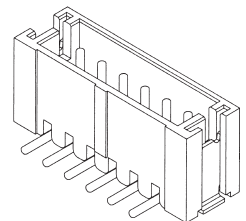
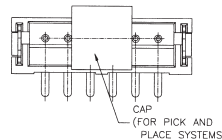
\*Material: Pin: Brass/Tin-plated

Solder Tabs: Brass/Tin-plated

Wafer: Nylon 6T,UL94V-0

Cap: Nylon 6T,UL94V-0

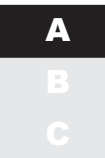
\*Mates with H.R A1500 series Housing



### Ordering Information & Dimensions:

PART NO.	Dimensions	
	A	B
A1500WV-S-2P	1.50	6.00
A1500WV-S-3P	3.00	7.50
A1500WV-S-4P	4.50	9.00
A1500WV-S-5P	6.00	10.50
A1500WV-S-6P	7.50	12.00
A1500WV-S-7P	9.00	13.50
A1500WV-S-8P	10.50	15.00
A1500WV-S-9P	12.00	16.50
A1500WV-S-10P	13.50	18.00
A1500WV-S-11P	15.00	19.50
A1500WV-S-12P	16.50	21.00
A1500WV-S-13P	18.00	22.50

Unit:mm



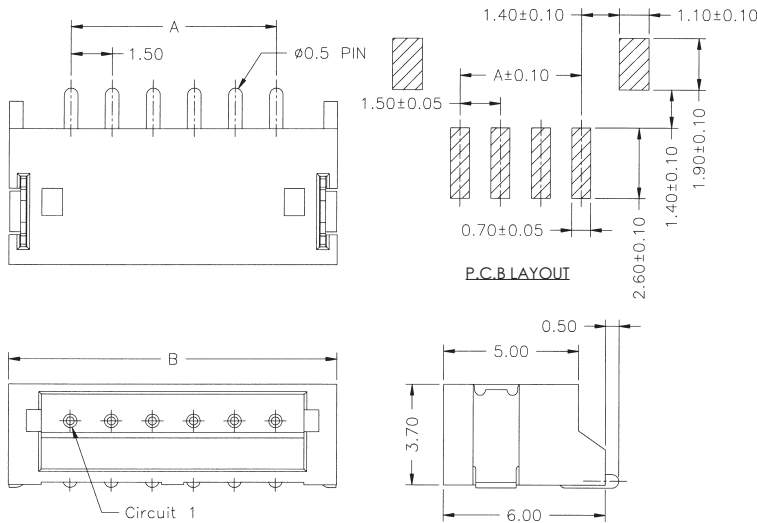
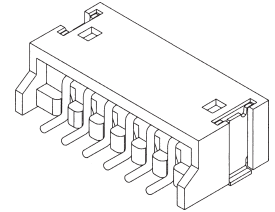


### A1500WR-S

1.50mm pitch 90° Wafer - SMT TYPE

#### Reference Informations:

- \*Material: Pin: Brass/Tin-plated  
Solder Tabs: Brass/Tin-plated  
Wafer: Nylon 6T,UL94V-0
- \*Mates with H.R A1500 series Housing



#### Ordering Information & Dimensions:

PART NO.	Dimensions	
	A	B
A1500WR-S-2P	1.50	6.00
A1500WR-S-3P	3.00	7.50
A1500WR-S-4P	4.50	9.00
A1500WR-S-5P	6.00	10.50
A1500WR-S-6P	7.50	12.00
A1500WR-S-7P	9.00	13.50
A1500WR-S-8P	10.50	15.00
A1500WR-S-9P	12.00	16.50
A1500WR-S-10P	13.50	18.00
A1500WR-S-11P	15.00	19.50
A1500WR-S-12P	16.50	21.00
A1500WR-S-13P	18.00	22.50

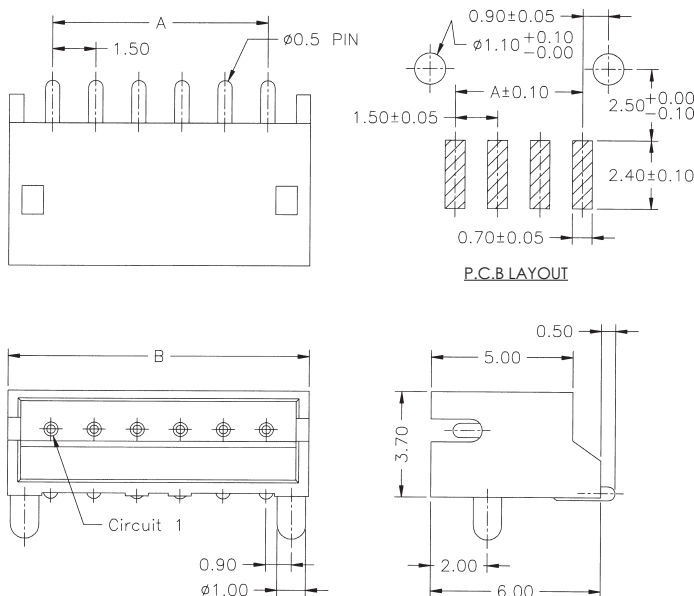
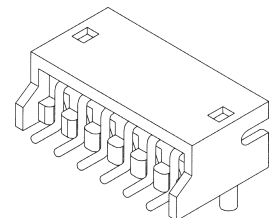
Unit:mm

### A1500WR-S-F

1.50mm pitch 90° Wafer - SMT TYPE

#### Reference Informations:

- \*Material: Pin: Brass/Tin-plated  
Wafer: Nylon 6T,UL94V-0
- \*Mates with H.R A1500 series Housing



#### Ordering Information & Dimensions:

PART NO.	Dimensions	
	A	B
A1500WR-S-F-2P	1.50	4.50
A1500WR-S-F-3P	3.00	6.00
A1500WR-S-F-4P	4.50	7.50
A1500WR-S-F-5P	6.00	9.00
A1500WR-S-F-6P	7.50	10.50
A1500WR-S-F-7P	9.00	12.00
A1500WR-S-F-8P	10.50	13.50
A1500WR-S-F-9P	12.00	15.00
A1500WR-S-F-10P	13.50	16.50
A1500WR-S-F-11P	15.00	18.00
A1500WR-S-F-12P	16.50	19.50
A1500WR-S-F-13P	18.00	21.00

Unit:mm



# A1500WR-S

1.50mm pitch 90° Wafer - SMT TYPE

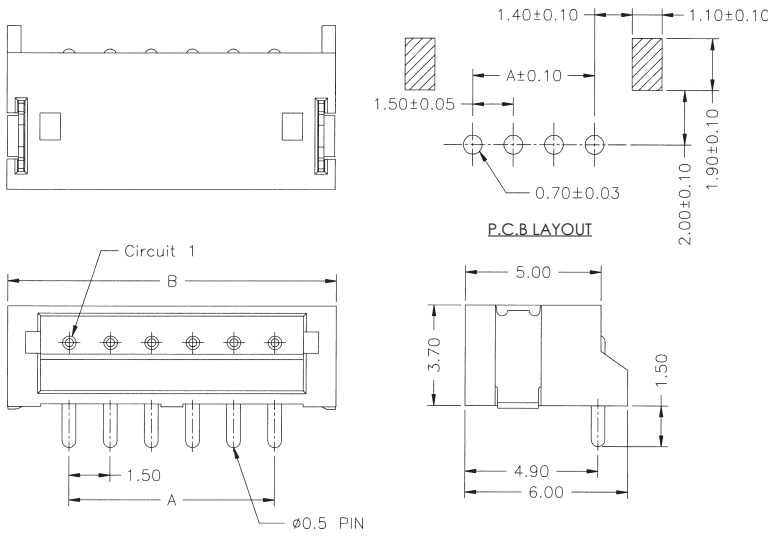
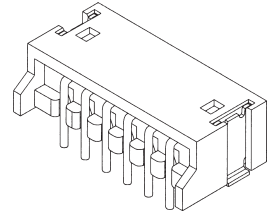
### Reference Informations:

\*Material: Pin: Brass/Tin-plated

Solder Tabs: Brass/Tin-plated

Wafer: Nylon 6T,UL94V-0

\*Mates with H.R A1500 series Housing



### Ordering Information & Dimensions:

PART NO.	Dimensions	
	A	B
A1500WR-S-2P-A	1.50	6.00
A1500WR-S-3P-A	3.00	7.50
A1500WR-S-4P-A	4.50	9.00
A1500WR-S-5P-A	6.00	10.50
A1500WR-S-6P-A	7.50	12.00
A1500WR-S-7P-A	9.00	13.50
A1500WR-S-8P-A	10.50	15.00
A1500WR-S-9P-A	12.00	16.50
A1500WR-S-10P-A	13.50	18.00
A1500WR-S-11P-A	15.00	19.50
A1500WR-S-12P-A	16.50	21.00
A1500WR-S-13P-A	18.00	22.50

Unit:mm

