

RoHS

SPECIFICATIONS

Rated Current:3.0AMP

Contact Resistance:20mΩ Max

Withstand Voltage:1000V AC/DC

Insulation Resistance:1000MΩ Min

Operation Temperature:-40°c to +105°c

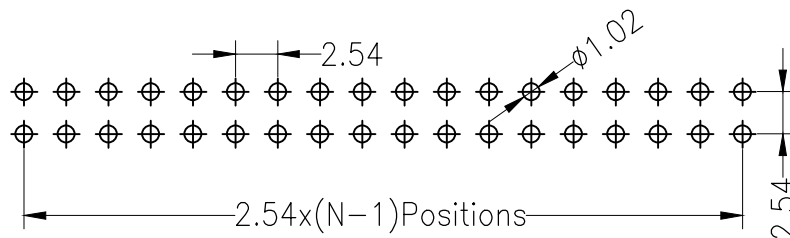
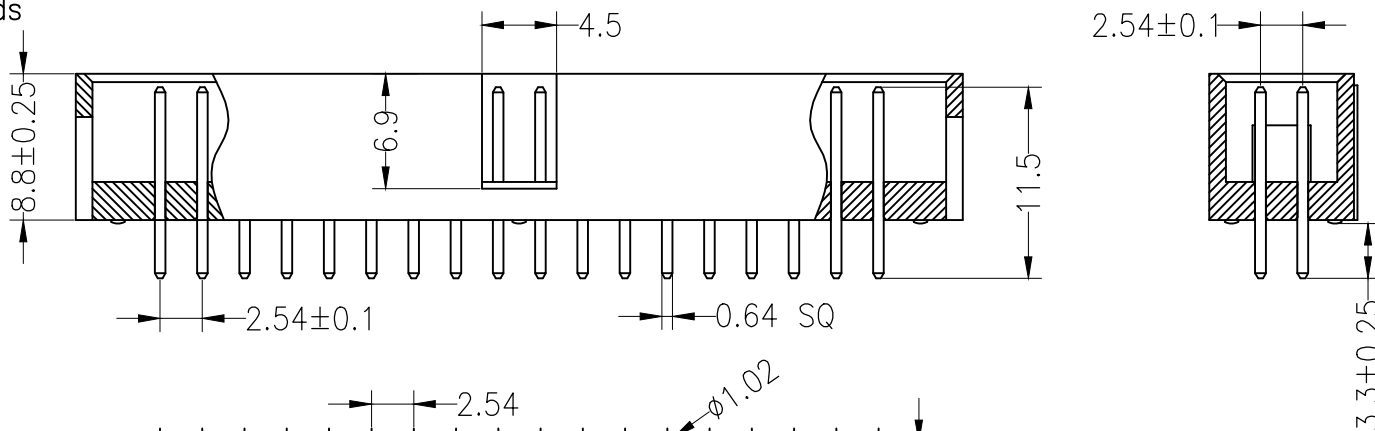
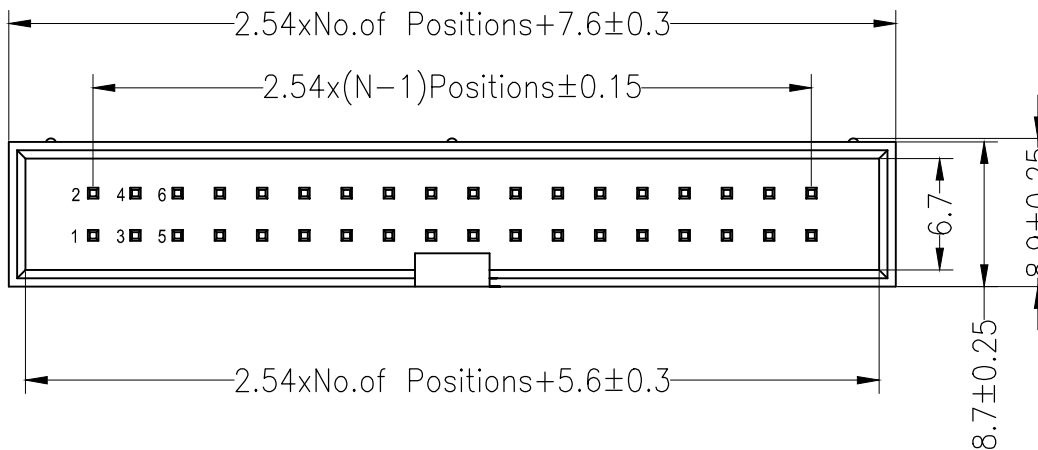
Contact Material:Brass

Contact Plating:Au Over Ni

Insulator Material:Polyester(UL94V-0)

Standard: PBT

Max.Processing Temp: 180°C for 30-60 seconds  
(200°C for 10 seconds)



Recommended P.C.B Layout(Top Side)  
(PCB BOARD TOLERANCE±0.05)

				OPERATION		DRAW		SCALE	FIT	深圳市连盛精密连接器有限公司	
				X.X	±0.30			UNIT	mm		
				X.XX	±0.20	CHECK		SIZE	A4	PART NO.	
				X.XXX	±0.10			SHEET	1/1	BH-00191	
A0	2012.03.28	NEW DRAWING		Angle	±3'	APPROVE		PROJ.		TITLE:	
REV	DATE	MODIFICATION DESCRIPTION		CHANGE	DIM	TOL					2.54Box 18P H8.8mm 180° PBT