

Thick Film Resistor Networks



R Series
(Single-in-Line, Low Profile)

MERITEK

Feature

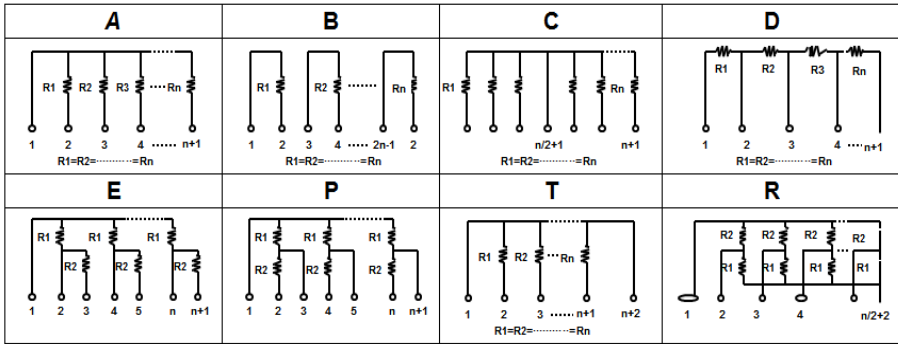
- Wide resistance range: 2291 to 1MΩ (1 Ω - 3.3 MΩ available)
- Miniature package with maximum sealed heights 0.2"(5.08mm)
- Highly stable thick film products
- Products protected by tough epoxy conformal coating
- Reduces total assembly cost
- Mixed value resistances available



PART NUMBERING SYSTEM

Meritek Series

Circuit Configurations



R A 09 103 G

Element No.

2 – 20

Resistance Value

The first two digits are significant figures

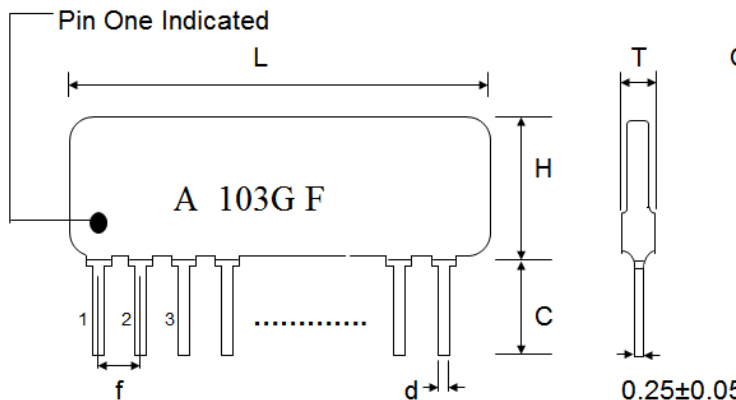
Of resistance value and the third denotes the number of zeros following

CODE	331	472	223	104
Value	330Ω	4.7KΩ	22KΩ	100KΩ

Resistance Tolerance

CODE	F	G	J
Tolerance	± 1%	± 2%	± 5%

Construction and Dimension



ORDER TYPE:

STYLE:	9
L (MAX)	22.9
H (MAX)	5.08
T (MAX)	2.5
C +0.3/-0.2	2.8
d ± 0.05	0.5
f ±	2.54

Thick Film Resistor Networks



R Series
(Single-in-Line, Low Profile)

MERITEK

Item	Requirement	Test Methods
Resistance to soldering heat	$\Delta R \leq \pm (0.5\% + 0.05\Omega)$	With $350 \pm 5^\circ\text{C}$, for 3 seconds
Solderability	Over 95% of termination must be covered with new solder.	After immersing flus, dip in the 260°C Max. solder bath for 3 ± 0.5 sec.
Terminal Strength (Tensile Strength)	$\Delta R \leq \pm (0.5\% + 0.05\Omega)$ No mechanical damage.	Tensile: 1Kg for 30 Sec. Bending: 500g for 2 times
Exterior	No mechanical defect.	Visual
Size	Within specification	Calipers

Mechanical Characteristics

Electrical Characteristics

Item	Requirement	Test Methods
Temperature Coefficient (ppm / °C)	$R < 50\Omega$, ± 250 PPM/°C $50\Omega \leq R < 2.2\text{M}\Omega$, ± 100 PPM/°C $R \geq 2.2\text{M}\Omega$, ± 250 PPM/°C	$\text{TCR (PPM/}^\circ\text{C)} = \frac{R_2 - R_1}{R_1} \times \frac{1}{T_2 - T_1}$ T1 = 25°C T2 = Test Temperature ($-55^\circ\text{C} \sim +125^\circ\text{C}$) R1: Resistance at Temp. T1 R2: Resistance at Temp. T2
Short-Time Overload	$\Delta R \leq \pm (0.5\% + 0.05\Omega)$	2.5X Rated Voltage for 5 Sec. (200V max.) Measure resistance after 30 minutes.