



2016-V1.0-0719

Specifications

Constant Current LED Power Supplies

LCU-40C Series, 40W

PAIRUI ELECTRONICS

No. 545 Museum Road
Yangzhou, Jiangsu
China 225009

Tel: 86 (514) 8279 1592

Fax: 86 (514) 8769 3159

2016

LED Power Supplies for Outdoor Use

LCU-40C SERIES, 40WATT, IP67 RATING

Features

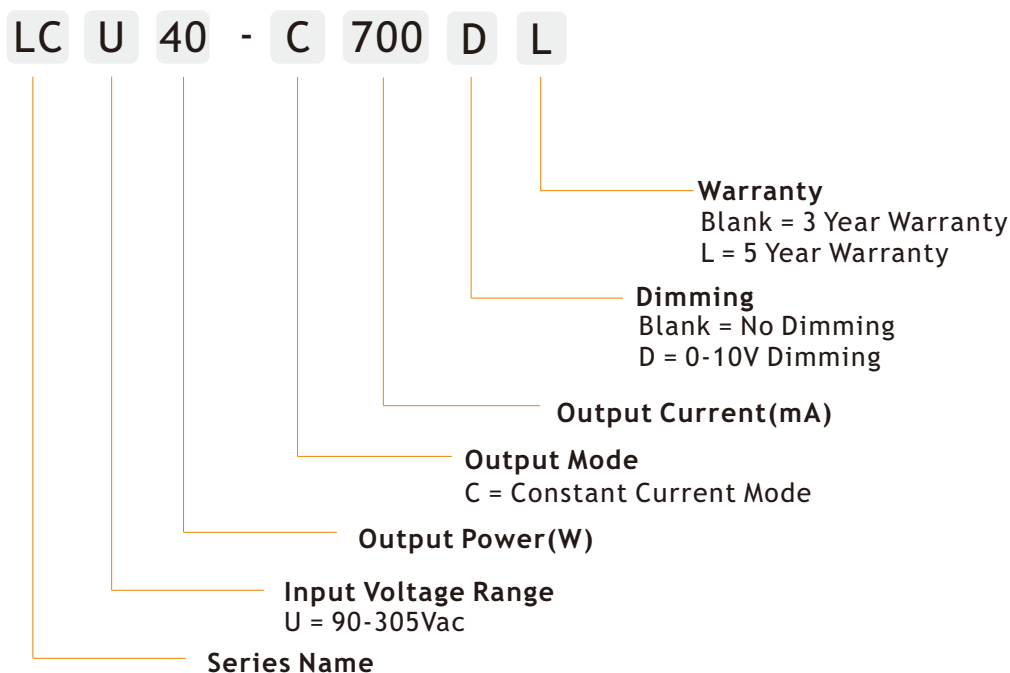
- 3 or 5 Year Warranty
- Universal Input Voltage Range: 90~305Vac
- Constant Current Output Mode
- Waterproof Rating IP67
- Built-in Active Power Factor Correction
- Class II Power, no FG
- Short Circuit, Over Voltage, Over Current Protections
- 0-10V Dimming Optional



Applications

- ✓ Garden Light
- ✓ Landscape Light
- ✓ Stage Light
- ✓ Cabinet Light
- ✓ Other Indoor and Outdoor used Lights

Electrical



Electrical

Part Number	Nominal Input Voltage	Output Current Output Voltage	No Load Output Voltage	Ripple	Efficiency	Certificate
LCU40-C350	100-277VAC	350mA(69-114V)	128V	40%	90%	CE, UL
LCU40-C450	100-277VAC	450mA(53-89V)	105V	40%	90%	CE, UL
LCU40-C700	100-277VAC	700mA(34-57V)	67V	40%	88%	CE, UL
LCU40-C1050	100-277VAC	1050mA(23-38V)	49V	40%	87%	CE, UL
LCU40-C1280	100-277VAC	1280mA(19-31V)	40V	40%	87%	CE, UL
LCU40-C1400	100-277VAC	1400mA(17-29V)	37V	40%	86%	CE, UL
LCU40-C1660	100-277VAC	1660mA(14-24V)	31V	40%	86%	CE, UL

NOTE:

1. Other output models are may available on request;
2. Add suffix "D" for 0-10V dimming;
3. Above models are default to 3 year warranty, add suffix "L" for 5 year warranty.

INPUT

PARAMETER	CONDITIONS	MIN	TYP	MAX	UNITS
Input voltage		90		305	Vac
Input frequency		47		63	Hz
Input current	Full load, Vin=110Vac Full load, Vin=220Vac		0.48 0.24		A A
Inrush current	Cold start, Vin=230Vac			35	A
Power factor(PF)	Full load, Vin=110Vac Full load, Vin=220Vac		0.98 0.94		
Surge voltage	L-N		2		KV

OUTPUT

PARAMETER	CONDITIONS	MIN	TYP	MAX	UNITS
Output current accuracy			5		%
Line regulation	Vin from 100Vac to 277Vac		1		%
Load regulation	Vout from min. to max.		3		%
Output current overshoot	Turning on			10	%
Turn-on delay time	Cold start, power on		1000		ms
Ripple	Please refer to below measurement method		40%Io		mAp-p
THD	Output load≥60%			20	%

NOTE: The values are measured at 20MHz of bandwidth by using a 12" twisted pair-wire terminated with 0.1uF & 47uF parallel capacitor under ambient temperature 25°C at rated input voltage and rated load.

Protection

Short circuit	In hiccup mode, it will recover automatically after fault condition is removed
Over voltage	110-150% Vout, the driver shall return to normal operation after the power is turn-on again
Over current	In hiccup mode, it will recover automatically after fault condition is removed

Environment

PARAMETER	CONDITIONS	MIN	TYP	MAX	UNITS
Ambient operating temperature	Startup at rated voltage (Derating required)	-35		+70	°C
Operating relative humidity	Non condensing	20		90	%
Storage temperature	Humidity 10 ~ 95% RH	-40		+80	°C
Maximum case temperature	Hot-spot on case			+75	°C
MTBF	Full load, 220Vac input, 25°C ambient temperature	200			Khrs
Waterproof rating	IP67				
Dimension(LxWxH)	95.0 x 70.0 x 32.0mm				
Weight	330g				

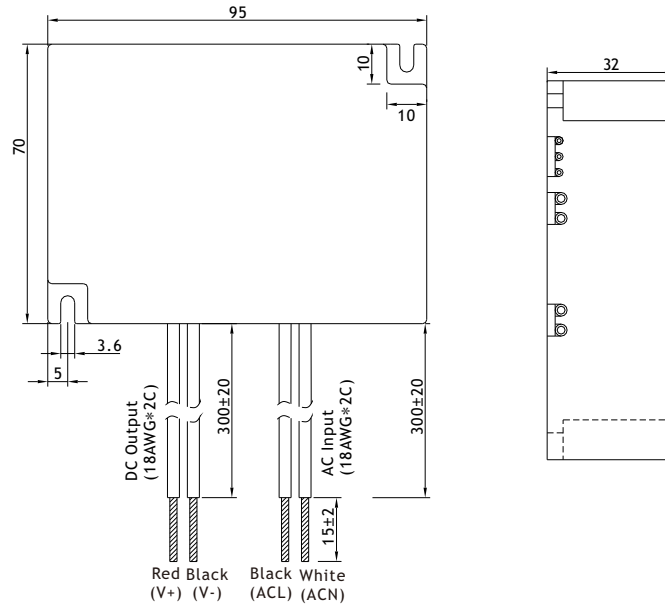
Safety/EMC

Safety	Design refer to UL1310, EN61347, EN61347-2-13
EMC	Compliance to EN55015, FCC Part 15 Class B, EN61000-3-2, EN61000-3-3, EN61000-4-2, 3, 4, 6, 8, 11, EN61547

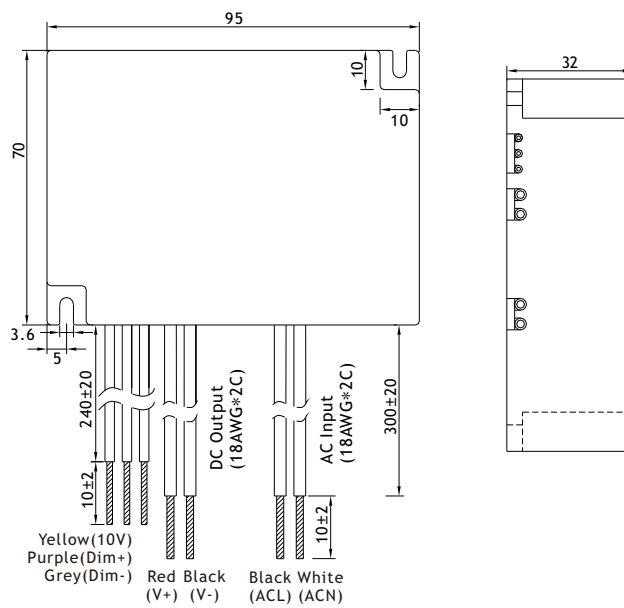
NOTE: Unless otherwise specified, all the above parameters are measured at ambient temperature of 25°C and Vin=100Vac to 277Vac.

Mechanical

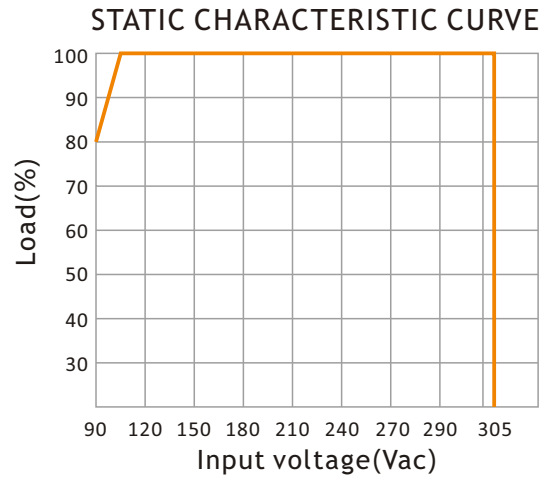
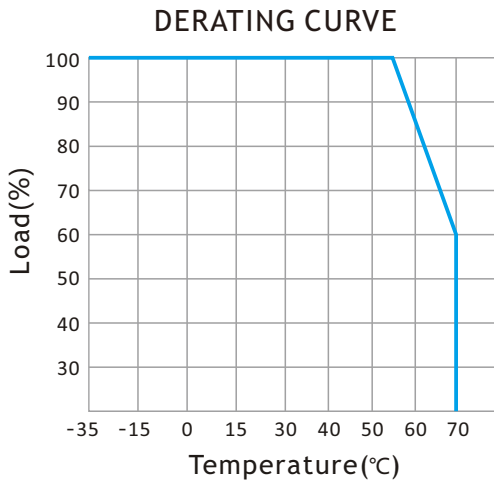
No Dimming



0-10V Dimming

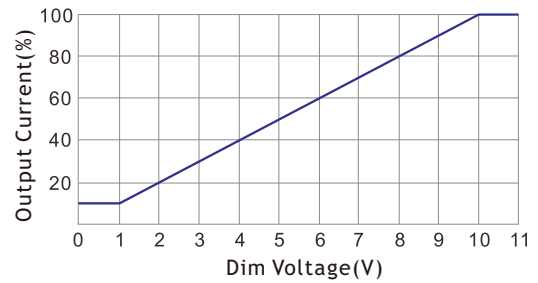
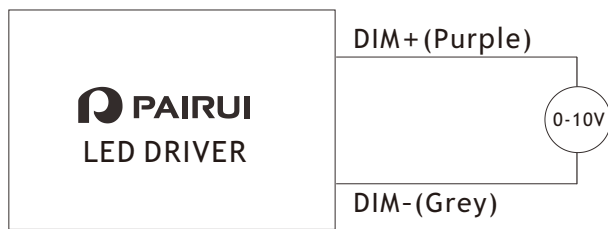


Electrical Curve

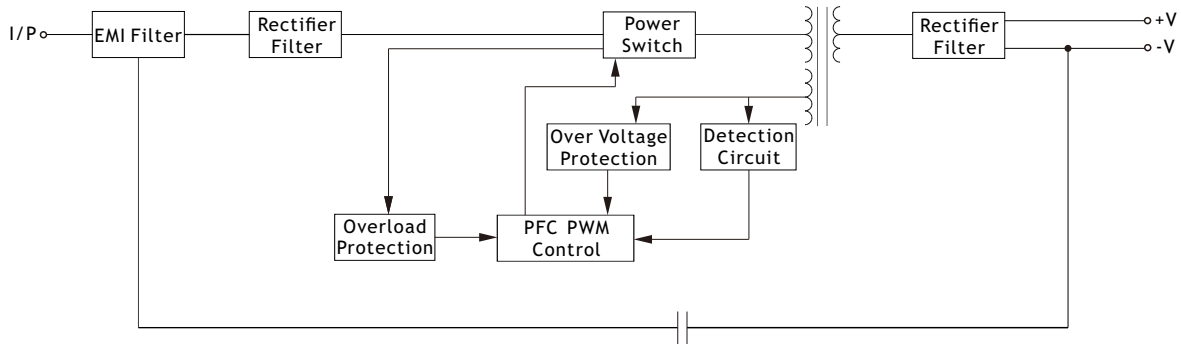


Dimming Function

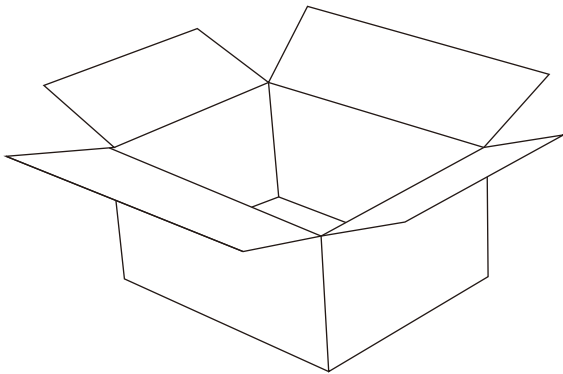
0-10V Dimming



Block Diagram



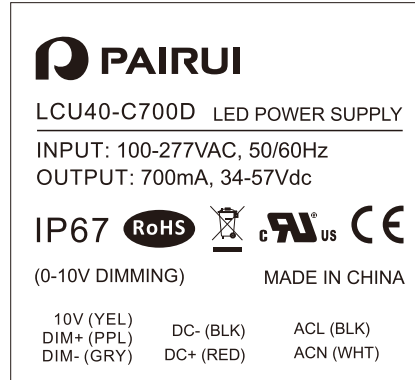
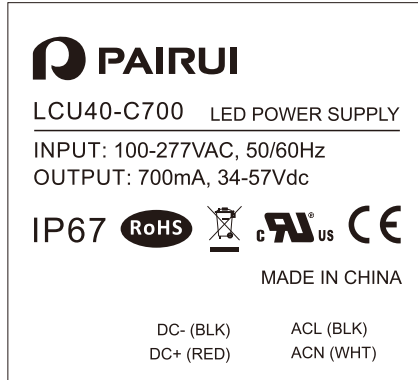
Package



Outer Carton
L 330 x W 290 x H 280mm

SERIES	QTY/CARTON	NET WEIGHT	GROSS WEIGHT	VOLUME
LCU-40C	36 pieces	11.9kg/carton	13kg/carton	0.03CBM/carton

Labelling



Symbol	Description
IP67	Type of protection(IP67 for indoor and outdoor use)
	RoHS Mark
	WEEE Mark(Wasted Electrical and Electronic Equipment)
	CE Mark
	UL & CUL Mark