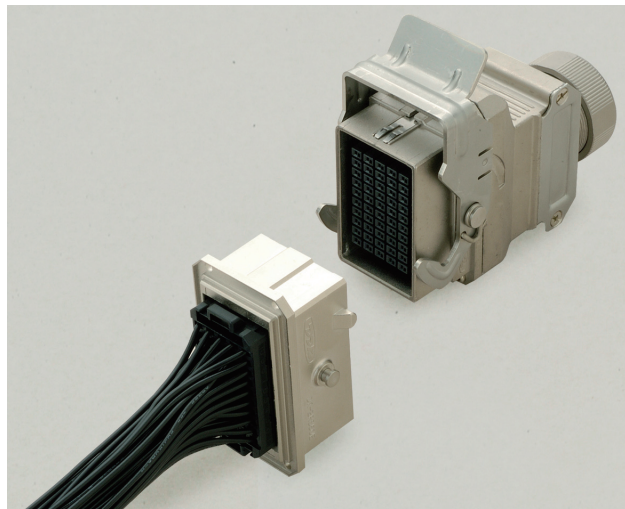


# Industrial waterproof rectangular connector

## DK-2 Series

## DDK Ltd.



※ 50-Pin

### OUTLINE

- ◆ Waterproof rectangular connector was developed for connecting industrial equipment.
- ◆ Crimp termination contacts are the same as those of DK-2000 series.
- ◆ Tab and a receptacle housing are being prepared for the shell shape of the plug, the cable receptacle and the receptacle.
- ◆ DK-2 has one touch locking lever mechanism and a locking supporting system.  
Pushing contacts in the direction of the mating half makes the connectors automatically and temporarily locked and you can mate the connectors easily.

### APPLICATIONS

FA equipment (internal and external), robots, servo motors, medical equipment, communication equipment, OA equipment, various other electrical equipment

### SPECIFICATIONS

Item	DK-2 Series
Rated Voltage	250V AC(r.m.s.)
Rated Current	5A max. / Contact
Dielectric Withstanding Voltage	1,500V AC(r.m.s.) / 1 minute
Insulation Resistance	1,000M $\Omega$ min. at 500V DC
Contact Resistance	10m $\Omega$ max.
Contact Pitch	3.5mm
Applicable Cable Size	AWG#18 – #28
Waterproof Rating	IP67
Number of Contacts	36 and 50 Pin

### SAFETY STANDARD

c  US



Type Approved  
Safety  
Regular Production  
Surveillance

www.tuv.com  
ID 2000000000

### MATERIALS/FINISHES



Item	Materials / Finishes
Contact	Copper Alloy / Au over Ni Plating
Housing	PBT Resin(UL94V-0) / Black
Shell / Hood	Aluminum Alloy and Zinc Alloy

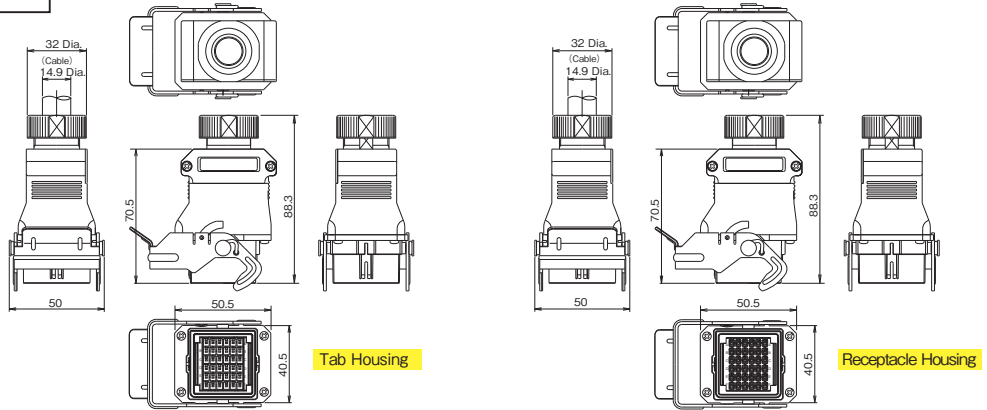
© Specifications and/or dimensions in this catalogue are subject to change without notice.  
Your catalogue checking the latest specifications with our drawings would be highly appreciated.

▶ 36 Pin Connectors

Plug

DK-2P36F □ □ -S

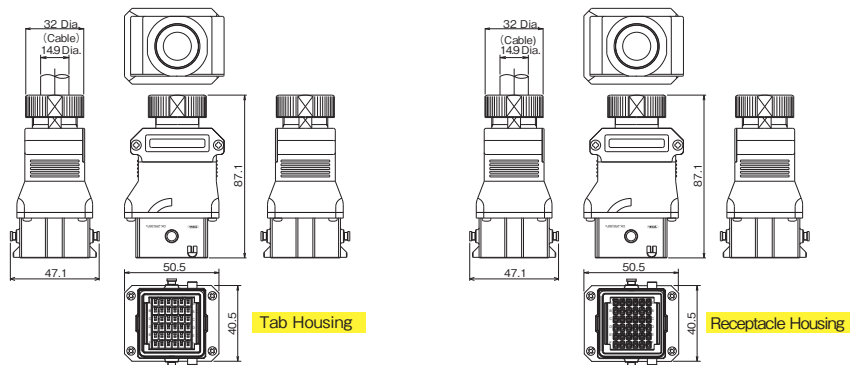
RC : Receptacle Housing  
TC : Tab Housing



Cable Receptacle

DK-2CR36F □ □ -S

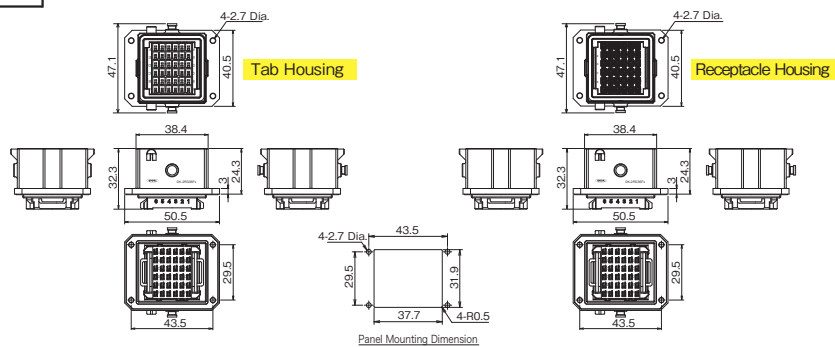
RC : Receptacle Housing  
TC : Tab Housing



Receptacle

DK-2R36F □ □ -S

RC : Receptacle Housing  
TC : Tab Housing



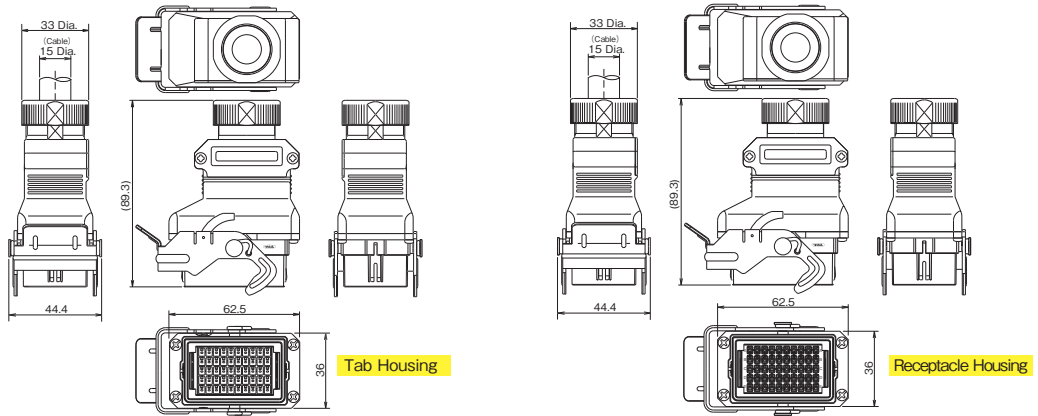
© Specifications and/or dimensions in this catalogue are subject to change without notice.  
Your catalogue checking the latest specifications with our drawings would be highly appreciated.

▶ 50 Pin Connectors

Plug

DK-2P50E □ □ -S

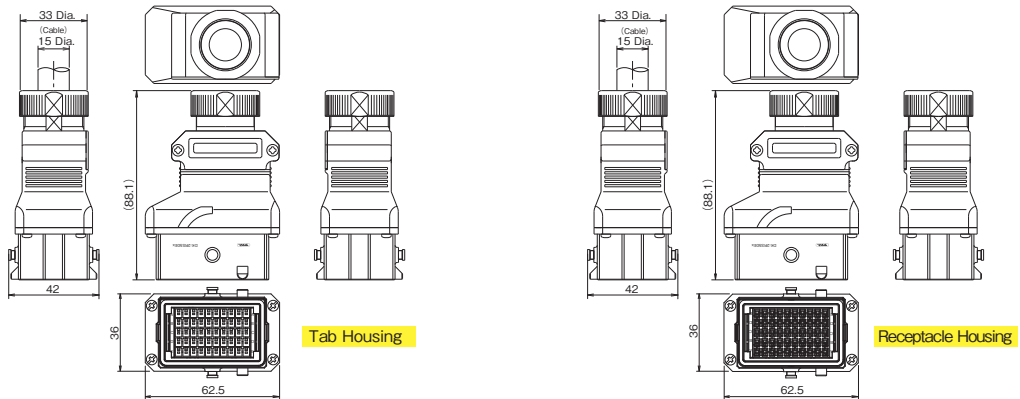
RC : Receptacle Housing  
TC : Tab Housing



Cable Receptacle

DK-2CR50E □ □ -S

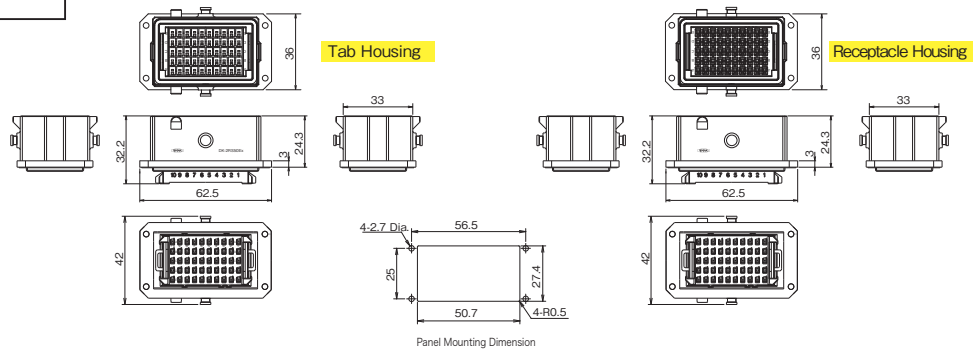
RC : Receptacle Housing  
TC : Tab Housing



Receptacle

DK-2R50E □ □ -S

RC : Receptacle Housing  
TC : Tab Housing



© Specifications and/or dimensions in this catalogue are subject to change without notice.  
Your catalogue checking the latest specifications with our drawings would be highly appreciated.

## ▶ Crimp Contact

## DK-2 Contact

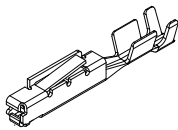
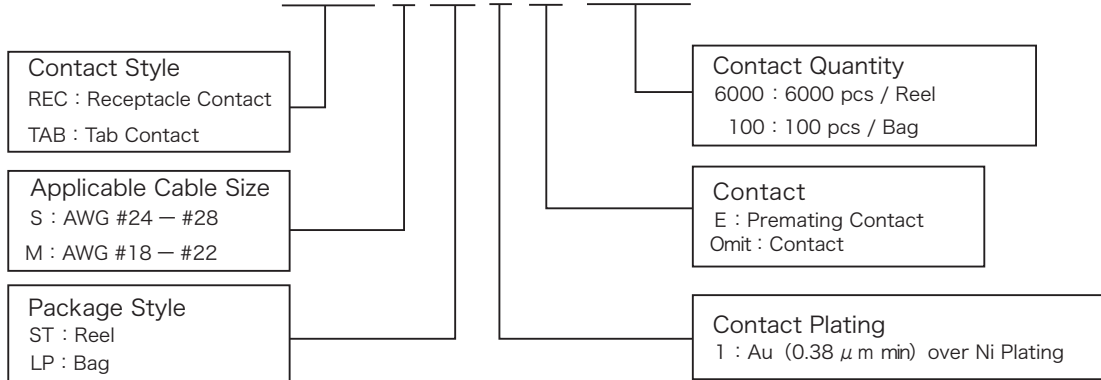
## 【Contact】

Applicable Cable Size		Insulation O.D. (mm)	Contact Size	Package Style	Part Number		Contact Quantity (pcs)
AWG	mm <sup>2</sup>				Receptacle Contact	Tab Contact	
28	0.08	0.88 ~ 1.50	S	Reel	DK-2RECSST1-6000	DK-2TABSST1-6000	6,000
26	0.12			Bag	DK-2RECSLP1-100	DK-2TABSLP1-100	100
24	0.20						
22	0.30	1.11 ~ 2.0	M	Reel	DK-2RECMST1-6000	DK-2TABMST1-6000	6,000
20	0.50			Bag	DK-2RECMLP1-100	DK-2TABMLP1-100	100
18	0.80						

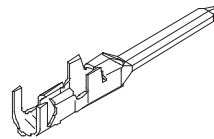
## 【Premating Contact】

Applicable Cable Size		Insulation O.D. (mm)	Contact Size	Package Style	Part Number		Contact Quantity (pcs)
AWG	mm <sup>2</sup>				Receptacle Contact	Tab Contact	
28	0.08	0.88 ~ 1.50	S	Reel	DK-2RECSST1-E-6000	DK-2TABSST1-E-6000	6,000
26	0.12			Bag	DK-2RECSLP1-E-100	DK-2TABSLP1-E-100	100
24	0.20						
22	0.30	1.11 ~ 2.0	M	Reel	DK-2RECMST1-E-6000	DK-2TABMST1-E-6000	6,000
20	0.50			Bag	DK-2RECMLP1-E-100	DK-2TABMLP1-E-100	100
18	0.80						

## DK-2RECSST1-E-6000



■ Receptacle Contact



■ Tab Contact