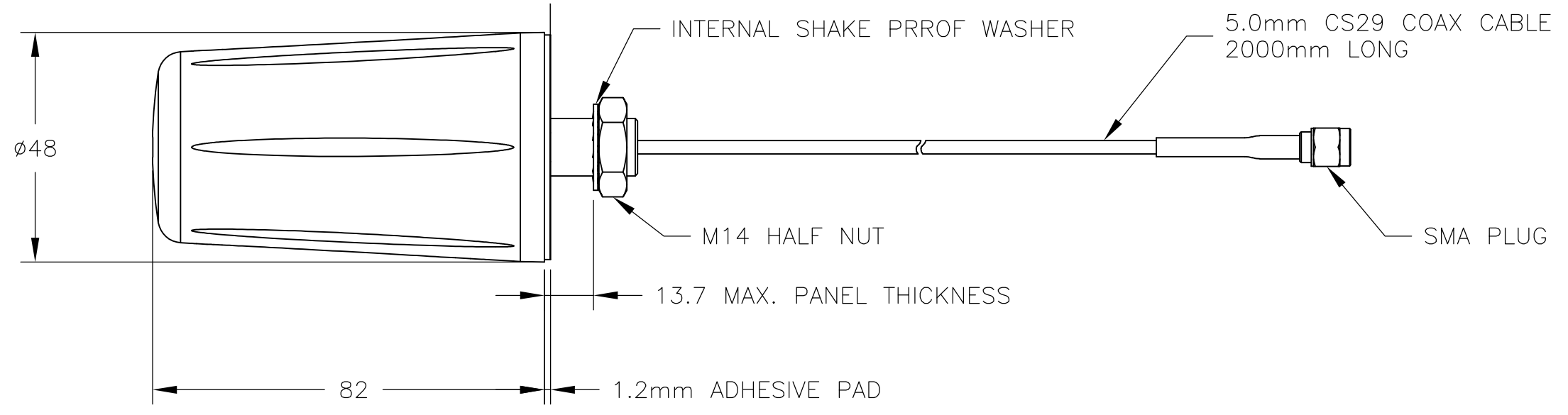
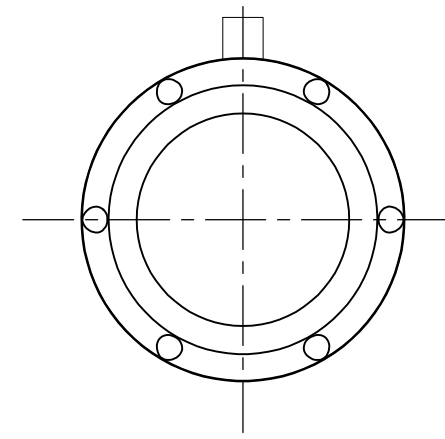


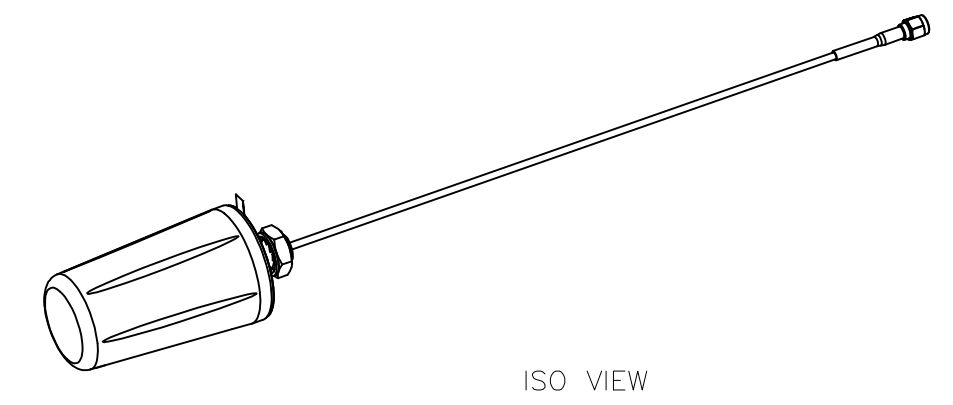
THIS DRAWING IS UNPUBLISHED.		RELEASED FOR PUBLICATION	
© COPYRIGHT - By -		ALL RIGHTS RESERVED.	
PROJECT NO.	PRJ-16-000905033		
PART NO.	1-2316881-1		
HV DESC.	SISO M2M/IOT LTE ANTENNA 2M CABLE		
CUSTOMER	GENERAL MARKET		

REVISIONS				
P	LTR	DESCRIPTION	DATE	APVD
	A	NEW RELEASE	22FEB2017	KK SE



OPERATING FREQUENCIES
698 - 960 / 1710 - 2700 MHz

- NOTES:
1. ALL MATERIALS SUPPLIED MUST BE RoHS2 (DIRECTIVE 2011/65/EU) COMPLIANT AND MUST NOT CONTAIN ANY SUBSTANCES OF VERY HIGH CONCERN (SVHCs) LISTED UNDER REACH OR POLY-AROMATIC HYDROCARBONS (PAHs), OR PERSISTENT ORGANIC POLLUTANTS (POPs) CONTROLLED BY THE STOCKHOLM CONVENTI.
 2. OPERATING TEMPERATURE -40 TO + 80°C.
 3. MAX. INPUT POWER: 60W.
 4. MATERIAL: HIGH IMPACT UV STABLE ABS.
 5. PEAK GAIN (dBi): 5
 6. PANEL MOUNTED WITH 14mm MOUNTING BUSH.
 7. PATTERN: OMNI-DIRECTIONAL.
 8. SUPPLIED WITH A CONVENIENT ADHESIVE PAD AND A SHORT PIGTAIL FOR CONNECTION TO A CABLE EXTENSION RUN THE ANTENNA IS COST EFFECTIVE TO INSTALL AND ADAPTABLE TO ANY INSTALL ENVIRONMENT.
 9. WEIGHT: 331 gr.



1-2316881-1	SISO M2M/IOT LTE ANTENNA 2M CABLE	BLACK/WHITE COLOR
TE P/N	DESCRIPTION	REMARKS

THIS DRAWING IS A CONTROLLED DOCUMENT.		DWN KIRAN K 21FEB2017	TE Connectivity NAME SISO M2M/IOT LTE ANTENNA 2M CABLE											
DIMENSIONS: mm		CHK KIRAN K 21FEB2017												
TOLERANCES UNLESS OTHERWISE SPECIFIED:		APVD S EGBERT 21FEB2017												
<table border="1"> <tr><td>0 PLC</td><td>± -</td></tr> <tr><td>1 PLC</td><td>± -</td></tr> <tr><td>2 PLC</td><td>± -</td></tr> <tr><td>3 PLC</td><td>± -</td></tr> <tr><td>4 PLC</td><td>± -</td></tr> <tr><td>ANGLES</td><td>± -</td></tr> </table>		0 PLC				± -	1 PLC	± -	2 PLC	± -	3 PLC	± -	4 PLC	± -
0 PLC	± -													
1 PLC	± -													
2 PLC	± -													
3 PLC	± -													
4 PLC	± -													
ANGLES	± -													
MATERIAL -	FINISH -	APPLICATION SPEC -	WEIGHT	SIZE A3	CAGE CODE 00779	DRAWING NO C-2316881	RESTRICTED TO -							
CUSTOMER DRAWING			SCALE NTS	SHEET 1 OF 1	REV A									