

## ADSL Magnetics

For Texas Instruments TNETD4000C

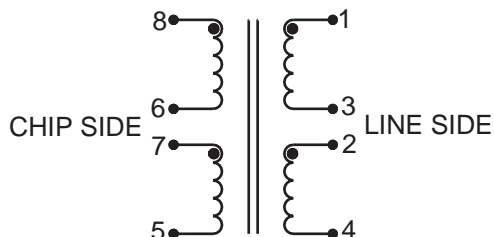
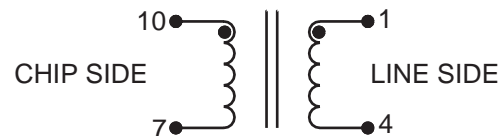
- Designed to meet IEC 950 safety requirements for supplementary insulation at 250V
- Minimum interwinding breakdown voltage of 1500 Vrms
- Operating temperature range: -40° C to +85° C
- Meets IEC 695, 2-2 flammability requirements
- PWB Process Capability: standard printed wiring board assembly techniques, total-immersion cleaning
- Reliability testing: shock, vibration, temperature cycling, temperature - humidity - bias

### ELECTRICAL SPECIFICATIONS AT 25° C

Part Number	Application	Package	Turns Ratio ±2%	Inductance	Leakage Inductance µH max	DCR Ω Max		Longitudinal Balance dB min	Insertion Loss dB max	Frequency Response dB	Harmonic Distortion dB max
			Chip : Line	Line Side	Line Side	Chip Side	Line Side	1 MHz	300 kHz	30 kHz - 1.1 MHz	
S560-6600-F7	ADSL over POTS - CO	SMD	1 : 2	1.5 mH ±5% <sup>1</sup>	8	0.6	1.25	55	0.5	± 0.5	-90 <sup>3</sup>
S560-6600-F8	ADSL over ISDN - CO	SMD	1 : 2	75 µH ±5% <sup>2</sup>	3	0.28	0.28	55	0.5	± 0.5	-90 <sup>3</sup>
S560-6600-F9	ADSL over POTS - CO Active Termination	SMD	1 : 1	375 ±5% <sup>1</sup>	6	0.75	1.80	55	0.5	± 0.5	-70 <sup>4</sup>

1. measured at 10 kHz, 0.1 Vac
2. measured at 100 kHz, 0.1 Vac
3. measured with 100 Ω source at 100 kHz, 15 Vp-p
4. measured with 100 Ω source at 40 kHz, 15 Vp-p

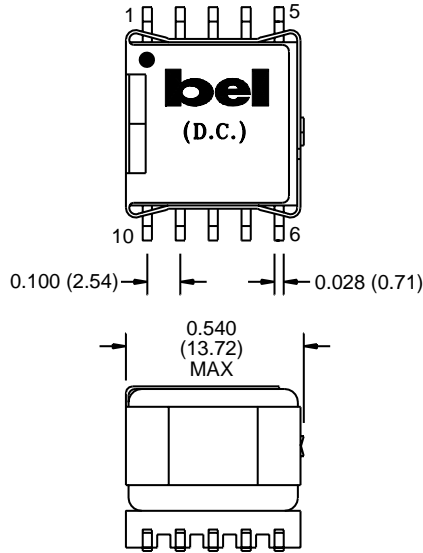
### SCHEMATIC

**S560-6600-F9**

**S560-6600-F7  
S560-6600-F8**


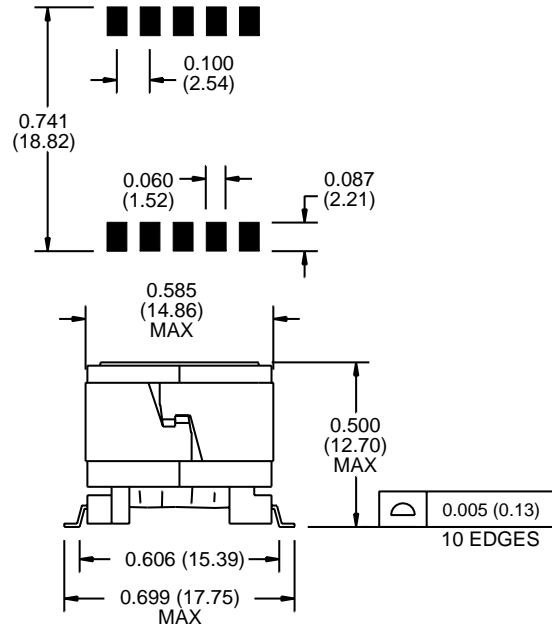
TM00327

### MECHANICAL

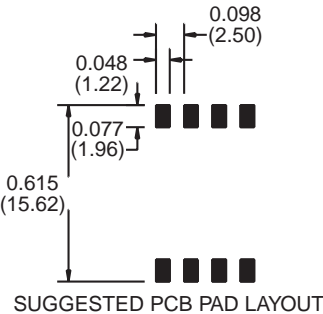
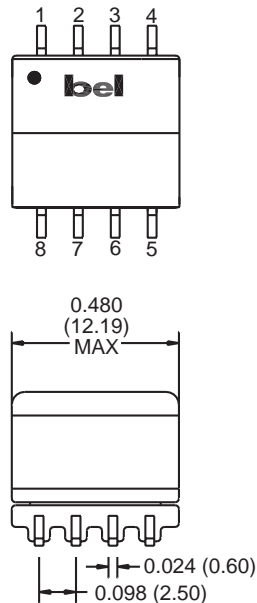
S560-6600-F7  
S560-6600-F8



### SUGGESTED PCB PAD LAYOUT



S560-6600-F9



©2000 Bel Fuse Inc. Specifications subject to change without notice. 10.00

### CORPORATE

**Bel Fuse Inc.**  
 198 Van Vorst Street  
 Jersey City, NJ 07302  
 Tel 201-432-0463  
 Fax 201-432-9542  
 www.belfuse.com

### FAR EAST

**Bel Fuse Ltd.**  
 8F / 8 Luk Hop Street  
 San Po Kong  
 Kowloon, Hong Kong  
 Tel 852-2328-5515  
 Fax 852-2352-3706  
 www.belfuse.com

### EUROPE

**Bel Fuse Europe Ltd.**  
 Preston Technology Management Centre  
 Marsh Lane, Suite G7, Preston  
 Lancashire, PR1 8UD, U.K.  
 Tel 44-1772-556601  
 Fax 44-1772-888366  
 www.belfuse.com