



SMA Male Right Angle to TNC Female Bulkhead Low Loss Cable 100 cm Length Using PE-P142LL Coax, RoHS

RF Cable Assemblies Technical Data Sheet

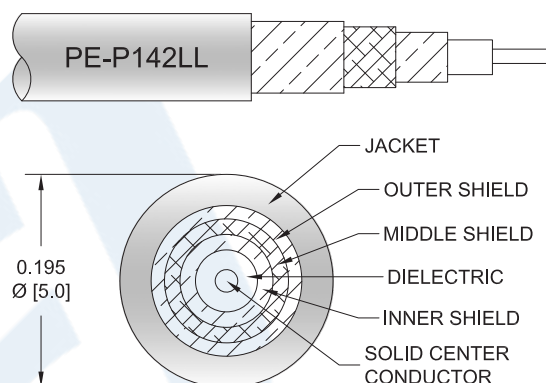
PE3C1173-100CM

Configuration

- Connector 1: SMA Male Right Angle
- Connector 2: TNC Female Bulkhead
- Cable Type: PE-P142LL

Features

- 83% Velocity of Propagation
- Shielding effectiveness > 95 dB
- Maximum VSWR < 1.45:1 to 18 GHz
- Minimum Bend Radius of 1 inch
- Operating Temperature range of -55 to +125°C
- ROHS and REACH Compliant
- Same day shipment of custom lengths
- 100% Continuity, Hi-Pot, and RF tested



Description

The PE3C1173 series high performance test cable's 0.195 inch diameter and 83% phase velocity offer very low loss performance up to 18 GHz. The durable stainless steel connectors and FEP jacket provide a cost effective design ideal for test environments where a rugged cable assembly is required. The series is offered with Type N, TNC, and SMA connectors all rated to 18 GHz. A heavy duty boot provides improved strain relief and adds to the durability of the cable assemblies. These cable assemblies are built using a double shielded flexible cable, providing excellent shielding effectiveness of greater than 95 dB. All PE3C1173 cable assemblies are 100% Continuity, Hi-POT, and RF tested to published specifications. Custom lengths are built to order and shipped same day.

Electrical Specifications

Description	Minimum	Typical	Maximum	Units
Frequency Range	DC		18	GHz
VSWR			1.45:1	
Return Loss	14.72			dB
Velocity of Propagation		83		%
RF Shielding	95			dB
Capacitance		25 [82.02]		pF/ft [pF/m]

Click the following link (or enter part number in "SEARCH" on website) to obtain additional part information including price, inventory and certifications: [SMA Male Right Angle to TNC Female Bulkhead Low Loss Cable 100 cm Length Using PE-P142LL Coax, RoHS PE3C1173-100CM](#)



SMA Male Right Angle to TNC Female Bulkhead Low Loss
Cable 100 cm Length Using PE-P142LL Coax, RoHS

RF Cable Assemblies Technical Data Sheet

PE3C1173-100CM

Specifications by Frequency

Description	F1	F2	F3	F4	F5	Units
Frequency	1	2	4.5	9	18	GHz
Insertion Loss (Max.)	0.74	0.86	1.06	1.34	1.7	dB
Insertion Loss (Typ.)	0.64	0.74	0.93	1.15	1.47	dB

Mechanical Specifications

Cable Assembly

Length	39.37 in [100 cm]
Diameter	0.63 in [16 mm]
Weight	0.308 lbs [139.71 g]

Cable

Cable Type	PE-P142LL
Impedance	50 Ohms
Inner Conductor Type	Solid
Inner Conductor Material and Plating	Copper, Silver
Dielectric Type	PTFE
Number of Shields	3
Shield Layer 1	Silver Plated Copper Tape
Shield Layer 2	Aluminum Polyester
Shield Layer 3	Silver Plated Copper Wire
Jacket Material	FEP, Green
Jacket Diameter	0.195 in [4.95 mm]
One Time Minimum Bend Radius	1 in [25.4 mm]

Click the following link (or enter part number in "SEARCH" on website) to obtain additional part information including price, inventory and certifications: [SMA Male Right Angle to TNC Female Bulkhead Low Loss Cable 100 cm Length Using PE-P142LL Coax, RoHS PE3C1173-100CM](#)





SMA Male Right Angle to TNC Female Bulkhead Low Loss
 Cable 100 cm Length Using PE-P142LL Coax, RoHS

RF Cable Assemblies Technical Data Sheet

PE3C1173-100CM

Connectors

Description	Connector 1	Connector 2
Type	SMA Male Right Angle	TNC Female Bulkhead
Specification	MIL-PRF-39012	MIL-STD-348
Impedance	50 Ohms	50 Ohms
Contact Material and Plating	Beryllium Copper, Gold	Beryllium Copper, Gold
Contact Plating Specification	ASTM-B488, 50µ In. Minimum	ASTM-B488, 50µ In. Minimum
Dielectric Type	PTFE	PEI
Outer Conductor Material and Plating	Passivated Stainless Steel	Passivated Stainless Steel
Outer Conductor Plating Specification	SAE-AMS-2700	SAE-AMS-2700
Coupling Nut Material and Plating	Passivated Stainless Steel	
Coupling Nut Plating Specification	SAE-AMS-2700	
Hex Size	5/16 Inch	
Torque	8 in-lbs [0.9 Nm]	
Body Material and Plating	Passivated Stainless Steel	Passivated Stainless Steel
Body Plating Specification	SAE-AMS-2700	SAE-AMS-2700

Environmental Specifications

Temperature

Operating Range -55 to +125 deg C

Compliance Certifications (visit www.Pasternack.com for current document)

RoHS Compliant Yes
 REACH Compliant 12/17/2015

Plotted and Other Data

Notes:

- Values at 25°C, sea level.

Click the following link (or enter part number in "SEARCH" on website) to obtain additional part information including price, inventory and certifications: [SMA Male Right Angle to TNC Female Bulkhead Low Loss Cable 100 cm Length Using PE-P142LL Coax, RoHS PE3C1173-100CM](#)





SMA Male Right Angle to TNC Female Bulkhead Low Loss Cable 100 cm Length Using PE-P142LL Coax, RoHS

RF Cable Assemblies Technical Data Sheet

PE3C1173-100CM

How to Order

Part Number Configuration:

PE3C1173

- xx

uu

Unit of Measure:

cm = Centimeters

<blank> = Inches

Length

Base Number

Example: PE3C1173-12 = 12 inches long cable
PE3C1173-100cm = 100 cm long cable

SMA Male Right Angle to TNC Female Bulkhead Low Loss Cable 100 cm Length Using PE-P142LL Coax, RoHS from Pasternack Enterprises has same day shipment for domestic and International orders. Our RF, microwave and millimeter wave products maintain a 99% availability and are part of the broadest selection in the industry.

Click the following link (or enter part number in "SEARCH" on website) to obtain additional part information including price, inventory and certifications: [SMA Male Right Angle to TNC Female Bulkhead Low Loss Cable 100 cm Length Using PE-P142LL Coax, RoHS PE3C1173-100CM](https://www.pasternack.com/sma-male-tnc-female-pe-p142ll-cable-assembly-pe3c1173-100cm-p.aspx)

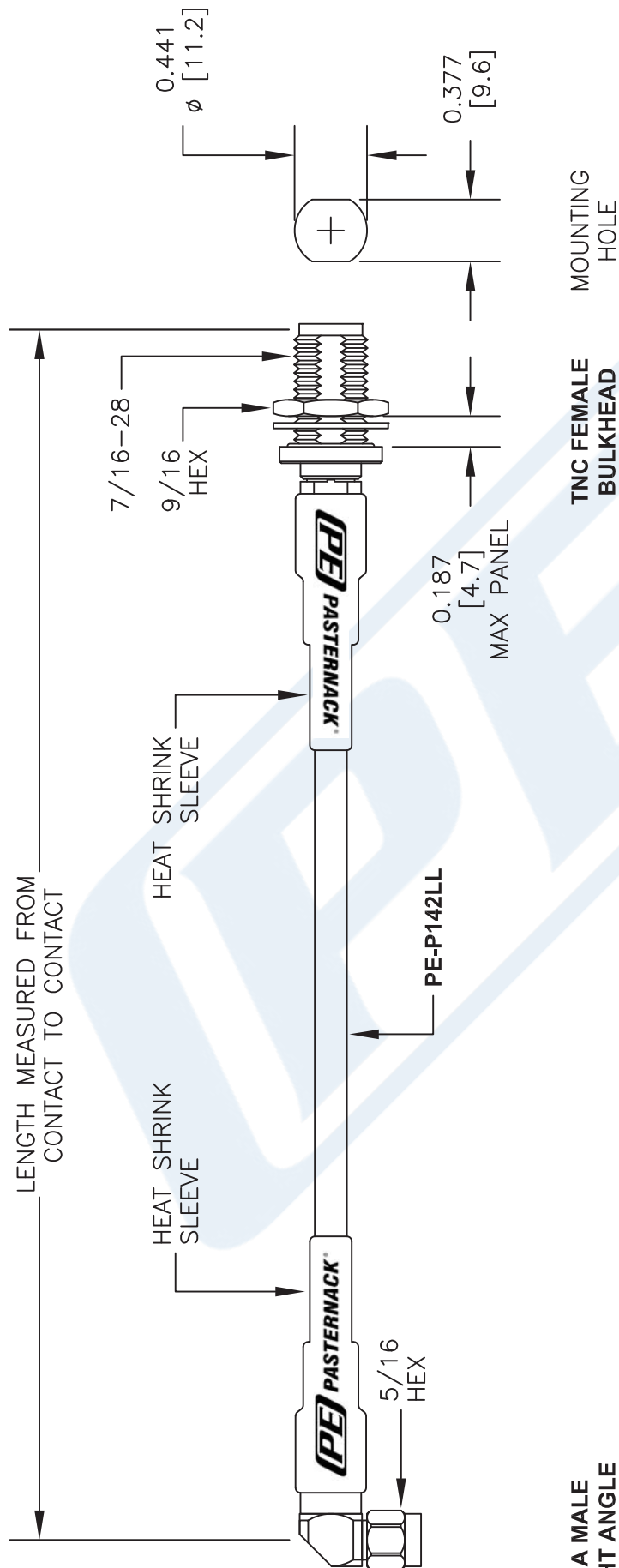
URL: <https://www.pasternack.com/sma-male-tnc-female-pe-p142ll-cable-assembly-pe3c1173-100cm-p.aspx>

The information contained in this document is accurate to the best of our knowledge and representative of the part described herein. It may be necessary to make modifications to the part and/or the documentation of the part, in order to implement improvements. Pasternack reserves the right to make such changes as required. Unless otherwise stated, all specifications are nominal. Pasternack does not make any representation or warranty regarding the suitability of the part described herein for any particular purpose, and Pasternack does not assume any liability arising out of the use of any part or documentation.

PE3C1173-100CM CAD Drawing

SMA Male Right Angle to TNC Female Bulkhead Low Loss

Cable 100 cm Length Using PE-P142LL Coax, RoHS



**SMA MALE
RIGHT ANGLE**

**TNC FEMALE
BULKHEAD**

**MOUNTING
HOLE**

How To Order		Part # Ext.	Length In Inches	Part # Ext.	Length In Centimeters
Part Number Configuration		-12	12"	-25CM	25Cm
PE3 [zzz] [yy] - [xx] [uu]	Examples	-24	24"	-50CM	50Cm
00 - 99999	PE3000LF-100	-36	36"	-75CM	75Cm
LF = RoHS Compliant	PE3000-100	-48	48"	-100CM	100Cm
< Blank > = Standard	PE3000LF-100CM	-60	60"	-125CM	125Cm
Note: LF applies only to RF cables	PE3000-100CM	-XX	Custom Length	-XXCM	Custom Length

NOTES:
 1. UNLESS OTHERWISE SPECIFIED ALL DIMENSIONS ARE NOMINAL.
 2. ALL SPECIFICATIONS ARE SUBJECT TO CHANGE WITHOUT NOTICE AT ANY TIME.
 3. DIMENSIONS ARE IN INCHES (mm).
 4. LENGTH TOLERANCE IS ± 1.5% OR 3/8", WHICHEVER IS GREATER.

DWG TITLE
PE3C1173

PE PASTERNAK®
 THE ENGINEER'S RF SOURCE
 Pasternack Enterprises, Inc.
 P.O. Box 16759 | Irvine | CA | 92623
Phone: (949) 261-1920 | **Fax:** (949) 261-7451
Website: www.pasternack.com | **E-Mail:** sales@pasternack.com

CAD FILE 082214 SCALE N/A SIZE A 2233

FSCM NO. 53919

FSCM NO. 53919