



LEOPARD IMAGING INC

Rev. 1.1

LI-OV580-OV7251ST

Data Sheet

Key Features

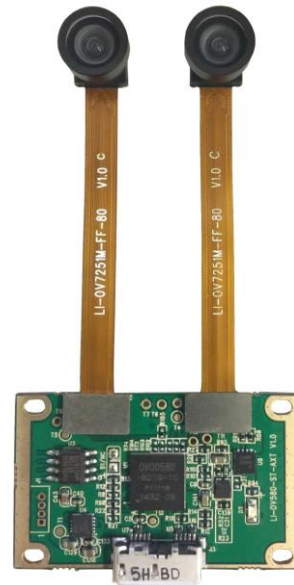
- USB 3.0 Super Speed support
- 8-bit RAW output without compression
- UVC compliance
- USB 2.0 backwards compatible
- Dual Camera
- Adjustable two cameras distance
- Provide customization services
- USB +5VDC powered device
- CMOS VGA image sensor
- 3 Parts: 1 OV580 and 2 OV7251
- Part#: **LI-OV580-OV7251ST**

Interface

- Part#: AXT524124 (on OV580)
- Number of Positions: 24
- Pitch: 0.016" (0.40mm)
- Number of Rows: 2

SDK Supported

- Camera Tool Source Code in C#
- Capture & Display



OV7251 module Spec

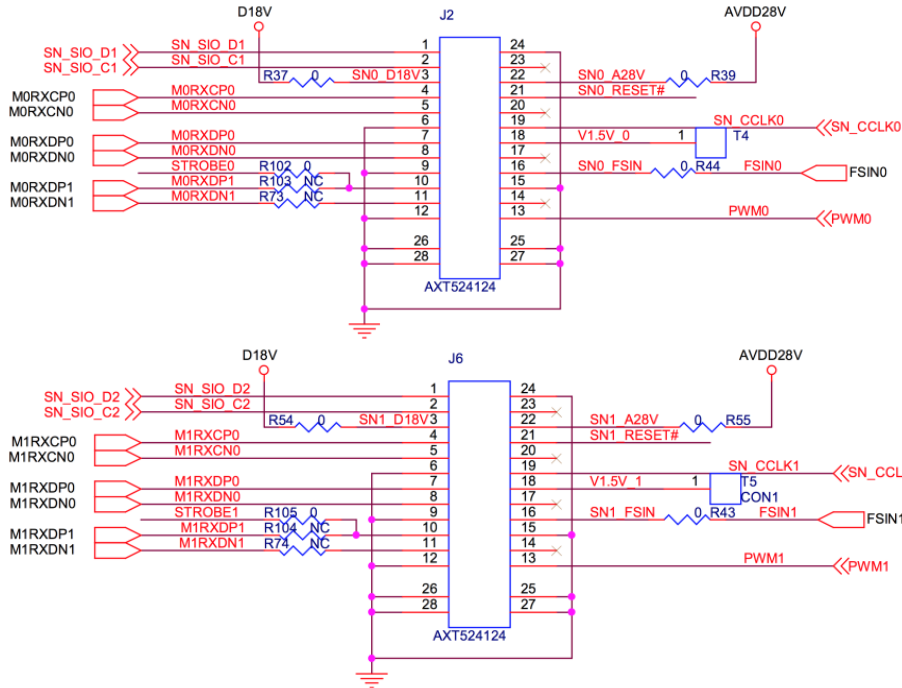
- Part#: LI-OV7251M-FF-80
- Resolution: 640 x 480
- Sensor size: 1/7.5"
- Mono sensor
- Global shutter
- MIPI Interface
- Connector: AXT624124
- Focusing range: 60cm ~ Infinity
- Focal Length: 1.3 mm
- Aperture, F/#: 2.8
- FOV (H): 80 °
- TV Distortion: < -25%



Leopard Imaging Inc.

1130 Cadillac Ct., Milpitas, CA 95035, USA
Phone: +1-408-263-0988
Fax: +1-408-217-1960
Email: sales@leopardimaging.com
Website: www.leopardimaging.com
www.leopard-security.com

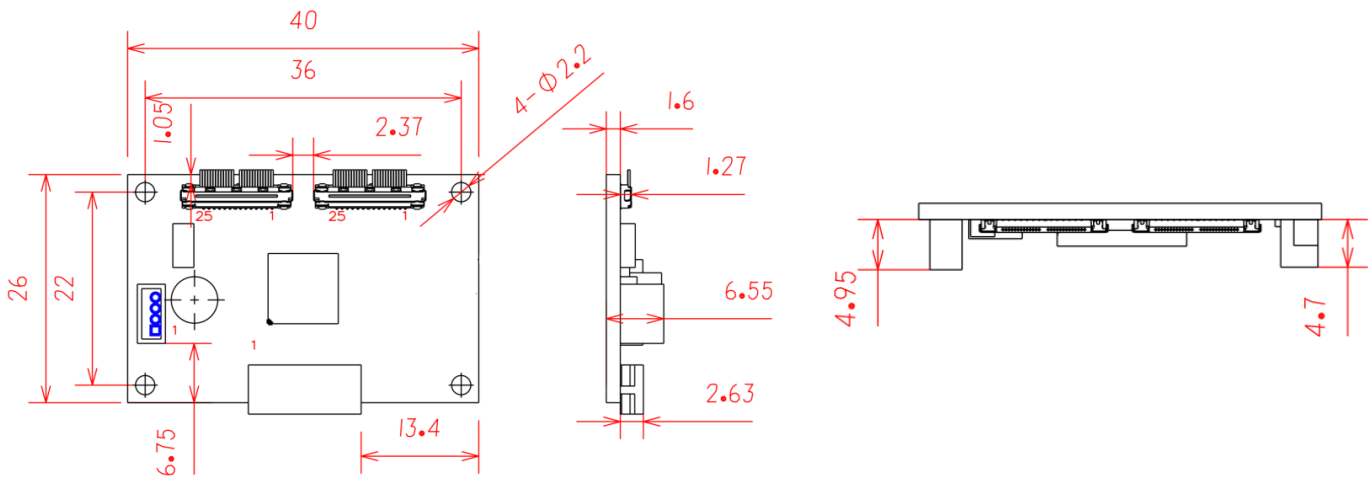
Pin Assignment (OV580)



Pin Assignment (OV7251)

No.	Name	No.	Name	No.	Name	No.	Name
1	SDA	7	MDP	13	PWM	19	XCLK
2	SCL	8	MDN	14	NC	20	NC
3	DOVDD1.8V	9	GND	15	GND	21	RESET
4	MCP	10	STROBE	16	FSIN	22	AVDD2.8V
5	MCN	11	ULPM	17	NC	23	NC
6	GND	12	GND	18	DVDD1.5V	24	GND

Dimensions (OV580)



Leopard Imaging Inc.

1130 Cadillac Ct., Milpitas, CA 95035, USA
 Phone: +1-408-263-0988
 Fax: +1-408-217-1960
 Email: sales@leopardimaging.com
 Website: www.leopardimaging.com
 www.leopard-security.com

General Behavior		
Video Resolution @ Frame rate	640 x 480 @ 100 fps 640 x 480 @ 60 fps	
Sensitivity	7190 mV/ (uW.cm-2 .sec) @ 850nm 2800 mV/ Lux-sec @ 530nm	
Interface (Optical)		
IR cut filter	No	
Sensor specification	OmniVision mono VGA image sensor OV7251	
Shutter	Global	
Format	1/7.5"	
Resolution	H:640, V:480	
Pixel size	H: 3 um, V: 3 um	
Interface (Electrical)		
Interface	USB 3.0	
Supply voltage	USB 3.0 +5 VDC power source	
Current consumption	Approx. 247mA at 5 VDC	
Interface (Mechanical)		
Dimensions	OV580	L: 40 mm, W: 26 mm, H: 6.55 mm
	OV7251	L: 61 mm, W: 8 mm, H: 10.9 mm
Weight (with lens)	6 g	
Environmental		
Max. temperature (operation)	-30 °C ~ 70 °C (-22 °F~ 158 °F)	
Max. temperature (storage)	0 °C ~ 50 °C (32 °F~ 122 °F)	
Max. humidity (operation)	20 % ~ 80 %, relative, non-condensing	
Max. humidity (storage)	20 % ~ 80 %, relative, non-condensing	



Leopard Imaging Inc.

1130 Cadillac Ct., Milpitas, CA 95035, USA
Phone: +1-408-263-0988
Fax: +1-408-217-1960
Email: sales@leopardimaging.com
Website: www.leopardimaging

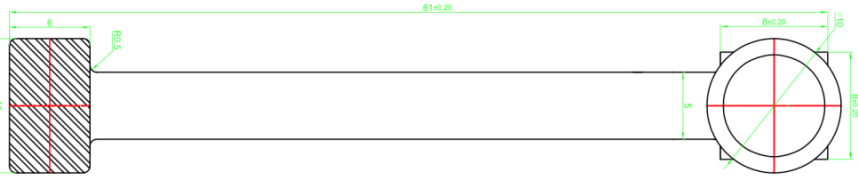
ROHS

Autodesk 教育版产品制作
LI-OV7251M-FF-80

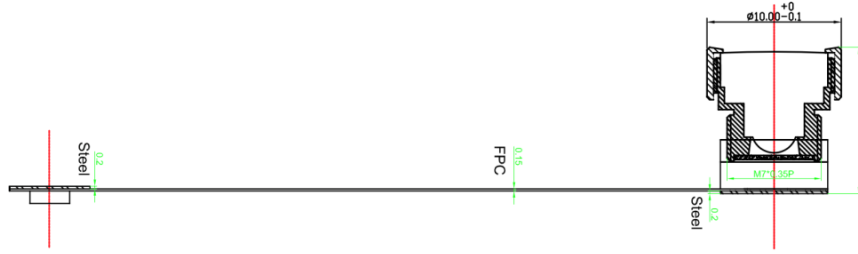
QR-RD-F002 Rev-A

advert:
 basic tolerance: ±0.1mm
 label have ""'s emphasis dimension

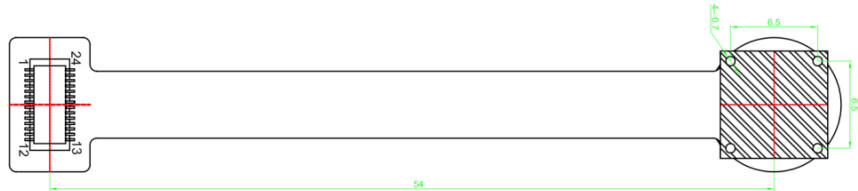
Optical Lens Specification:
 Focusing Range 60cm ~ Infinity
 Focal Length 1.3mm
 F Number 2.8
 Fov(H) 80°
 TV Distortion <-25%



TOP VIEW



SIDE VIEW



BOTTOM VIEW

NO.	SYMBOL
1	SDA
2	SCL
3	DOV0D1.8V
4	MCP
5	MCN
6	GND
7	MDP
8	MDN
9	GND
10	STROBE
11	ULPM
12	GND
13	PWM
14	NC
15	GND
16	FSIN
17	NC
18	DVD01.5V
19	XCLK
20	NC
21	RESET
22	AND02.8V
23	NC
24	GND

NO.	ITEM	Q'TY	DESCRIPTION
1	Steel	2	
2	FPC	1	
3	TAKING LENS	1	
4	Sensor	1	OV7251 CSP
5	Connector	1	AXT624124

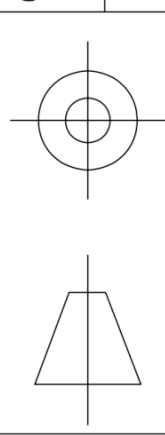
Reinforcement: 10F1 Version: 1.0

Proportion: 1:1 Unit: MM

Leopard Imaging Inc.

NO	Change item	Version	Date
	Original	V1.0	2015-11-17

Draft:	Date:	Project Name:
Check:	Date:	LI-OV7251M-FF-80
Approval:	Date:	



Note:# Image direction register use default settings.
 Output format: Mono RAW No Filter

Autodesk



Leopard Imaging Inc.

1130 Cadillac Ct., Milpitas, CA 95035, USA
 Phone: +1-408-263-0988
 Fax: +1-408-217-1960
 Email: sales@leopardimaging.com
 Website: www.leopardimaging.com