

Terminal box - FB1-S1-6SP-S-0-10-00-0-0 - 2316446

Please be informed that the data shown in this PDF Document is generated from our Online Catalog. Please find the complete data in the user's documentation. Our General Terms of Use for Downloads are valid (<http://phoenixcontact.com/download>)



Stainless steel field junction box with ten ports for use in hazardous locations. Includes six-spur block device coupler (FB-6SP) for Foundation Fieldbus or PROFIBUS PA, Trunk cable (+, -, S) is connected to a Plugtrab surge base (PT 4+F-BE)

Product Description


FF/PA - Six-spur block junction box

Why buy this product

- Connect up to six Foundation Fieldbus or PROFIBUS PA field devices
- Terminator preinstalled
- Provides current limiting short-circuit protection per spur
- Single-sided plug configuration eliminates cable bend radius issues



Key Commercial Data

Packing unit	1 pc
GTIN	 4 055626 590561
GTIN	4055626590561

Technical data

Dimensions

Width	254 mm
Height	254 mm
Depth	127 mm

Ambient conditions

Ambient temperature (operation)	-40 °C ... 70 °C
Ambient temperature (storage/transport)	-40 °C ... 70 °C
Degree of protection	IP66

General

Standards/regulations	EN 61326-1
-----------------------	------------

Terminal box - FB1-S1-6SP-S-0-10-00-0-0 - 2316446

Technical data

General

	EN 60079-0
	EN 60079-11
	EN 60079-15
Net weight	0 g
Housing material	Stainless steel
Color	gray
Conformance	CE-compliant, additionally EN 61326-1

Power supply

Max. current consumption	4.8 mA (No-load)
	340 mA (trunk)

Serial interface

Inductance L_i	4 μ H
Max. output voltage U_o	U_{in} (spur)

Safety data

Input voltage U_i	32 V (IIB (C/D))
Max. output voltage U_o	U_{in} (spur)
Max. output current I_o	56 mA (spur)
Max. output power P_o	1.792 W
Group	IIC/IIB
Max. external capacity C_o	80 nF
Additional text	spur
Group	IIC/IIB
Max. external inductivity L_o	0.26 mH
Additional text	per spur
ATEX	DEMKO 16ATEX1704X II 3 G D Ex nA [ic] IIC T4 Gc, Ex nA nC [ic] IIC T4 Gc Ex ic IIC T4 Gc, FISCO ic spurs Ex tc IIIC T135 Dc IP66
IECEX	IECEX UL 16.0079X Ex nA [ic] IIC T4 Gc, Ex nA nC [ic] IIC T4 Gc Ex ic IIC T4 Gc, FISCO ic spurs Ex tc IIIC T135 Dc IP66
Safety-related maximum voltage U_m	17.5 V (in acc. with EN 60079-11)

Standards and Regulations

Standards/regulations	EN 61326-1
	EN 60079-0
	EN 60079-11
	EN 60079-15
Conformance	CE-compliant, additionally EN 61326-1
Group	IIC/IIB
	IIC/IIB

Terminal box - FB1-S1-6SP-S-0-10-00-0-0 - 2316446

Technical data

Standards and Regulations

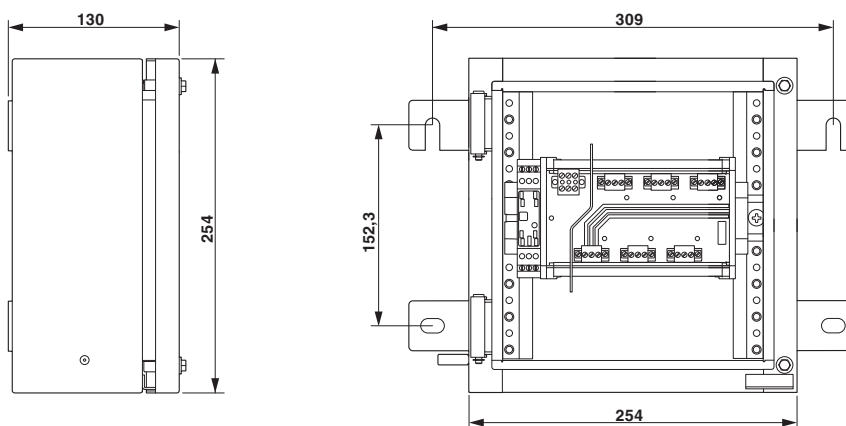
ATEX	DEMKO 16ATEX1704X II 3 G D Ex nA [ic] IIC T4 Gc, Ex nA nC [ic] IIC T4 Gc Ex ic IIC T4 Gc, FISCO ic spurs Ex tc IIIC T135 Dc IP66
IECEX	IECEX UL 16.0079X Ex nA [ic] IIC T4 Gc, Ex nA nC [ic] IIC T4 Gc Ex ic IIC T4 Gc, FISCO ic spurs Ex tc IIIC T135 Dc IP66
UL, USA/Canada	Class I, Zone 2, AEx nA [ic] IIC T4 Gc, AEx nA nC [ic] IIC T4 Gc Entity/ FISCO spurs Class I, Div. 2, Groups A, B, C, D, T4 Class I, Zone 22, AEx tc IIIC T135 Dc IP66

Environmental Product Compliance

REACH SVHC	Lead 7439-92-1
------------	----------------

Drawings

Dimensional drawing



Phoenix Contact 2018 © - all rights reserved
<http://www.phoenixcontact.com>

PHOENIX CONTACT GmbH & Co. KG
 Flachsmarktstr. 8
 32825 Blomberg
 Germany
 Tel. +49 5235 300
 Fax +49 5235 3 41200
<http://www.phoenixcontact.com>