

850 nm VCSEL

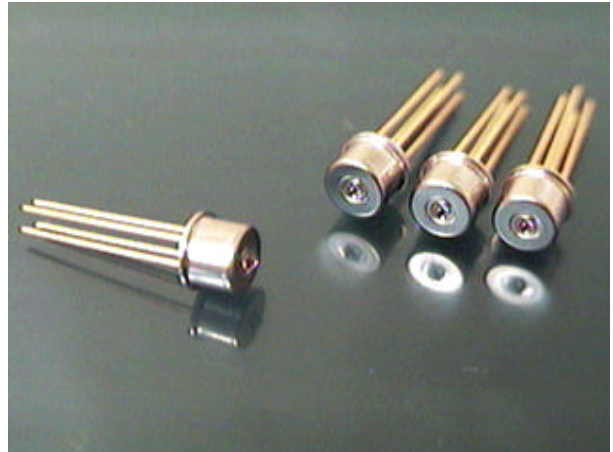
Features

- High speed \approx 1 GHz.
- Photodiode for monitoring laser output.
- TO-46 hermetic packaging with a lens cap.
- Common cathode pin-out.

Preliminary

Applications

- Optical communication system
 - Gigabit Ethernet
 - Fiber Channels
 - ATM transceiver modules



Handling and Safety Precautions

Anti-static protection, such as ionized air blowers or grounded wrist straps with a 1 mega series resistor, should be used at all times when handling laser diode. In addition, soldering irons should be well grounded.

Overheating caused by soldering of the leads of a laser diode must be prevented. Recommend soldering iron temperature and maximum exposure time are below 260 °C and 10 seconds.

Description

The MCE-8V4C-302 is a high performance, near infrared 850 nm Vertical Cavity Surface Emitting Laser (VCSEL) that offers high coupling powers in fiber optic transmission applications. This product is designed to meet the needs of high speed data communications and other applications.

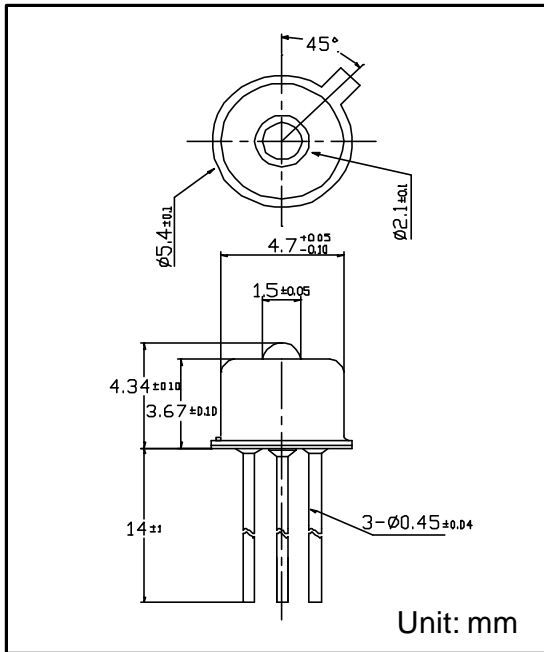
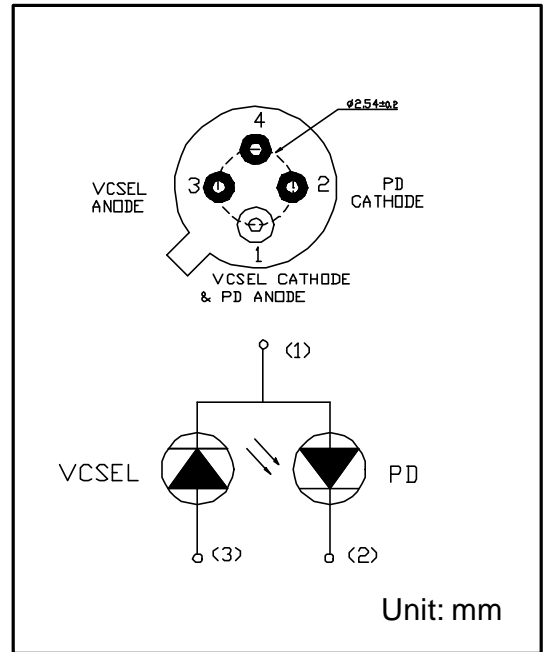
The MCE-8V4C-302 is compatible with industry standard wave or hand solder processes.

Preliminary
Absolute Maximum Ratings (Tc = 25°C)

Parameter	Symbol	Rated Value	Unit
LD reverse voltage	V _{rL}	5	V
PD reverse voltage	V _{rP}	20	V
PD Forward current	I _{fP}	10	mA
Operating case temperature	T _{op}	0 to +85	°C
Storage temperature	T _{STG}	- 40 to +100	°C

Optical & Electrical Characteristics (Tc = 25°C)

Parameter	Symbol	Test Conditions	Min.	Typ.	Max.	Unit
Optical output power	P _o	I _{th} +6 mA	500	¾	2000	iW
Threshold current	I _{th}		1	¾	3	mA
Operating voltage	V _{op}	I _{th} +6 mA	¾	2.0	2.2	V
Differential Resistance	R _s	I _{th} to I _{th} +6 mA	¾	40	55	ohm
Lasing Wavelength	λ _p	@2 mW	830	845	860	nm
Beam divergence	q	Full width, 1/e ²	¾	¾	30	deg.
Rise /Fall time	tr/tf	I _{bias} =I _{th} , 20~80 %	¾	100/120	¾	ps
Slope efficiency	h	I _{th} to I _{th} +6 mA	0.05	¾	¾	mW/mA
PD Monitor current	I _m	P _o =2mW	50	¾	400	iA
PD Dark Current	I _D	V _{rP} =20V	¾	¾	10	nA
PD Capacitance	C _t	V _{rP} =5V, f=1 MHz	¾	¾	2	pF


Package Dimensions

Pin Connections (Bottom View)

NOTE: Specifications are subjected to change without notice.

Unity Opto Technology Co., Ltd.

10 F, No. 88-8, Sec. 1, Kuang-Fu Rd.,
Sanchung City, 241 Taipei, Taiwan

For prototype and Production call

TEL: 886 - 2 - 29993988
FAX: 886 - 2 - 29993910
REV. A 1 3/4/2003