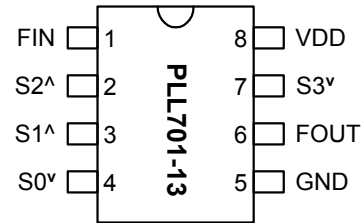


Low EMI Spread Spectrum Multiplier Clock

FEATURES

- Spread Spectrum Clock Generator with selectable multiplier (1x, 2x and 4x).
- Output frequency ranges: 24MHz to 240MHz.
- Selectable Down Spread Modulation.
- TTL/CMOS compatible outputs.
- 3.3V Operating Voltage.
- Low short-term jitter.
- Available in 8-Pin 150mil SOIC.

PIN CONFIGURATION



FIN = 24 ~ 120 Mhz

Note: v: 30kΩ Internal Pull down ^: 30kΩ Internal Pull up.

DESCRIPTION

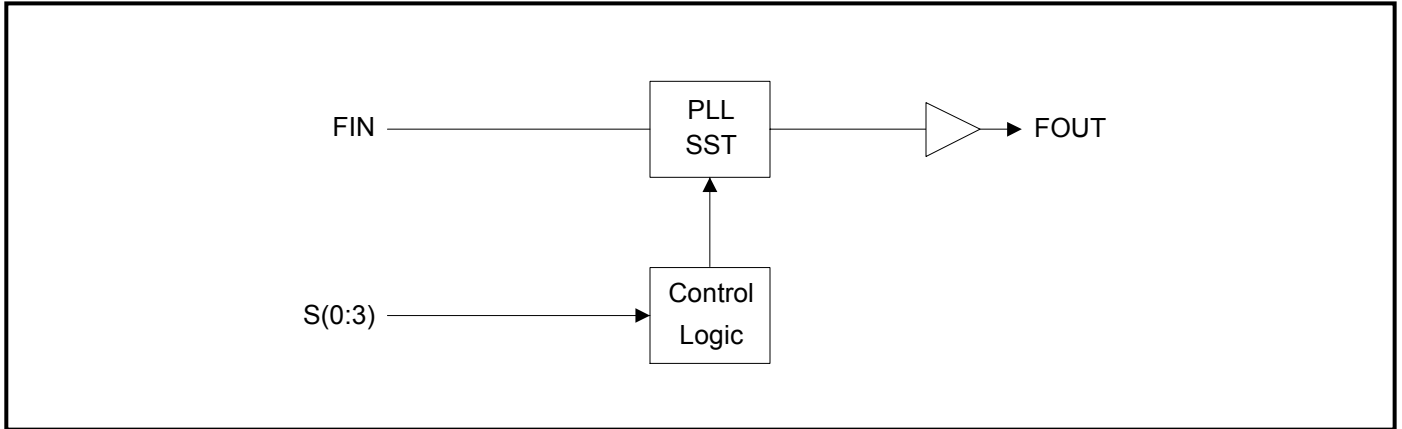
The PLL701-13 is a Spread Spectrum Clock Generator designed for the purpose of reducing EMI in high-speed digital systems. The selectable Down Spread modulation magnitude (see table below) permits EMI reduction without over-clocking the output. The device operates over a very wide range of input frequencies and provides 1x to 4x modulated clock outputs.

OUTPUT CLOCK (FOUT) SELECTION

S3	S2	S1	S0	FIN Range (MHz)	FOUT	Spread Spectrum Modulation	
						Frequency	Magnitude
0	0	0	0	24 - 60	X1	Fin / 1024	-1.5%
0	0	0	1	24 - 60	X1		-2.0%
0	0	1	0	24 - 60	X1		-2.5%
0	0	1	1	24 - 60	X1		-3.0%
0	1	0	0	24 - 60	X2		-0.5%
0	1	0	1	24 - 60	X2		-1.0%
0	1	1	0	24 - 60	X2		-1.5%
0	1	1	1	24 - 60	X2		-2.0%
1	0	0	0	24 - 60	X2		-2.5%
1	0	0	1	24 - 60	X2		-3.0%
1	0	1	0	24 - 60	X4		-0.5%
1	0	1	1	24 - 60	X4		-1.0%
1	1	0	0	60 - 120	X1		-0.5%
1	1	0	1	60 - 120	X1		-1.0%
1	1	1	0	60 - 120	X1		-1.5%
1	1	1	1	60 - 120	X1		-2.0%

Low EMI Spread Spectrum Multiplier Clock

BLOCK DIAGRAM



PIN DESCRIPTIONS

Name	Number	Type	Description
FIN	1	I	Input Clock Frequency, 24MHz to 120MHz.
S2	2	I	Digital control input to select multiplication factor and SST modulation amplitude. Has internal pull-up.
S1	3	I	Digital control input to select multiplication factor and SST modulation amplitude. Has internal pull-up.
S0	4	I	Digital control input to select multiplication factor and SST modulation amplitude. Has internal pull-down.
GND	5	P	Ground.
FOUT	6	O	SST Modulated Clock Frequency Output. The frequency before modulation is synthesized by multiplying the input frequency by 1X, 2X, or 4X, depending on S(0:3).
S3	7	I	Digital control input to select multiplication factor and SST modulation amplitude. Has internal pull-down.
VDD	8	P	3.3V Power Supply.

Low EMI Spread Spectrum Multiplier Clock

ELECTRICAL SPECIFICATIONS

1. Absolute Maximum Ratings

PARAMETERS	SYMBOL	MIN.	MAX.	UNITS
Supply Voltage	V_{DD}		4.6	V
Input Voltage, dc	V_I	-0.5	$V_{DD}+0.5$	V
Output Voltage, dc	V_O	-0.5	$V_{DD}+0.5$	V
Storage Temperature	T_S	-65	150	°C
Ambient Operating Temperature*	T_A	-40	85	°C
Junction Temperature	T_J		125	°C
Lead Temperature (soldering, 10s)			260	°C
ESD Protection, Human Body Model			2	kV

Exposure of the device under conditions beyond the limits specified by Maximum Ratings for extended periods may cause permanent damage to the device and affect product reliability. These conditions represent a stress rating only, and functional operations of the device at these or any other conditions above the operational limits noted in this specification is not implied.

* **Note:** Operating Temperature is guaranteed by design for all parts (COMMERCIAL and INDUSTRIAL), but tested for COMMERCIAL grade only.

2. DC/AC Specifications

PARAMETERS	SYMBOL	CONDITIONS	MIN.	TYP.	MAX.	UNITS
Supply Voltage	V_{DD}		2.97		3.63	V
Input High Voltage	V_{IH}		$0.7* V_{DD}$			V
Input Low Voltage	V_{IL}				$0.3* V_{DD}$	V
Input High Current	I_{IH}				100	μA
Input Low Current	I_{IL}				100	μA
Output High Voltage	V_{OH}	$I_{OH}=5mA, V_{DD}=3.3V$	2.4			
Output Low Voltage	V_{OL}	$I_{OL}=6mA, V_{DD}=3.3V$			0.4	
Input Frequency	F_{IN}		24		120	MHz
Maximum interruption of F_{IN}					none	μs
Input Capacitance	C_{in1}			4		pF
Pull-up Resistor	R_{pu}	PIN 2, 3		30		$k\Omega$
Pull-down Resistor	R_{pd}	PIN 4, 7		30		$k\Omega$
Short Circuit Current	I_{sc}			50		mA
3.3V Dynamic Supply Current	I_{CC}	No Load		20		mA

Low EMI Spread Spectrum Multiplier Clock

3. TIMING CHARACTERISTICS

PARAMETERS	SYMBOL	CONDITIONS	MIN.	TYP.	MAX.	UNITS
Rise Time	Tr	Measured at 0.8V ~ 2.0V @ 3.3V	0.8	0.95	1.1	ns
Fall Time	Tf	Measured at 2.0V ~ 0.8V @ 3.3V	0.78	0.85	0.9	ns
Output Duty Cycle	DT		45	50	55	%
Input to Output Delay			2		4	ns
Cycle to Cycle Jitter	Tcyc-cyc	Over output frequency range @ 3.3V			100	ps

FUNCTIONAL DESCRIPTION

Selectable spread spectrum and modulation rates

The PLL701-13 provides selectable multiplication factor, as well as selectable modulation rate. Selection is made by connecting pins 2 (S2), 3 (S1), 4 (S0), and 7 (S3) to a logical “zero” or “one”, according to the output clock selection table on page 1.

Default values for S(0:3) through internal pull-up and pull-down resistor

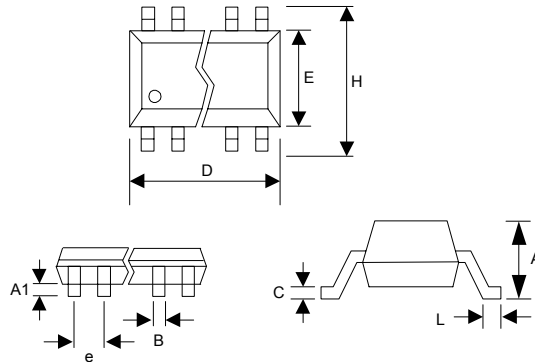
Selection pins S0 and S3 have an internal pull-down resistor of 30kΩ, pins 2 and 3 (S1 and S2) have an internal pull-up resistor of 30kΩ. This internal pull-down (or pull-up) resistor will pull the input value to a logical “zero” (or “one” respectively) by default, i.e. when the pin is not connected to GND (VDD respectively). In order to override the internal pull-up (pull-down), the pin has to be connected to VDD (GND respectively).

Low EMI Spread Spectrum Multiplier Clock

PACKAGE INFORMATION

8 PIN Narrow SOIC (mm)

Symbol	SOIC	
	Min.	Max.
A	1.47	1.73
A1	0.10	0.25
B	0.33	0.51
C	0.19	0.25
D	4.80	4.95
E	3.80	4.00
H	5.80	6.20
L	0.38	1.27
e	1.27 BSC	



ORDERING INFORMATION

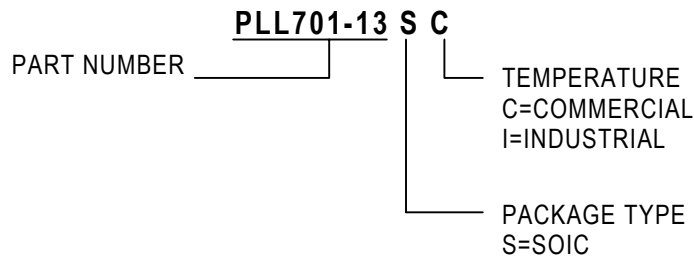
For part ordering, please contact our Sales Department:

47745 Fremont Blvd., Fremont, CA 94538, USA

Tel: (510) 492-0990 Fax: (510) 492-0991

PART NUMBER

The order number for this device is a combination of the following:
Device number, Package type and Operating temperature range



Order Number	Marking	Package Option
PLL701-13SC-R	P701-13SC	SOIC -Tape and Reel
PLL701-13SC	P701-13SC	SOIC -Tube

PhaseLink Corporation, reserves the right to make changes in its products or specifications, or both at any time without notice. The information furnished by Phaselink is believed to be accurate and reliable. However, PhaseLink makes no guarantee or warranty concerning the accuracy of said information and shall not be responsible for any loss or damage of whatever nature resulting from the use of, or reliance upon this product.

LIFE SUPPORT POLICY: PhaseLink's products are not authorized for use as critical components in life support devices or systems without the express written approval of the President of PhaseLink Corporation.