

**PLEASE CHECK WWW.MOLEX.COM FOR LATEST PART INFORMATION**

**Part Number:** **0524181590**  
**Status:** **Active**  
**Description:** 2.00mm (.079") Pitch Board-to-Board Receptacle, Right Angle, Single Row, Friction Lock, 15 Circuits, Tube Package

**Documents:**

[3D Model](#)  
[Drawing \(PDF\)](#)  
[Product Specification PS-52418-002 \(PDF\)](#)  
[Product Specification PS-52418-003 \(PDF\)](#)  
[RoHS Certificate of Compliance \(PDF\)](#)

**General**

Product Family PCB Receptacles  
Series 52418  
Application Board-to-Board  
Product Name N/A

**Physical**

Circuits (Loaded) 15  
Color - Resin Natural  
Durability (mating cycles max) 30  
Glow-Wire Compliant No  
Lock to Mating Part Yes  
Material - Metal Phosphor Bronze  
Material - Plating Mating Tin  
Material - Plating Termination Tin  
Material - Resin Polyester  
Number of Rows 1  
Orientation Right Angle  
PCB Locator No  
PCB Retention Yes  
PCB Thickness Recommended (in) 0.062 In  
PCB Thickness Recommended (mm) 1.60 mm  
Packaging Type Tube  
Pitch - Mating Interface (in) 0.079 In  
Pitch - Mating Interface (mm) 2.00 mm  
Plating min: Mating (µin) 36  
Plating min: Mating (µm) 0.90  
Plating min: Termination (µin) 36  
Plating min: Termination (µm) 0.90  
Polarized to PCB No  
Surface Mount Compatible (SMC) No  
Temperature Range - Operating -40°C to +105°C  
Termination Interface: Style Through Hole - Kinked Pin

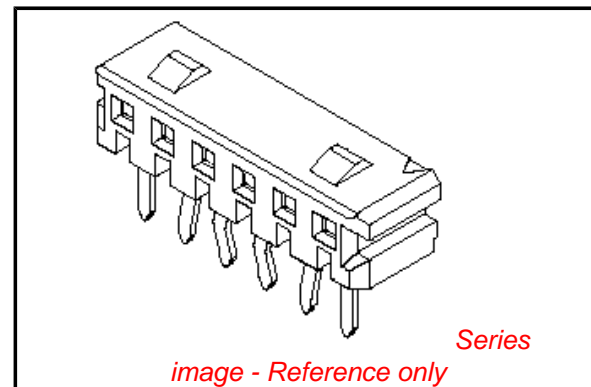
**Electrical**

Current - Maximum per Contact 1.5A  
Voltage - Maximum 125V

**Material Info**

**Reference - Drawing Numbers**

Product Specification PS-52418-002, PS-52418-003, RPS-52418-001, RPS-52418-004  
Sales Drawing SD-52418-\*\*90



**EU RoHS**

**ELV and RoHS Compliant**  
**REACH SVHC Contains SVHC: No**  
**Halogen-Free Status**

**China RoHS**



**Need more information on product environmental compliance?**

Email [productcompliance@molex.com](mailto:productcompliance@molex.com)  
For a multiple part number RoHS Certificate of Compliance, [click here](#)

Please visit the [Contact Us](#) section for any non-product compliance questions.

**Search Parts in this Series**

[52418Series](#)

**Mates With**

[53290](#)

This document was generated on 04/16/2010

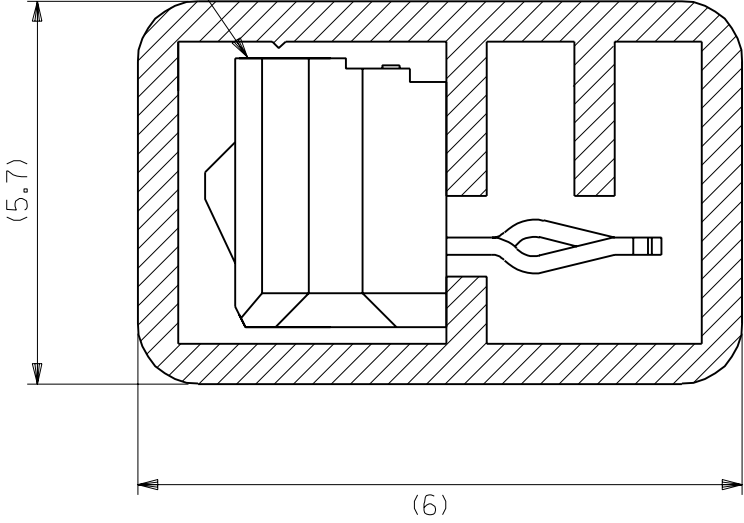
**PLEASE CHECK [WWW.MOLEX.COM](http://WWW.MOLEX.COM) FOR LATEST PART INFORMATION**

ENG. NO  
SD-52418-\*\*-90

EDP NO.

MM : DIMENSIONS IN METRIC DO NOT SCALE DRAWING

REV



52418-\*\*-10

スティック  
STICK

13	52418-2090	20
14	- 1990	19
15	- 1890	18
15	- 1790	17
16	- 1690	16
17	- 1590	15
19	- 1490	14
20	- 1390	13
22	- 1290	12
24	- 1190	11
26	- 1090	10
28	- 0990	9
32	- 0890	8
36	- 0790	7
41	- 0690	6
49	- 0590	5
59	- 0490	4
75	52418-0390	3
梱包数 QUANTITY	ENG.NO.	極数 CKT.

注 記 NOTES

1. スティック両端はキャップ止め。  
BOTH ENDS WITH CAPS.
2. 全長 : 600<sup>+2</sup>  
LENGTH: 600<sup>+2</sup>
3. 肉厚 : 0.6  
THICKNESS: 0.6

角度	ANGLE	±3°
以上	OVER	±0.3
10以上	OVER	未満 ±0.25
10以下	UNDER	未満 ±0.2
一般公差	GENERAL TOLERANCES	

材料 MATERIAL	スティック : ポリ塩化ビニル STICK : PVC		
仕上げ FINISH	— # —		
適用電線範囲 WIRE RANGE	— # —		
被覆外径 INS. RANGE	— # —		
DRAWN BY	'90/7/11	CHK'D BY	'93/9/23
S.AIHARA		T.IITO	
APP'D BY	'93/9/23	尺 M.FUKUSHIMA	SCALE — # —
日付 DATE	DR	CHK.	DATE
変更内容 REVISION RECORD			
変更 REVISED	(J30969)	T.I	'93/9/23
新規作成 RELEASED	(J000558)	S.A	
REV	A	ENG. NO.	SD-52418-**-90
TITLE	名称 : STICK PACKAGING FOR 52418-**-10		

**molex** MOLEX-JAPAN CO.,LTD.  
日本モレックス株式会社

EDP. NO.

ENG. NO.  
SD-52418-\*\*-90

TITLE 名称 :  
STICK PACKAGING  
FOR 52418-\*\*-10

REVISION RECORD

THIS DRAWING CONTAINS INFORMATION THAT IS PROPRIETARY TO MOLEX(JAPAN) AND SHOULD NOT BE USED WITHOUT WRITTEN PERMISSION  
本図面は日本モレックス(株)の所有する情報を含むもので当社の許可なく複製を禁止する。

EN-0 (018) MXJ-7

524185/05