

FJH SERIES

(0.50 mm) .0197"

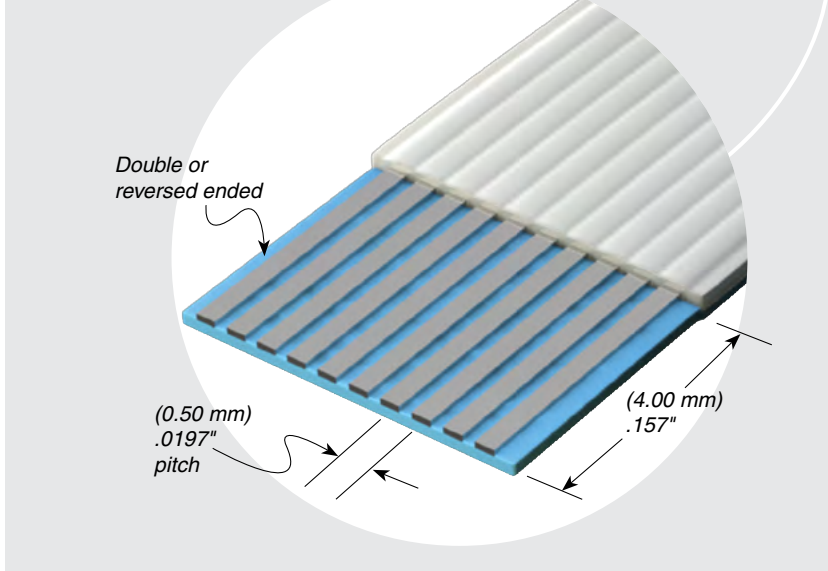
FLAT FLEXIBLE CABLE (FFC) JUMPER

SPECIFICATIONS

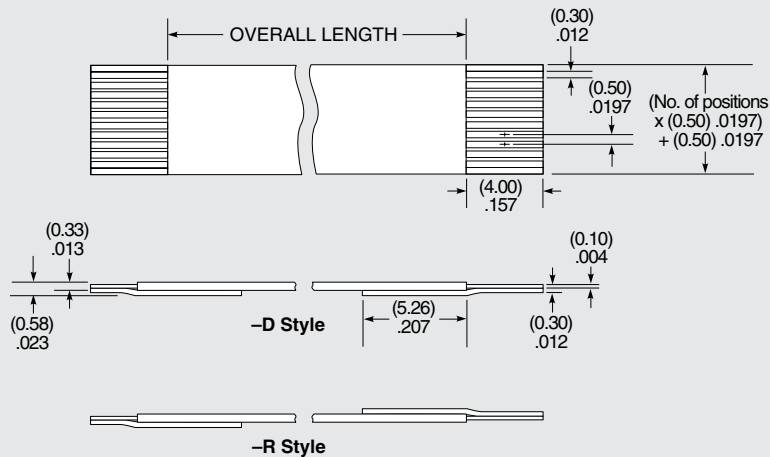
For complete specifications see www.samtec.com/FJH

- Conductor:** Tin Plated Copper
- Conductor Resistance:** 1000 Ω/km max
- Insulation Resistance:** 10 MΩ/km min (conductor-to-conductor)
- Dielectric Test:** 400 VAC during 1 minute (conductor-to-conductor)
- Temperature Rating:** -30 °C to +80 °C
- Voltage Rating:** 60 VAC
- Flame Resistance:** VW-1 (UL 758)
- RoHS Compliant:** Yes

Mates with:
ZF5S



FJH	NO. OF POSITIONS	STYLE	OVERALL LENGTH	STRIP LENGTH
	-10, -15, -20, -25, -30, -40, -43, -50	-D = Double End -R = Reversed End	- "XX.XX" = Specify OVERALL LENGTH in inches (±1/8 inch) (-D & -R = (50.80 mm) 2.00" minimum)	-4 = (4.00 mm) .157"



Note: Stiffener color will be blue or black at Samtec's discretion.

Note: Some sizes, styles and options are non-standard, non-returnable.