

BAS21

DIODE

GENERAL PURPOSE DIODES

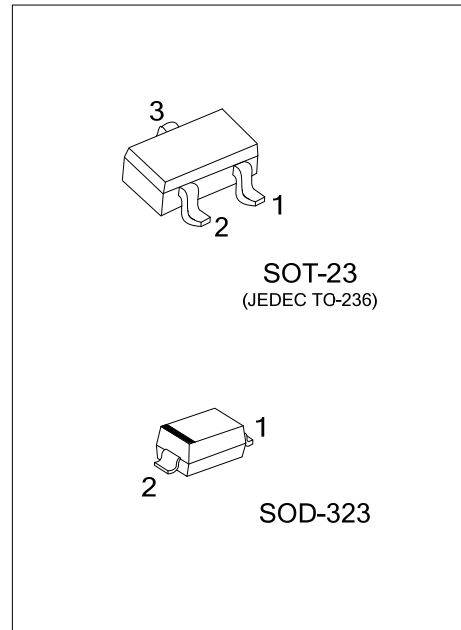
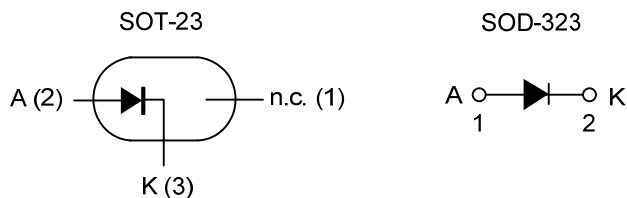
DESCRIPTION

The UTC **BAS21** is a general purpose diode using UTC's planar technology to provide customers with high current capacity and high switching speed.

FEATURES

- * High Current Capability
- * High Switching Speed

SYMBOL



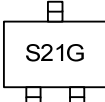

ORDERING INFORMATION

Ordering Number	Package	Pin Assignment			Packing
		1	2	3	
BAS21G-AE3-R	SOT-23	x	A	K	Tape Reel
BAS21G-CB2-R	SOD-323	A	K	-	Tape Reel

Note: Pin Assignment: A: Anode K: Cathode x: NC

<p>BAS21G-AE3-R</p> <ul style="list-style-type: none"> (1) Packing Type (2) Package Type (3) Green Package 	<ul style="list-style-type: none"> (1) R: Tape Reel (2) AE3: SOT-23, CB2: SOD-323 (3) G: Halogen Free and Lead Free
---	--

MARKING

SOT-23	SOD-323
	

■ ABSOLUTE MAXIMUM RATINGS

PARAMETER		SYMBOL	RATINGS	UNIT
Repetitive Peak Reverse Voltage		V_{RRM}	250	V
Continuous Reverse Voltage		V_R	200	V
Continuous Forward Current (Note 1)		I_F	200	mA
Repetitive Peak Forward Current		I_{FRM}	625	mA
Non-Repetitive Peak Forward Current (Square Wave, $T_J=25^\circ\text{C}$ Prior to Surge)	$t=1\mu\text{s}$	I_{FSM}	9	A
	$t=100\mu\text{s}$		3	A
	$t=10\text{ms}$		1.7	A
Power Dissipation ($T_A=25^\circ\text{C}$) (Note 1)	SOT-23	P_D	250	mW
	SOD-323		410	mW
Junction Temperature		T_J	150	$^\circ\text{C}$
Storage Temperature		T_{STG}	-65~+150	$^\circ\text{C}$

Note: Absolute maximum ratings are those values beyond which the device could be permanently damaged. Absolute maximum ratings are stress ratings only and functional device operation is not implied.

■ THERMAL CHARACTERISTICS

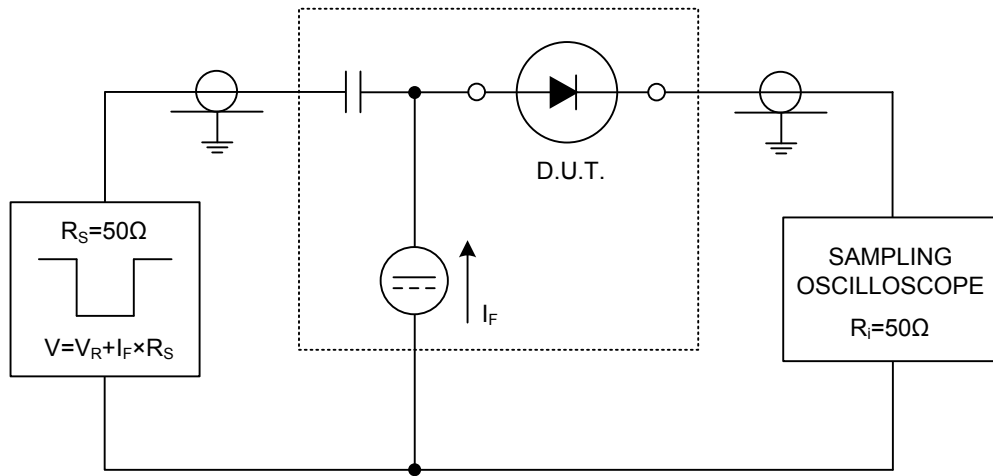
PARAMETER		SYMBOL	RATINGS	UNIT
Junction to Ambient (Note 1)	SOT-23	θ_{JA}	330	K/W
	SOD-323		200	K/W

Note: 1. Device mounted on an FR4 printed-circuit board.

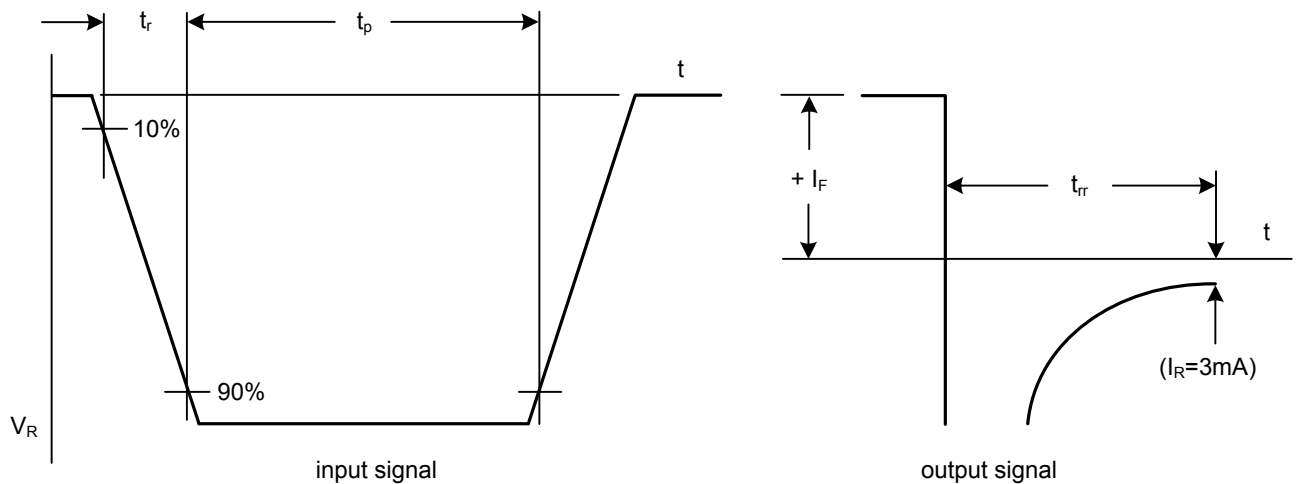
■ ELECTRICAL CHARACTERISTICS ($T_J=25^\circ\text{C}$, unless otherwise specified.)

PARAMETER	SYMBOL	TEST CONDITIONS	MIN	TYP	MAX	UNIT
Forward Voltage	V_F	$I_F=100\text{mA}$			1	V
		$I_F=200\text{mA}$			1.25	V
Reverse Current	I_R	$V_R=200\text{V}$			100	nA
		$V_R=200\text{V}$, $T_J=150^\circ\text{C}$			100	μA
Diode Capacitance	C_D	$f=1\text{MHz}$, $V_R=0$			5	pF
Reverse Recovery Time	T_{RR}	when switched from $I_F=30\text{mA}$ to $I_R=30\text{mA}$, $R_L=100\Omega$, measured at $I_R=3\text{mA}$			50	ns

■ TEST CIRCUITS AND WAVEFORMS



Reverse recovery voltage test circuit



Reverse recovery voltage waveforms

UTC assumes no responsibility for equipment failures that result from using products at values that exceed, even momentarily, rated values (such as maximum ratings, operating condition ranges, or other parameters) listed in products specifications of any and all UTC products described or contained herein. UTC products are not designed for use in life support appliances, devices or systems where malfunction of these products can be reasonably expected to result in personal injury. Reproduction in whole or in part is prohibited without the prior written consent of the copyright owner. The information presented in this document does not form part of any quotation or contract, is believed to be accurate and reliable and may be changed without notice.