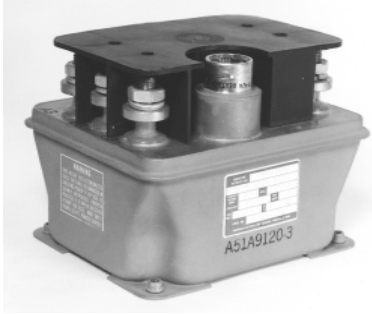
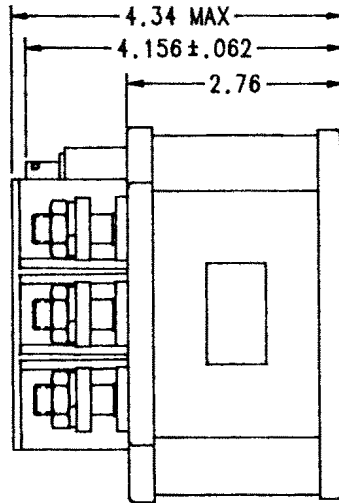
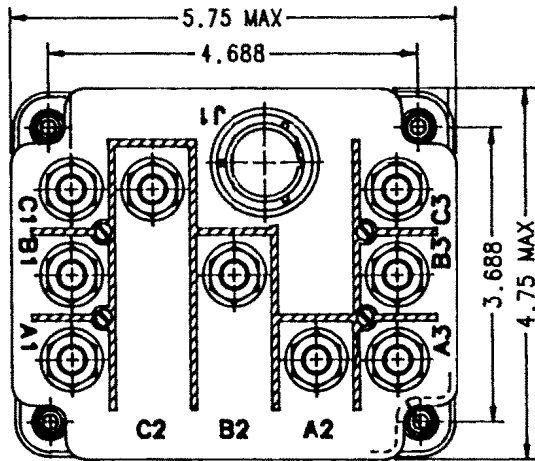


**BH-360A 3PDT, 250 Amps,
115/200 VAC, 400 Hz**



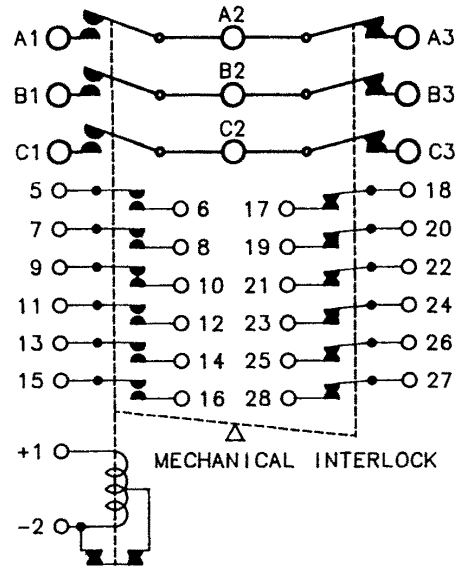
Features:

- 3PDT Main Contacts
- Mechanically Interlocked
- Hermetically Sealed
- Economizing Coil
- 115/200 VAC, 400 Hz
- 250 Amps
- High Reliability
- Meets many requirements of MIL-R-6106



Dimensions for this product are expressed in inches. Multiply values by 25.4 for millimeters.

CONTACTOR CONFIGURATION



Notes:

PRODUCT SPECIFICATIONS	
Construction:	Hermetically Seal
Main Contacts:	
Configuration	3PDT
Voltage (Nominal)	115/200 VAC, 400 Hz
Current (Resistive)	250 Amps
Auxiliary Contacts:	
Configuration	6-SPST N.O., 6-SPST N.C.
Voltage (Nominal)	28 VDC
Current	
Resistive	5 Amps
Inductive	5 Amps
Lamp	2 Amps
Coil Data:	
Duty Cycle	Continuous
Voltage (Nominal)	28 VDC
Pick-Up Voltage	18 VDC Maximum
Drop-Out Voltage	1 - 7 VDCt
Coil Current @ 28 VDC & +25°C	
Hold	6 Amps Maximum
In-Rush	0.7 Amps Maximum
Operating Temperature	-70°C to +125°C
Life:	
Electrical	50,000 Cycles
Mechanical	100,000 Cycles
Weight	5 Lbs. 6 Oz.

For factory-direct application assistance, contact the HARTMAN product team at (419) 521-9500, Fax (419) 526-2749.

© 2004 by Tyco Electronics Corporation. All Rights Reserved. HARTMAN and TYCO are trademarks.