

Absolute encoders - modular bus covers

Optical sensing, high resolution, shaft

Single and multiturn encoder 18 bit ST / 13 bit MT

CANopen / DeviceNet / EtherCAT / Profibus / SSI / fiber-optic

GBAMW, GBMMW - *multivoPlus*



GBMMW with modular bus cover

Features

- Encoder single- or multiturn / bus cover
- Optical sensing
- High total resolution max. 31 bit
- Clamping flange or synchro flange
- High resistance to shock and vibrations
- New innovative sensing technology
- Modular bus interfaces
- CANopen/DeviceNet/EtherCAT/Profibus/SSI/fibre-optic
- Code continuity check optional by bus

Technical data - electrical ratings

Voltage supply	10...30 VDC
Reverse polarity protection	Yes
Consumption w/o load	≤100 mA (24 VDC)
Initializing time (typ.)	250 ms after power on
Interfaces	Profibus-DPV0 / V2, CANopen, DeviceNet, EtherCAT, Fiber-optic bus, SSI
User address	Rotary switch in bus cover
Steps per turn	262144 / 18 bit
Absolute accuracy	±0.01°
Sensing method	Optical
Code	Binary
Code sequence	CW/CCW programmable
Interference immunity	DIN EN 61000-6-2
Emitted interference	DIN EN 61000-6-4
Programmable parameters	Steps per revolution Number of revolutions Preset Scaling Rotational direction
Diagnostic functions	Position or parameter error Multiturn sensing
Status indicator	DUO-LED integrated in bus cover
Approval	UL approval / E63076

GBAMW

Function	Singleturn
----------	------------

GBMMW

Function	Multiturn
Number of turns	8192 / 13 bit

Technical data - mechanical design

Housing	ø58 mm
Shaft	ø10 mm (clamping flange) ø6 mm (synchro flange)
Flange	Clamping or synchro flange
Protection DIN EN 60529	IP 54 without shaft seal IP 65 with shaft seal
Operating speed	≤10000 rpm (mechanical) ≤6000 rpm (electric)
Starting torque	≤0.015 Nm IP 54 ≤0.03 Nm IP 65
Rotor moment of inertia	20 gcm ²
Admitted shaft load	≤20 N axial ≤40 N radial
Materials	Housing: steel Flange: aluminium Bus cover: zinc die-cast or aluminium
Operating temperature	-25...+85 °C -40...+85 °C (optional)
Relative humidity	95 % non-condensing
Resistance	DIN EN 60068-2-6 Vibration 10 g, 16-2000 Hz DIN EN 60068-2-27 Shock 200 g, 6 ms
Weight approx.	600 g
E-connection	Bus cover

Absolute encoders - modular bus covers

Optical sensing, high resolution, shaft
Single and multiturn encoder 18 bit ST / 13 bit MT
CANopen / DeviceNet / EtherCAT / Profibus / SSI / fiber-optic

GBAMW, GBMMW - *multivoPlus*

Part number

Singleturn

GBAMW. 20

	Interface
3P32	Profibus-DPV0 / cable gland
3PA2	Profibus-DPV0 / connector M12
3V32	Profibus-DPV2 / cable gland
3VA2	Profibus-DPV2 / connector M12
EPA2	EtherCAT / connector M12
5P32	CANopen / cable gland
5PA2	CANopen / connector M12
8P22	DeviceNet / cable gland
8PA2	DeviceNet / connector M12
LM32	Fiber-optic / cable gland
2PA2	SSI / connector M12
Flange / Shaft	
0	Clamping flange / ø10 mm IP 54
A	Clamping flange / ø10 mm IP 65
1	Synchro flange / ø6 mm IP 54
B	Synchro flange / ø6 mm IP 65

Multiturn

GBMMW. 20

	Interface
3P32	Profibus-DPV0 / cable gland
3PA2	Profibus-DPV0 / connector M12
3V32	Profibus-DPV2 / cable gland
3VA2	Profibus-DPV2 / connector M12
EPA2	EtherCAT / connector M12
5P32	CANopen / cable gland
5PA2	CANopen / connector M12
8P22	DeviceNet / cable gland
8PA2	DeviceNet / connector M12
LM32	Fiber-optic / cable gland
2PA2	SSI / connector M12
Flange / Shaft	
0	Clamping flange / ø10 mm IP 54
A	Clamping flange / ø10 mm IP 65
1	Synchro flange / ø6 mm IP 54
B	Synchro flange / ø6 mm IP 65

CD with file descriptions is not included in the delivery. You may order them on CD as accessory free-of-charge under part number Z 150.022. Matching bus covers are listed in the chapter "Accessories".

Accessories

Connectors and cables

Z 119.034 Connector for data cable fibre-optic

Mounting accessories

Z 119.006 Eccentric fixing, single

Z 119.013 Adaptor plate for clamping flange for modification into synchro flange

Z 119.015 Mounting adaptor for synchro flange

Z 119.017 Mounting angle for clamping flange

Z 119.035 Bearing flange for encoders with synchro flange

Programming accessories

Z 150.022 CD with describing files & manuals

Z 139.008 Programming cable for encoders with SSI bus cover, CD with software and manual

Absolute encoders - modular bus covers

Optical sensing, high resolution, shaft

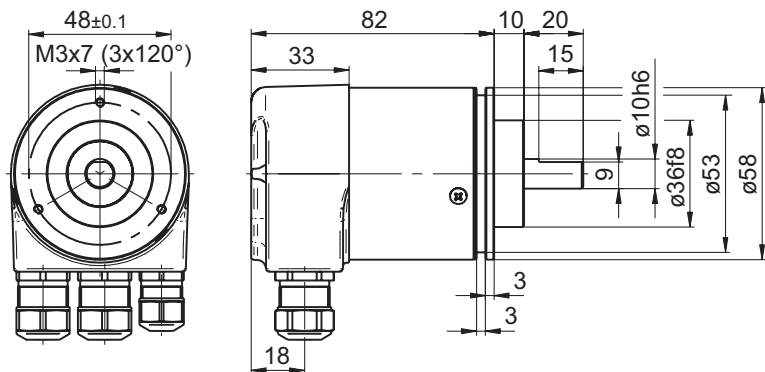
Single and multiturn encoder 18 bit ST / 13 bit MT

CANopen / DeviceNet / EtherCAT / Profibus / SSI / fiber-optic

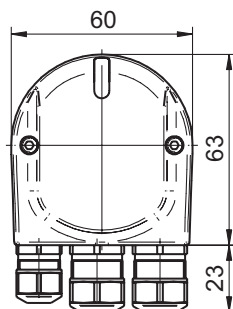
GBAMW, GBMMW - multivoPlus

Dimensions

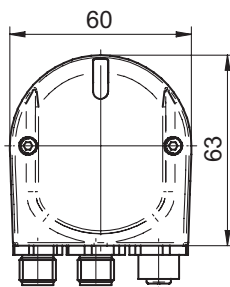
GBAMW, GBMMW clamping flange



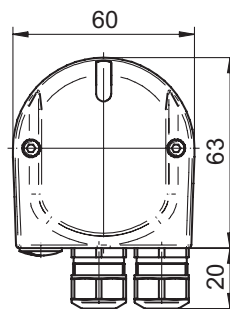
Profibus-DP, CANopen



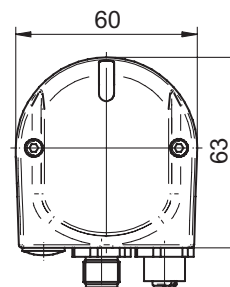
Profibus-DP - M12



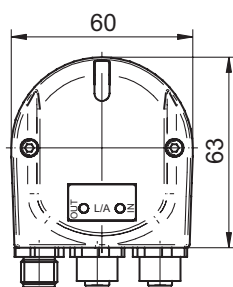
DeviceNet



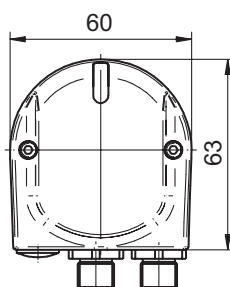
CANopen, DeviceNet M12



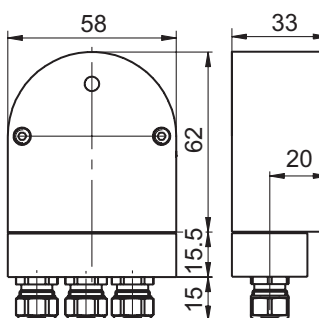
EtherCAT



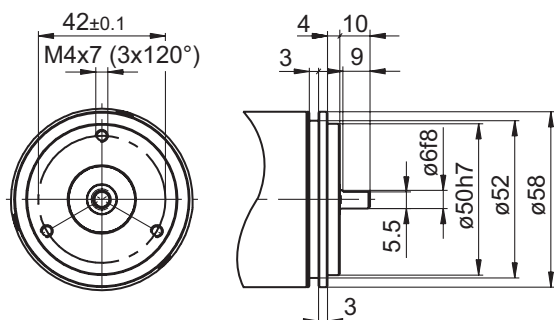
SSI



Fibre-optic



GBAMW, GBMMW synchro flange



Absolute encoders - modular bus covers

Optical sensing, high resolution, shaft
Single and multiturn encoder 18 bit ST / 13 bit MT
CANopen / DeviceNet / EtherCAT / Profibus / SSI / fiber-optic

GBAMW, GBMMW - *multivoPlus*
